

1376109-1 ✓ ACTIVE

AMP | TH/.025 Connector System

TE Internal #: 1376109-1

Automotive Terminals, Tab, Mating Tab Width .64 mm [.025 in], Tab

Thickness .64 mm [.025 in], 24 – 20 AWG Wire Size, TH/.025

Connector System

[View on TE.com >](#)



Terminals & Splices > Automotive Terminals > TH/.025 CONNECTOR SYSTEM, RECPT AND TAB



Terminal Type: **Tab**

Mating Tab Width: **.64 mm [.025 in]**

Mating Tab Thickness: **.64 mm [.025 in]**

Terminal Transmits: **0 – 24 A (Low Power)**

Wire Size: **24 – 20 AWG**

[All TH/.025 CONNECTOR SYSTEM, RECPT AND TAB \(27\)](#)

Features

Product Type Features

| | |
|-------------------------|---------------|
| Receptacle Style | 180° |
| Sealable | No |
| Primary Locking Feature | Locking Lance |

Contact Features

| | |
|------------------------|------------------|
| Contact Size | .64mm |
| Contact Fabrication | Stamped & Formed |
| Typical Current Rating | 4 A |
| Crimp Type | F-Crimp |
| Terminal Type | Tab |
| Mating Tab Width | .64 mm[.025 in] |
| Mating Tab Thickness | .64 mm[.025 in] |
| Interface Plating | Tin (Sn) |

Termination Features

| | |
|------------------------------------|-------|
| Termination Method to Wire & Cable | Crimp |
| Product Terminates To | Wire |

Dimensions

| | |
|--------------------------------------|------------------------------|
| Compatible Insulation Diameter Range | .95 – 1.6 mm[.037 – .067 in] |
|--------------------------------------|------------------------------|



| | |
|-----------|---------------------------|
| Wire Size | .22 – .56 mm ² |
|-----------|---------------------------|

| | |
|------------------|--|
| Wire Size Search | 20 AWG, 21 AWG, 22 AWG, 23 AWG, 24 AWG |
|------------------|--|

Usage Conditions

| | |
|-------------------|-------------|
| Insulation Option | Uninsulated |
|-------------------|-------------|

| | |
|-----------------------------|--|
| Operating Temperature (Max) | 80 °C, 85 °C, 90 °C, 100 °C, 105 °C [176 °F] [185 °F][194 °F][212 °F][221 °F] |
|-----------------------------|--|

| | |
|-----------------------------|-----------------------------|
| Operating Temperature Range | -30 – 105 °C [-22 – 221 °F] |
|-----------------------------|-----------------------------|

Operation/Application

| | |
|------------------------------------|--------|
| Compatible With Wire Base Material | Copper |
|------------------------------------|--------|

Packaging Features

| | |
|--------------------|-------|
| Packaging Quantity | 10000 |
|--------------------|-------|

| | |
|------------------|------|
| Packaging Method | Reel |
|------------------|------|

Other

| | |
|--------------------|----------------------|
| Terminal Transmits | 0 – 24 A (Low Power) |
|--------------------|----------------------|

Product Compliance

[For compliance documentation, visit the product page on TE.com>](#)

| | |
|------------------------------|-----------|
| EU RoHS Directive 2011/65/EU | Compliant |
|------------------------------|-----------|

| | |
|-----------------------------|-----------|
| EU ELV Directive 2000/53/EC | Compliant |
|-----------------------------|-----------|

| | |
|---|---|
| China RoHS 2 Directive MIIT Order No 32, 2016 | No Restricted Materials Above Threshold |
|---|---|

| | |
|--|--|
| EU REACH Regulation (EC) No. 1907/2006 | Current ECHA Candidate List: JUNE 2023 (235) Candidate List Declared Against: JAN 2023 (233) Does not contain REACH SVHC |
|--|--|

| | |
|-----------------|---|
| Halogen Content | Low Halogen - Br, Cl, F, I < 900 ppm per homogenous material. Also BFR/CFR/PVC Free |
|-----------------|---|

| | |
|---------------------------|--|
| Solder Process Capability | Not applicable for solder process capability |
|---------------------------|--|

Product Compliance Disclaimer

This information is provided based on reasonable inquiry of our suppliers and represents our current actual knowledge based on the information they provided. This information is subject to change. The part numbers that TE has identified as EU RoHS compliant have a maximum concentration of 0.1% by weight in homogenous materials for lead, hexavalent chromium, mercury, PBB, PBDE, DBP, BBP, DEHP, DIBP, and 0.01% for cadmium, or qualify for an exemption to these limits as defined in the Annexes of Directive 2011/65/EU (RoHS2). Finished electrical and electronic equipment products will be CE marked as required by Directive 2011/65/EU. Components may not be CE marked. Additionally, the part numbers that TE has identified as EU ELV compliant have a maximum concentration of 0.1% by weight in homogenous

materials for lead, hexavalent chromium, and mercury, and 0.01% for cadmium, or qualify for an exemption to these limits as defined in the Annexes of Directive 2000/53/EC (ELV). Regarding the REACH Regulation, the information TE provides on SVHC in articles for this part number is based on the latest European Chemicals Agency (ECHA) 'Guidance on requirements for substances in articles' posted at this URL: <https://echa.europa.eu/guidance-documents/guidance-on-reach>

Compatible Parts



TE Part # 2305570-1
Strip Terminal Cutter-Side Feed-No Crimp



TE Part # CAT-T319-CH8172
TH/.025 CONNECTOR SYSTEM, HOUSING



TE Part # 2151494-1
OCEAN_2.0_APPLICATOR-S-055F055F



TE Part # 4-1579008-5
EXTRACTION TOOL



TE Part # 1366865-1
EXT-TOOL FOR 025 TAB



TE Part # 2-2151494-1
OCEAN_2.0_APPLICATOR-S-055F055F



TE Part # 2-2151494-2
OCEAN_2.0_APPLICATOR-S-055F055F



TE Part # 2151494-2
OCEAN_2.0_APPLICATOR-S-055F055F



TE Part # 5-2151494-1
OCEAN_2.0_APPLICATOR-S-055F055F



TE Part # 5-2151494-2
OCEAN_2.0_APPLICATOR-S-055F055F



TE Part # 7-2151494-1
OCEAN_2.0_APPLICATOR-S-055F055F



TE Part # 7-2151494-2
OCEAN_2.0_APPLICATOR-S-055F055F



KIT
TE Part # 7-2151494-7
OCEAN_2.0_SPARE_PART_KIT-055F055F



KIT
TE Part # 7-2836361-7
OC-140F140F-752-CRIMP TOOLING KIT



TE Part # 7-1579014-2
HT11K HAND TOOL TH 0.25 CONTACTS

TE Part # 2-1722368-6
ISOLATION CRIMP PLATE

Also in the Series | TH/.025 Connector System



Automotive Connector Caps & Covers (6)



Automotive Housings(223)



Automotive Terminals(26)



Connector Seals & Cavity Plugs(2)



Insertion & Extraction Tools(4)



Other Automotive Connector Accessories(5)

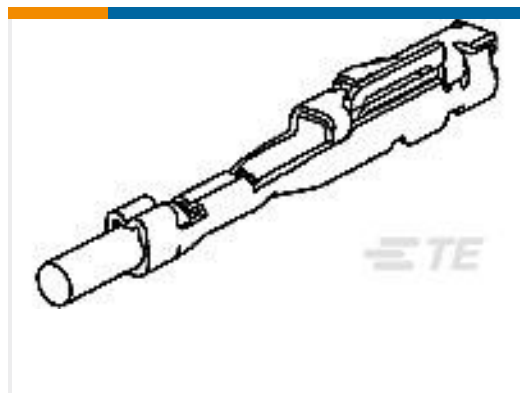


PCB Headers & Receptacles(163)

Customers Also Bought



TE Part #1473793-1
TH/.025 CONNECTOR SYSTEM,
HOUSING



TE Part #1123343-1
025 REC CONTACT



TE Part #770087-1
06P .093 COMM P&S RECPT HSG



TE Part #1366865-1
EXT-TOOL FOR 025 TAB



TE Part #1674311-7
0.64 III RCPT 3 Serrations Pre-Tin



TE Part #1674936-5
0.64 III RCPT NON SEALED TIN (S)



TE Part #1612124-8
1DIA SOCKET AU

Documents

Product Drawings

025 TAB CONT

Japanese

CAD Files

3D PDF

3D

Customer View Model

ENG_CVM_CVM_1376109-1_K.2d_dxf.zip



English

Customer View Model

[ENG_CVM_CVM_1376109-1_K.3d_igs.zip](#)

English

Customer View Model

[ENG_CVM_CVM_1376109-1_K.3d_stp.zip](#)

English

By downloading the CAD file I accept and agree to the [Terms and Conditions](#) of use.

Datasheets & Catalog Pages

[TH/.025 Connector Series](#)

English

Product Specifications

[Application Specification](#)

Japanese

[.025 IDC Connectors](#)

Japanese

[Application Specification](#)

Japanese

[Application Specification](#)

Japanese

Instruction Sheets

[Instruction Sheet \(non U.S.\)](#)

Japanese

[025 Wire to Wire Connector](#)

Japanese

[Instruction Sheet \(non U.S.\)](#)

Japanese

[025 Wire to Wire Connector](#)

Japanese

[025 WIRE TO WIRE MALE CONNECTOR](#)

Japanese

[Instruction Sheet \(non U.S.\)](#)

Japanese

[025 WIRE TO WIRE MALE CONNECTOR](#)

Japanese

[Instruction Sheet \(non U.S.\)](#)

Japanese