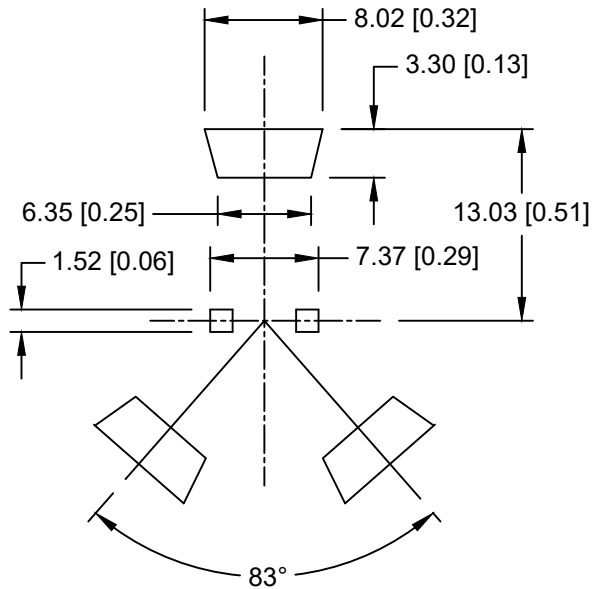
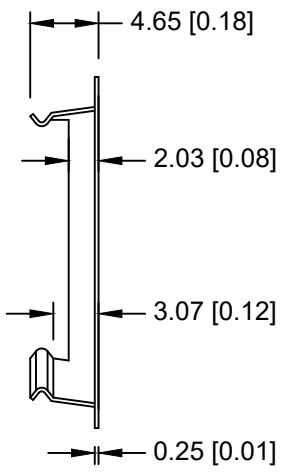
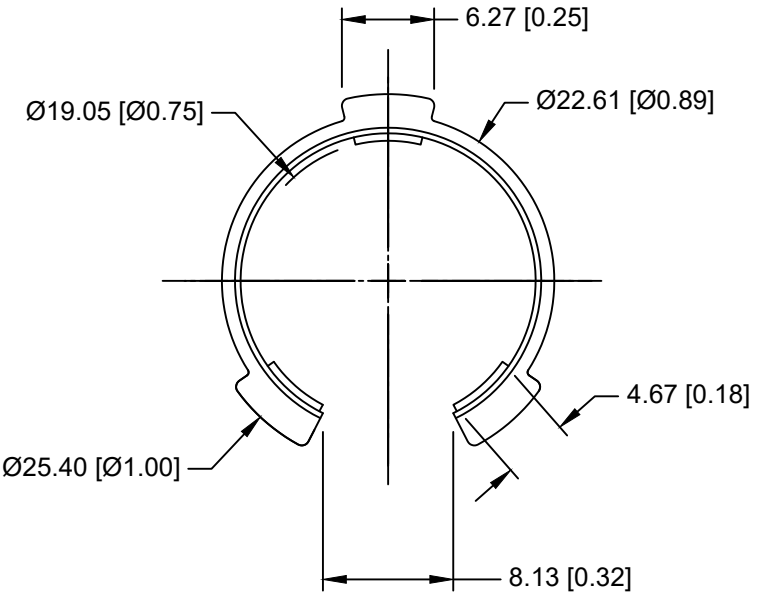



Date	SYM	REVISION RECORD	AUTH	DR.	CK.
03/26/19	A	Updated to "ROHS Compliant"	T.B.	B.S.	
05/12/21	B	Added patent number	T.B.	B.S.	



NOTES:

- * Material- 0.25mm Phosphor Bronze, Nickel plated.
 - * Vibration test: 10-50-10 hz swept in 60 seconds
x,y,z direction: 1 hour each direction
 - * Result: no dislodgement of the cell or damage
no discontinuity over 10 micro-seconds
 - * Shock test: half sine wave acceleration 150g.
6 ms 1 shock pulses each direction per axis
 - * Result: no evidence of physical damage
 - * Drop Test: Mounted on board and dropped 1 time per direction
from 1m high to wooden floor
 - * Result: No dislodgement of the cell, No damage to the holders
 - * Approximate weight: 0.48g
- Patent number: USA 11,018,394
* ROHS COMPLIANT

CELL SIZE	RETAINS BATTERY NUMBERS		
20mm	BR2032, CR2032, DL2032, LIR2032, BR2025, CR2025, DL2025, LIR2025		
Tolerance (Except as noted)	 Memory Protection Devices, Inc 200 Broad Hollow Road, Farmingdale, New York 11735		
decimal ±.5 (.020)	Scale	Drawn By B.S.	
Fractional ± .8 (.030)	Title	Approved By T.B.	
Angular ± 3°	Date 05/12/21	Drawing Number BC-2600	