



Technical specification:

Rated voltage: 4pol 5pol
IEC 61076-2-101 240 V 60 V

Current rating: 4 A at 40°C
IEC 61076-2-101

Insulation resistance: >=100 MΩ
IEC 60512

Pollution degree: 3/2
IEC 60664-1

Degree of protection: IP 67, in mated condition
IEC 60529

Temperature range: -30°C ... +80°C
IEC 60664-1

Mating cycles: >=100
IEC 60512-9a

Materials:

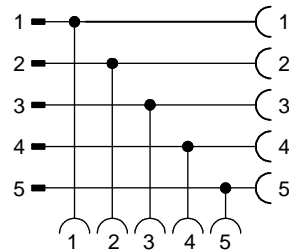
Contact: CuZn
Contact plating: Nickel, gold plated
Contact carrier: TPU GF, UL 94
Sealing: FPM
Coupling nut/screw: GD-Zn, nickel plated screw
Moulding body: TPU, UL 94, grey

Installation specification:

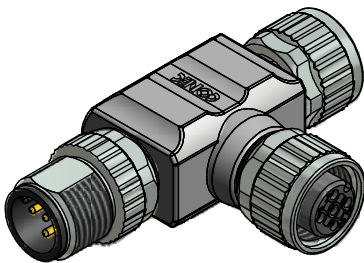
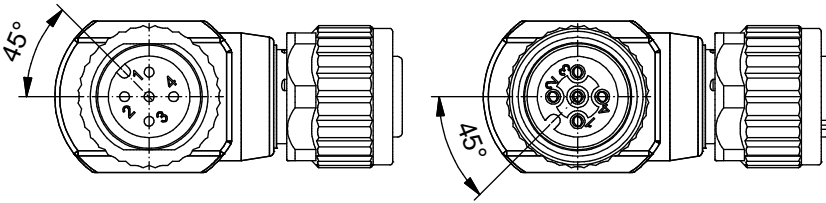
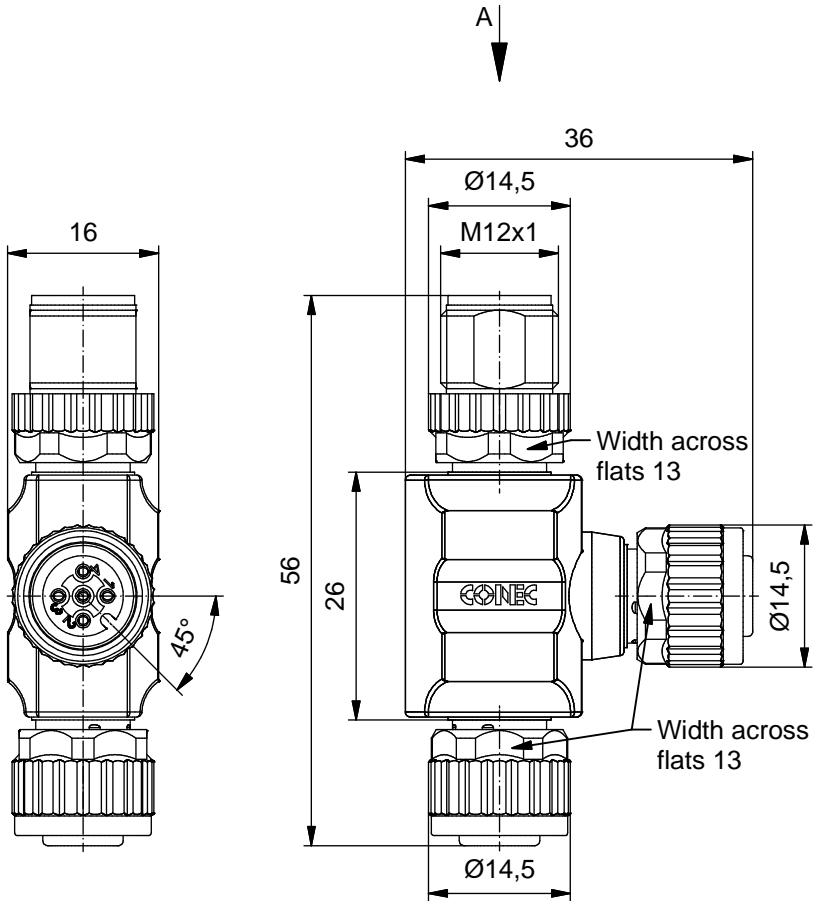
Recommended torque: 0,6 Nm

Conec installation tool: Torque wrench: 36-000200
Insert across flats 13: 36-000220

Contact assignment:



Part no:	Description:
43-05114	SAL - 12 - TS5.1 - TK5.1 - TK5.1



DO NOT ALTER CAD DRAWING BY HAND
Directive 2002/95/EC RoHS compliant

tolerance of cable:	
general tolerance:	0 ± 0,50mm 0,0 ± 0,25mm 0,00 ± 0,10mm
THIS DRAWING MAY NOT BE COPIED OR REPRODUCED IN ANY WAY, AND MAY NOT BE PASSED ON TO A THIRD PARTY WITHOUT WRITTEN PERMISSION. OWNERSHIP AND COPYRIGHT OF CONEC GmbH	

dim. in mm

	date	name
drawn	24.08.11	Franz
appd.	24.08.11	Mankopf

CONEC®

title:	Adapter, male connector M12x1 - 2x female connector M12x1
dwg no:	43K1A1432
part no:	see table

