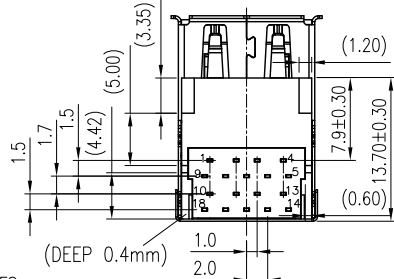
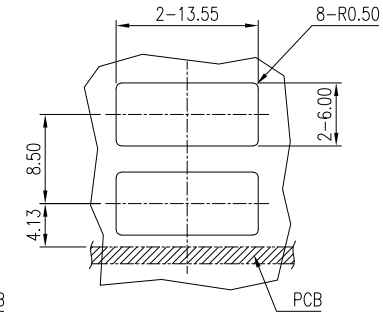
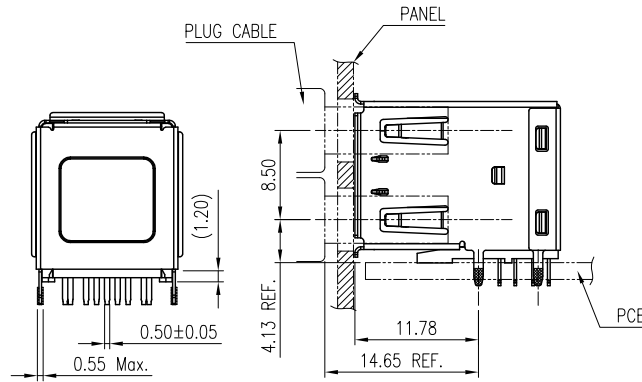
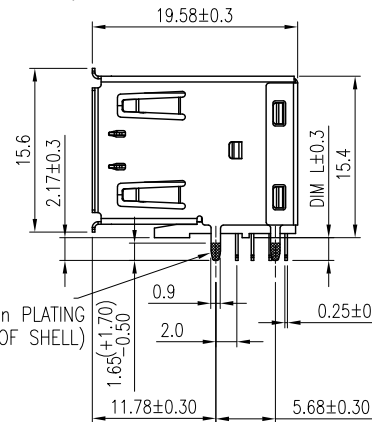
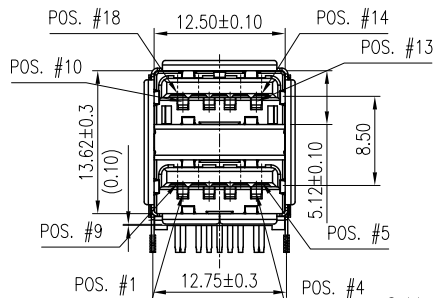
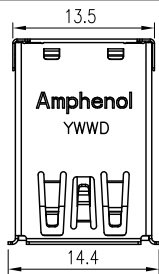
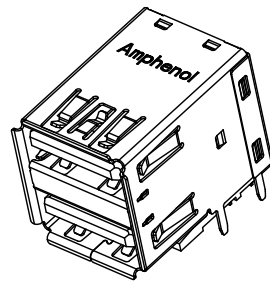


This document is the property of Amphenol Corporation and is delivered on the express condition that is not to be disclosed, reproduced or used, in whole or in part, for manufacture or sale by anyone other than Amphenol Corporation without its prior consent, and that no right is granted to disclose or to use any information in this document.

The marking on this product doesn't contain environmental hazardous materials per directive 2011/65/EU & 2015/863/EU for RoHS compliant and per IEC 61249-2-21 for Halogen-Free compliant.

ORIGINAL

REVISIONS				
SYM	ECN No.	DESCRIPTION	DATE	BY
A	NE-21221	RELEASE TO PRODUCTION	2021-11-29	Debby Hung



Solder Area: Tin PLATING
(NOT PLATED TO BOTTOM EDGE OF SHELL)

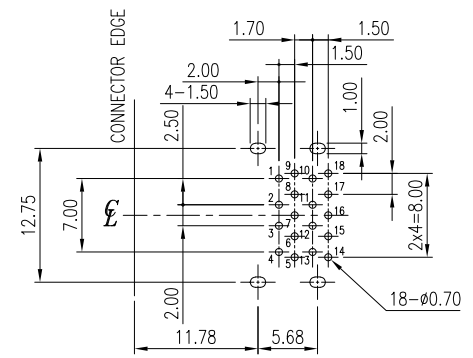
PART NUMBER:
GSB3 112 X X X P1HR

CONTACT FINISH
3: 30μ" GOLD DIM L
1: 2.17mm

INSULATOR AND COLOR
1: LCP, Blue
3: LCP, Black

PIN #	PIN #	SIGNAL NAME
1	10	VBUS
2	11	D-
3	12	D+
4	13	GND
5	14	SSRX-
6	15	SSRX+
7	16	GND_DRAIN
8	17	SSTX-
9	18	SSTX+
SHELL		SHIELD

PIN ASSIGNMENT



RECOMMENDED PCB LAYOUT- TOP VIEW
(GENERAL TOLERANCE: ±0.05)

- NOTES:
- HOUSING: HIGH TEMPERATURE THERMOPLASTIC, UL 94V-0, COLOR- BLUE (PANTONE 300C) OR BLACK
 - BOTTOM COVER: HIGH TEMPERATURE THERMOPLASTIC, UL 94V-0, COLOR- BLUE (PANTONE 300C) OR BLACK
 - CONTACT: COPPER ALLOY, 0.25±0.03mm THICKNESS, 30μ" MIN. GOLD PLATED ON CONTACT AREA, 120μ" MIN. MATTE TIN PLATED ON SOLDERING TAIL, 80μ" MIN. NICKEL UNDER-PLATED OVERALL
 - FRONT SHELL: STAINLESS STEEL, 0.25±0.03mm THICKNESS, 30μ" MIN. NICKEL PLATED OVER ALL 100μ" MIN. MATTE TIN PLATED ON SOLDERING TAIL,
 - MIDDLE SHELL: STAINLESS STEEL, 0.25±0.03mm THICKNESS,
 - REAR SHELL: STAINLESS STEEL, 0.2±0.03mm THICKNESS,
 - THIS PRODUCT DOESN'T CONTAIN ENVIRONMENTAL HAZARDOUS PER DIRECTIVE 2011/65/EU & 2015/863/EU FOR RoHS COMPLIANT. AND PER IEC 61249-2-21 FOR HALOGEN-FREE COMPLIANT.

TOLERANCE	APPROVALS	DATE	TITLE	UNIT	SIZE	PART No.
X. ±0.30	DRAWN Debby Hung	2021-11-29	USB 3.0 CONNECTOR STANDARD A, STACKED, R/A DIP TYPE	mm	A3	GSB3112XXXP1HR
X.X ±0.20	CHECKED Sandy Wu	2021-11-29				
X.XXX ±0.10	APPROVED Roger Tsai	2021-11-29				
ANGULAR ±1°	DWG TYPE CUST DWG	PROJECT CODE OTHER		SCALE NA	SHEET 1 OF 2	DWG No. GSB3112XXXP1HR
UNLESS OTHERWISE SPECIFIED						REV. A

Amphenol®

Amphenol Corporation
Amphenol Taiwan Corporation

This document is the property of Amphenol Corporation and is delivered on the express condition that is not to be disclosed, reproduced or used, in whole or in part, for manufacture or sale by anyone other than Amphenol Corporation without its prior consent, and that no right is granted to disclose or to use any information in this document.

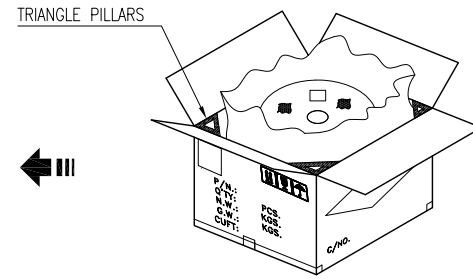
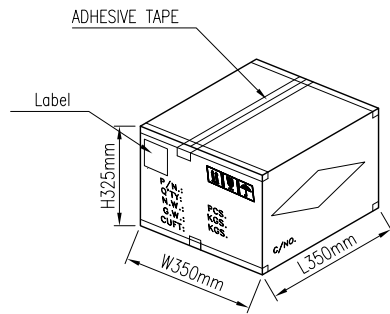
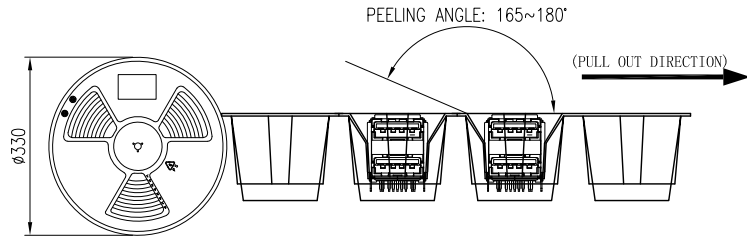
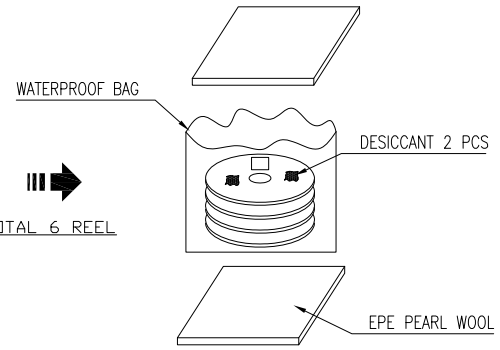
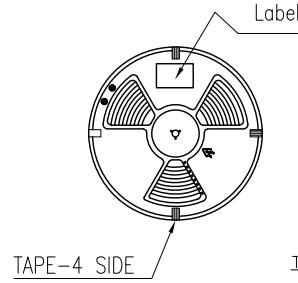
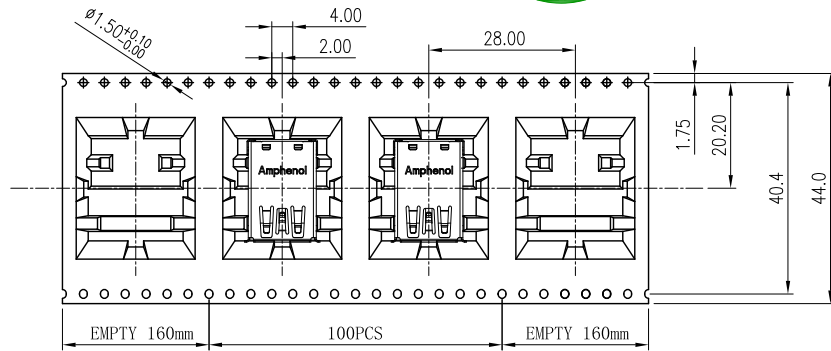
The marking on this product doesn't contain environmental hazardous materials per directive 2011/65/EU & 2015/863/EU for RoHS compliant and per IEC 61249-2-21 for Halogen-Free compliant.



ORIGINAL



REVISIONS				
SYM	ECN No.	DESCRIPTION	DATE	BY
A	NE-21221	RELEASE TO PRODUCTION	2021-11-29	Debby Hung



PACKAGING BY T&R	5.13	3.56	100	6	600	GSB3112XXXP1HR
	G/W KG	N/W KG	PCS/ REEL	REELS/ BOX	QUANTITY (PCS)	PART NUMBER

TOLERANCE	APPROVALS	DATE	TITLE	Amphenol® Amphenol Corporation Amphenol Taiwan Corporation		
X. ±0.30	DRAWN Debby Hung	2021-11-29	USB 3.0 CONNECTOR STANDARD A, STACKED, R/A DIP TYPE	UNIT	SIZE	PART No.
X.X ±0.20	CHECKED Sandy Wu	2021-11-29		mm	A3	GSB3112XXXP1HR
X.XXX ±0.10	APPROVED Roger Tsai	2021-11-29		SCALE	SHEET	DWG No.
ANGULAR ±1°	DWG TYPE CUST DWG	PROJECT CODE OTHER		NA	2 OF 2	GSB3112XXXP1HR
UNLESS OTHERWISE SPECIFIED						REV. A