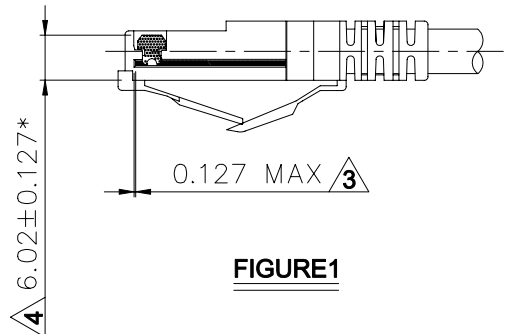
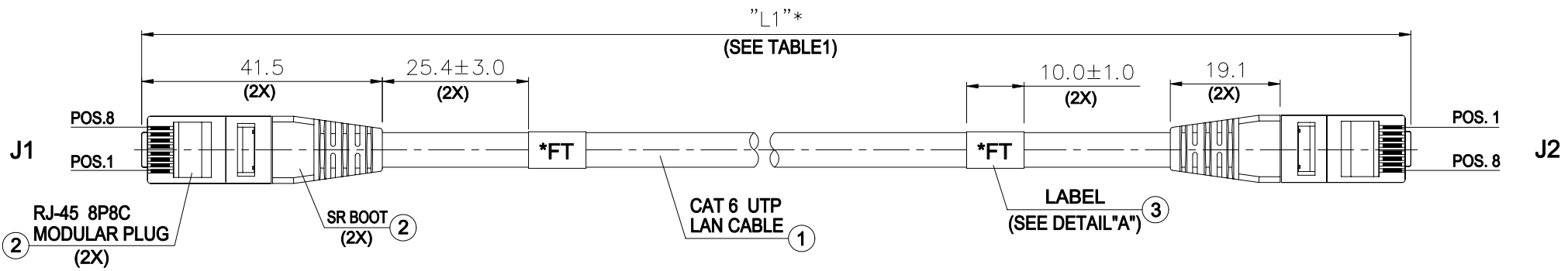


Revisions			
REV.	ECN NO.	Description	DATE
x1		INITIAL RELEASE	07/09'15



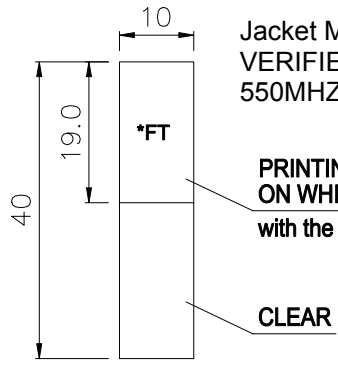
Colors Available:  
 Blue  
 Black  
 Green  
 Gray  
 Orange  
 Red  
 White  
 Purple  
 Yellow

Jacket Marking: Clearfit® E475542 S (UL) CM 75 4PR 24AWG ETL  
 VERIFIED TO ANSI/TIA-568-C.2 CAT.6 PATCH CABLE UTP  
 550MHZ -- -xxxxFT

Cable built to pass component level testing

WIRE CONNECTION TABLE (T568B):

J1		J2
1	WHITE / ORANGE	1
2	ORANGE	2
3	WHITE / GREEN	3
6	GREEN	6
5	WHITE / BLUE	5
4	BLUE	4
7	WHITE / BROWN	7
8	BROWN	8



DETAIL "A"  
 SCALE 1:1

NO.	ITEM	Q'TY	DESCRIPTION
3	LABEL	2PCS	W=10.0MM, L=40.0MM.
2	RJ-45 8P8C MODULAR PLUG	2SETS	CONTACT: 50u" GOLD PLATED; BODY: PC, NATURAL UL94V-2; INSULATOR APERTURE: ID=Ø1.0MM; SR BOOT: ID.=Ø6.5mm, L=19.1mm. COLOR: CLEAR.
1	CAT 6 UTP LAN CABLE	1PC	#24(7/0.20)*4P+CROSS(PE)+JACKET: PVC, COLOR: SEE TABLE 1, OD=Ø6.0±0.15MM, UL CM.

METRIC	ANGLES	RFQ NO.	DWG NO.	TITLE:	REV.	x1	UNIT:	mm
.XX±0.20	.X° ±0.5°	DATE: Jul.09 '15	SHEET 1 OF 3	ClearFit Cat6 Patch Cable				
.X±0.50	.° ±1°	CUSTOMER:					SCALE:	Free
.1.0							SP P/N:	
SYMBOL	Q'TY	DESCRIPTION			Drawn :			
☒		CRITICAL DIMENSION			Checked :		OU 07/09'15	
*		MAJOR DIMENSION			Approval:			

