

MATERIALS AND FINISHES:

BODY, COUPLING NUT: ZINC ALLOY  
PLATED NICKEL

CONTACT (PLUG): BRASS  
CONTACT (JACK): PHOSPHOR BRONZE  
PLATED GOLD

INSULATOR (PLUG & JACK): POLYPROPYLENE

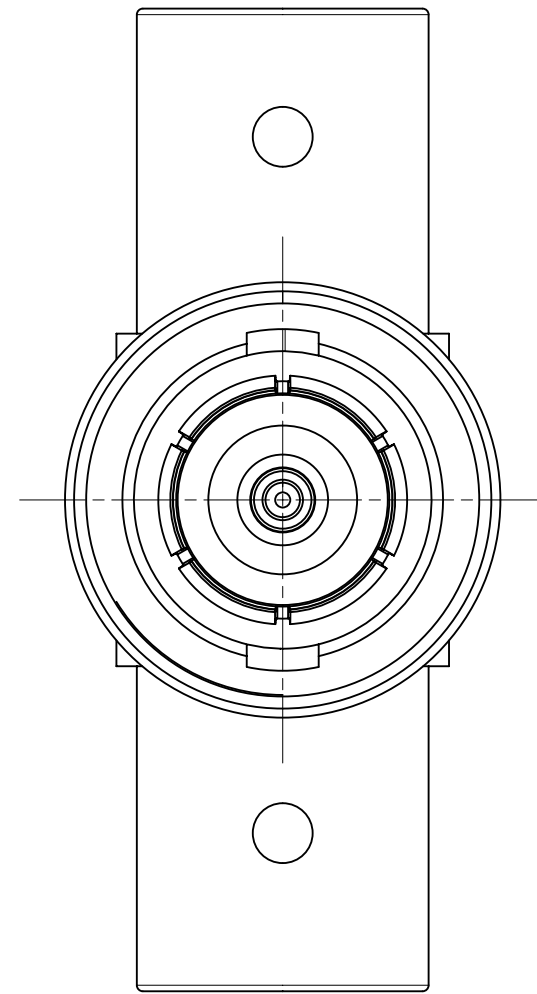
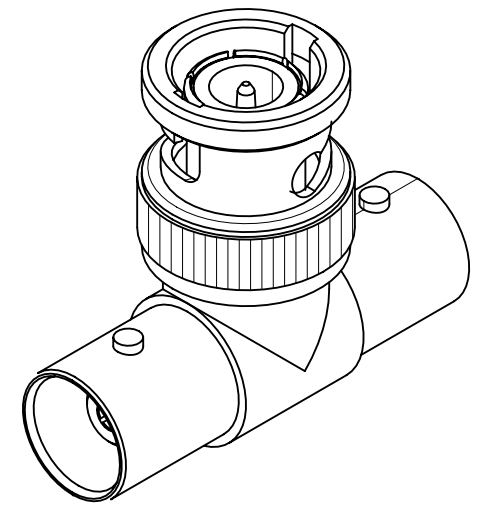
OUTER CONTACT: BRASS  
PLATED NICKEL

GASKET: SILICONE RUBBER

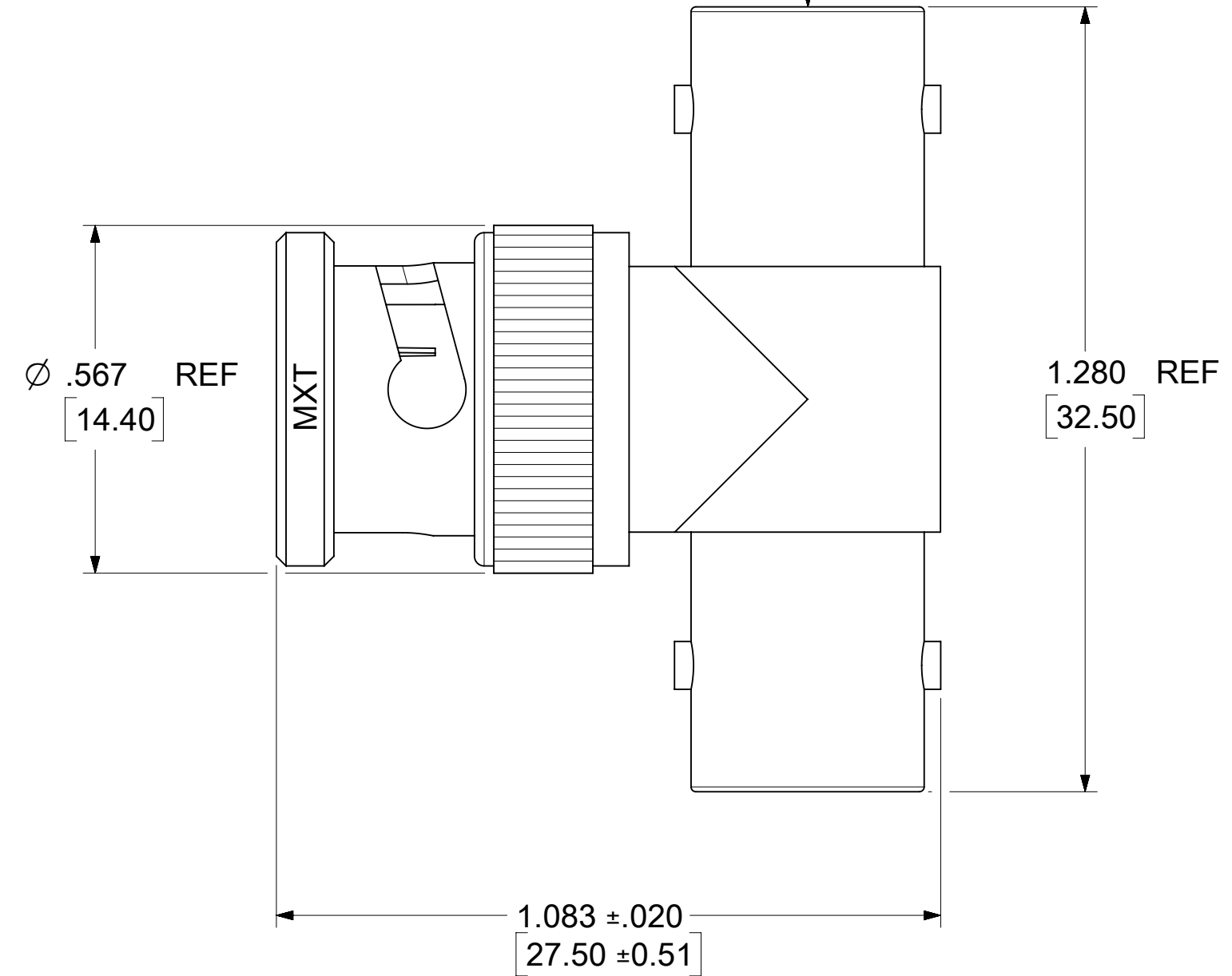
RETAINING RING: BRASS  
PLATED NICKEL

WASHER: BRASS  
PLATED NICKEL

SPRING WASHER: BERYLLIUM COPPER



CONNECTOR INTERFACE  
PER MOLEX ENGINEERING STANDARD  
ES-73599-0000 (3 PLACES)



LABEL WITH EACH BAG  
FOR 73148-5003

MOLEX P/N: 73148-5003  
DATE: YYWW

LABEL WITH EACH BAG  
FOR 73171-6950

MOLEX P/N: 73171-6950  
DATE: YYWW

73171-6950	73148-5003 ONE PER BAG
73148-5003	ONE PER BAG
PART NO.	PACKAGING

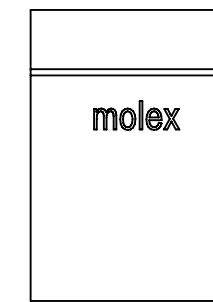
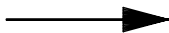
PS-73598-0016	PRODUCT SPECIFICATION
ES-73599-0000-001	BNC PLUG INTERFACE
ES-73599-0000-000	BNC JACK INTERFACE
SPECIFICATION	DESCRIPTION

DOCUMENT STATUS	P1	RELEASE DATE	2021/04/21	06:23:46
-----------------	----	--------------	------------	----------

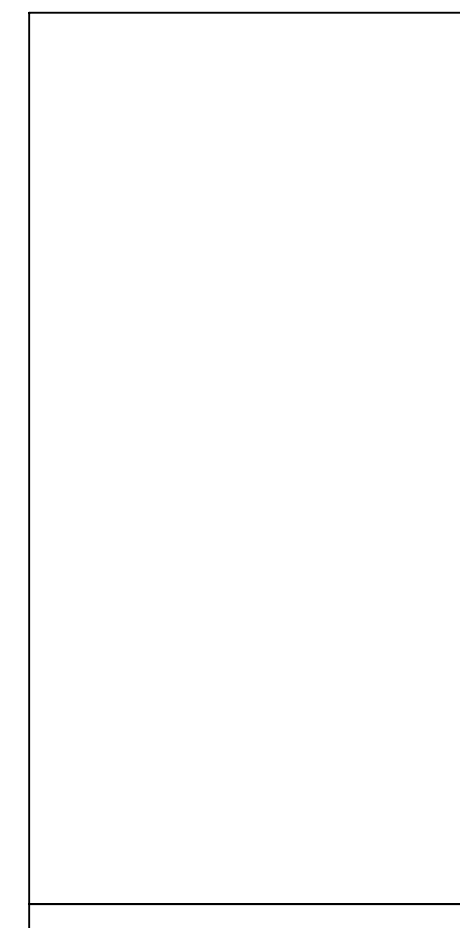
THIS DRAWING CONTAINS INFORMATION THAT IS PROPRIETARY TO MOLEX ELECTRONIC TECHNOLOGIES, LLC AND SHOULD NOT BE USED WITHOUT WRITTEN PERMISSION										
DIMENSION UNITS	SCALE	CURRENT REV DESC: ADD LABEL FOR 73148-5003 & 73171-6950 PER EWR #14242-H					<b>molex</b>			
INCH/MM	NTS									
GENERAL TOLERANCES (UNLESS SPECIFIED)							50 OHM BNC TEE ADAPTOR (J-P-J) BNC-ADP/JPJ			
ANGULAR TOL ± 2.0°		EC NO: 660983					PRODUCT CUSTOMER DRAWING			
4 PLACES	±	DRWN: RYEH 2021/03/25					DOCUMENT NUMBER			
3 PLACES	±	CHK'D: YCHENG 2021/04/21					SD-73148-5003			
2 PLACES	±	APPR: YCHENG 2021/04/21					DOC TYPE			
1 PLACE	±	INITIAL REVISION:					PSD			
0 PLACES	±	DRWN: ELIN 2007/06/15					DOC PART			
DRAFT WHERE APPLICABLE MUST REMAIN WITHIN DIMENSIONS		THIRD ANGLE PROJECTION		DRAWING		SERIES		SHEET NUMBER		
		C-SIZE		73148		GENERAL MARKET		1 OF 3		



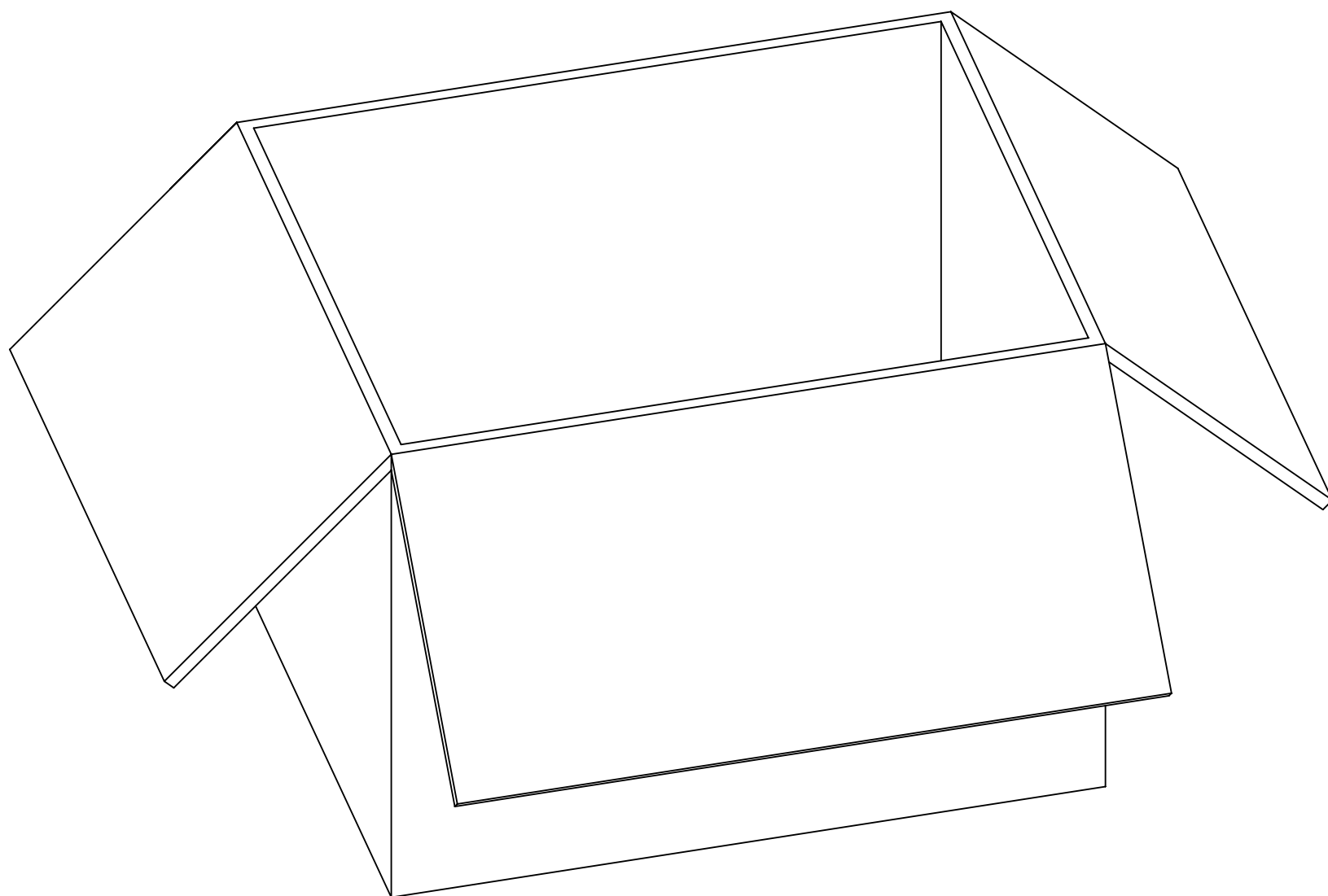
P/N: 73148-5003



1 SET PER BAG  
P/N: 89707-0135



50 SETS PER BAG  
P/N: 89707-0174



500 SETS PER CARTON BOX  
P/N: 89499-9027

THIS DRAWING CONTAINS INFORMATION THAT IS PROPRIETARY TO MOLEX ELECTRONIC TECHNOLOGIES, LLC AND SHOULD NOT BE USED WITHOUT WRITTEN PERMISSION

DIMENSION UNITS		SCALE		CURRENT REV DESC: ADD LABEL FOR 73148-5003 & 73171-6950 PER EWR #14242-H				<b>molex</b>					
INCH/MM		NTS											
GENERAL TOLERANCES (UNLESS SPECIFIED)								50 OHM BNC TEE ADAPTOR (J-P-J) BNC-ADP/JPJ					
ANGULAR TOL ± 2.0°													
4 PLACES		±		EC NO: 660983				PRODUCT CUSTOMER DRAWING					
3 PLACES		±		DRWN: RYEH		2021/03/25							
2 PLACES		±		CHK'D: YCHENG		2021/04/21							
1 PLACE		±		APPR: YCHENG		2021/04/21		DOCUMENT NUMBER <b>SD-73148-5003</b>					
0 PLACES		±		INITIAL REVISION:									
DRAFT WHERE APPLICABLE MUST REMAIN WITHIN DIMENSIONS		THIRD ANGLE PROJECTION		DRAWING		SERIES		MATERIAL NUMBER		CUSTOMER		SHEET NUMBER	
				C-SIZE		73148		SEE TABLE		GENERAL MARKET		2 OF 3	

**molex**

50 OHM BNC TEE ADAPTOR (J-P-J) BNC-ADP/JPJ

PRODUCT CUSTOMER DRAWING

DOCUMENT NUMBER  
**SD-73148-5003**

DOC TYPE  
PSD

DOC PART  
001

REVISION  
D3

MATERIAL NUMBER  
SEE TABLE

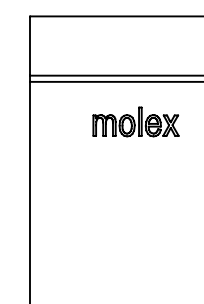
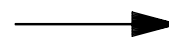
CUSTOMER  
GENERAL MARKET

SHEET NUMBER  
2 OF 3

DOCUMENT STATUS P1 RELEASE DATE 2021/04/21 06:23:46



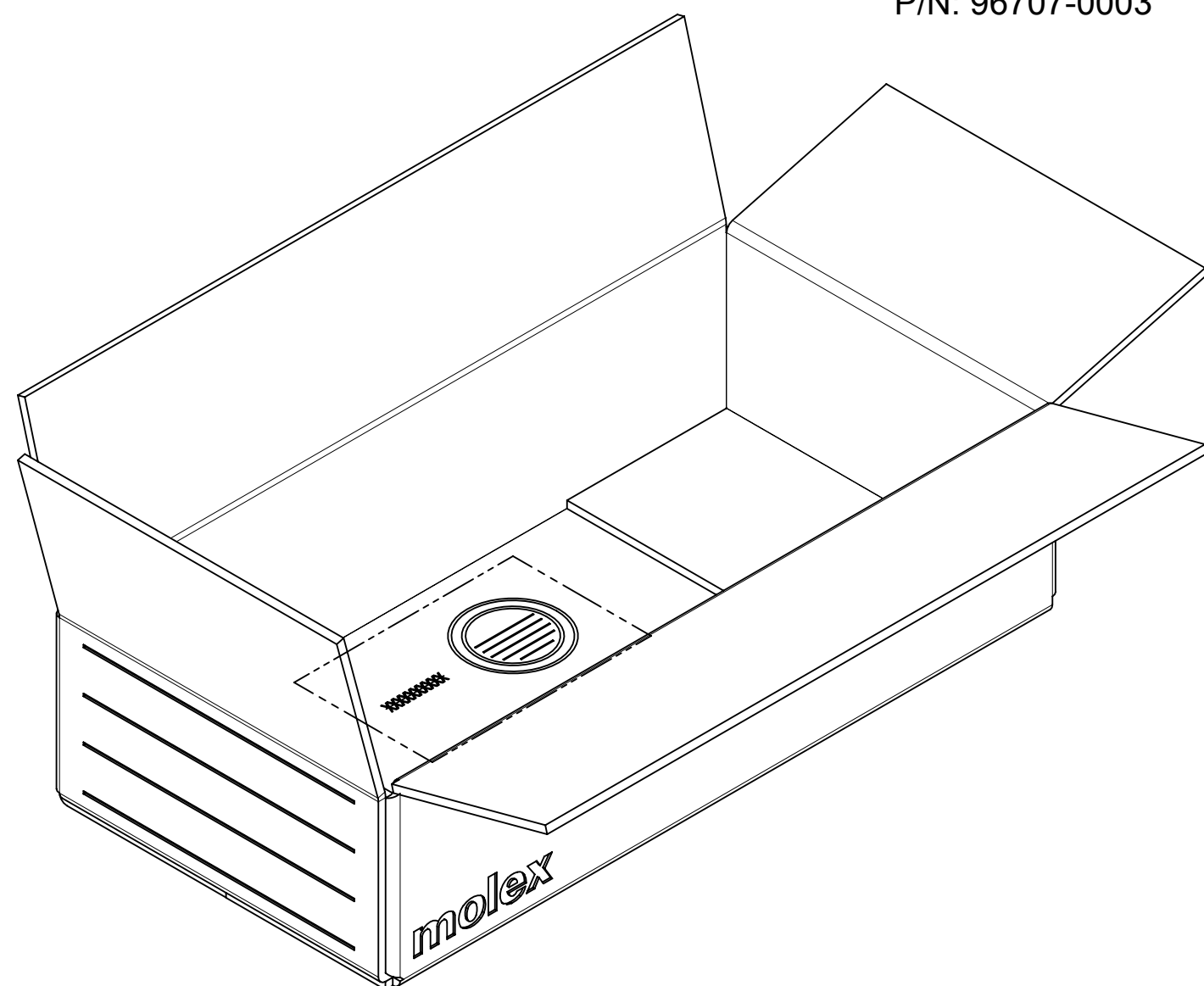
P/N: 73148-5003



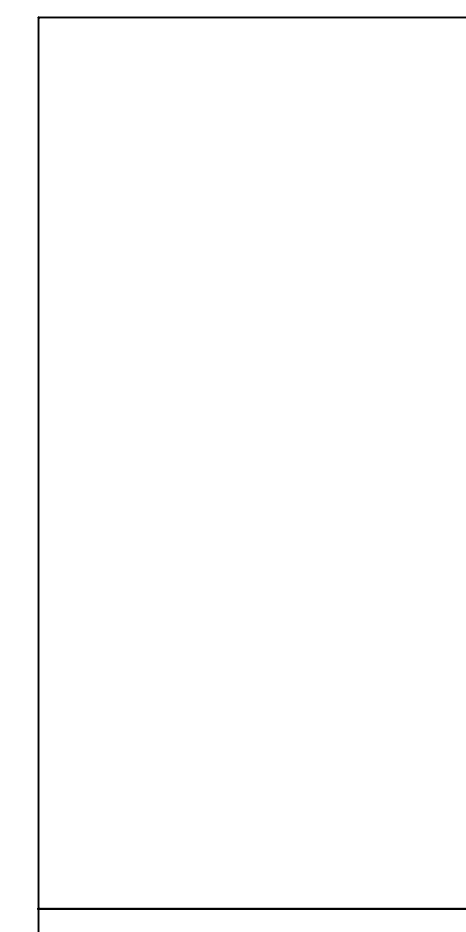
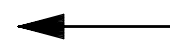
1 SET PER BAG  
P/N: 89707-0317



P/N: 73171-6950  
250 X 73148-5003 PER CARTON BOX  
P/N: 96707-0003



250 SETS PER CARTON BOX  
P/N: 96707-0003



50 SETS PER BAG  
P/N: 89707-0174

THIS DRAWING CONTAINS INFORMATION THAT IS PROPRIETARY TO MOLEX ELECTRONIC TECHNOLOGIES, LLC AND SHOULD NOT BE USED WITHOUT WRITTEN PERMISSION

DIMENSION UNITS		SCALE		CURRENT REV DESC: ADD LABEL FOR 73148-5003 & 73171-6950 PER EWR #14242-H				<b>molex</b>				
INCH/MM		NTS										
GENERAL TOLERANCES (UNLESS SPECIFIED)								50 OHM BNC TEE ADAPTOR (J-P-J) BNC-ADP/JPJ				
ANGULAR TOL ± 2.0°												
4 PLACES		±		EC NO: 660983				PRODUCT CUSTOMER DRAWING				
3 PLACES		±		DRWN: RYEH		2021/03/25						
2 PLACES		±		CHK'D: YCHENG		2021/04/21		DOCUMENT NUMBER				
1 PLACE		±		APPR: YCHENG		2021/04/21						SD-73148-5003
0 PLACES		±		INITIAL REVISION:				SEE TABLE		GENERAL MARKET		SHEET NUMBER
DRAFT WHERE APPLICABLE MUST REMAIN WITHIN DIMENSIONS		THIRD ANGLE PROJECTION		DRAWING		SERIES		MATERIAL NUMBER		CUSTOMER		3 OF 3
				C-SIZE		73148						

**molex**

50 OHM BNC TEE ADAPTOR (J-P-J) BNC-ADP/JPJ

PRODUCT CUSTOMER DRAWING

DOCUMENT NUMBER: SD-73148-5003, DOC TYPE: PSD, DOC PART: 001, REVISION: D3