


# TXC101

## 300-1000 MHz Transmitter



16-TSSOP package

- Complies with Directive 2002/95/EC (RoHS) 

### Product Overview

TXC101 is a highly integrated single chip, multi-channel, low power, high data rate RF transmitter designed to operate in the unlicensed 315/433/868 and 915 MHz frequency bands. All critical RF and baseband functions are completely integrated in the chip, thus minimizing external component count and simplifying design-ins. Its small size with low power consumption makes it ideal for various short range radio applications.

The TXC101 is a dual mode solution. In the Microcontroller mode, a generic 10MHz crystal and a low-cost microcontroller are the only requirements to create a complete Transmitter link. In the EEPROM mode, the TXC101 can function as a complete data transmitter with any SPI compatible EEPROM and does not need a micro controller. This makes it an ideal solution for a variety of simple short range radio applications.

### Key Features

- Modulation: OOK/FSK
- Frequency Hopping Spread Spectrum capability
- Operating frequency: 315/433/868/915 MHz
- Low current consumption (TX current ~ 10mA)
- Wide Operating supply voltage: 2.2 to 5.4V
- Low standby current (0.2uA)
- OOK Data rate up to 512kbps
- FSK Data rate up to 256kbps
- Support for Multiple Channels
- [315/433 Bands]: 95 Channels (100kHz)
- [868 Band]: 190 Channels (100kHz)
- [915 Band]: 285 Channels (100kHz)
- Generic 10MHz Xtal reference
- Processor or EEPROM Mode Operation
- Integrated PLL, IF & Baseband Circuitry
- Programmable Push Button Control
- Programmable Output RF Power
- Programmable, Positive/Negative FSK Deviation
- Programmable Clock Output Frequency
- Standard SPI interface
- Integrated, Programmable Low Battery Voltage Detector
- External Wake-up Events
- TTL/CMOS Compatible I/O pins
- Automatic Antenna tuning circuit
- Very few external components requirement
- No Manual Adjustment Needed for Production
- Small size plastic package: 16-pin TSSOP
- Standard 13 inch reel, 2000 pieces.

### Popular applications

- Remote control applications
- Active RFID tags
- Wireless PC Peripherals
- Automated Meter reading
- Home & Industrial Automation
- Security systems
- Remote keyless entry
- Automobile Immobilizers
- Sports & Performance monitoring
- Wireless Toys
- Medical equipment
- Low power two way telemetry systems
- Wireless mesh sensors
- Wireless modules

# Table of Contents

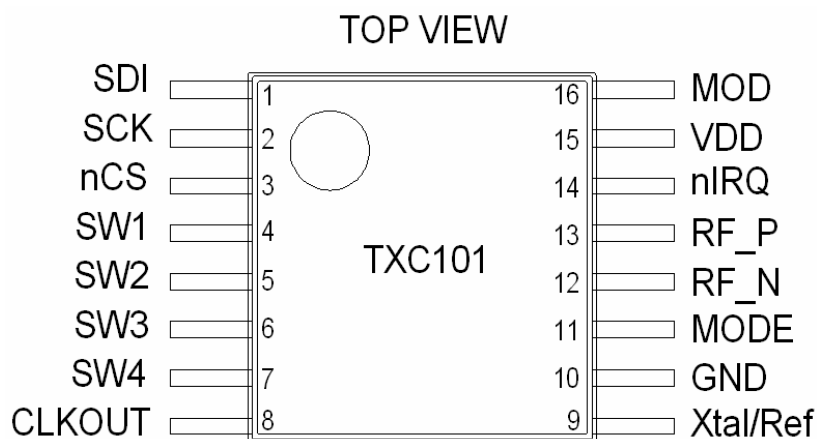
|   |    |
|---|----|
| <b>Table of Contents</b> .....                          | 2  |
| 1.0 Pin Descriptions .....                              | 3  |
| <b>1.1 Processor Mode Pin Configuration</b> .....       | 3  |
| <b>1.2 EEPROM Mode Pin Configuration</b> .....          | 4  |
| <b>2.0 Functional Description</b> .....                 | 5  |
| <b>2.1 TXC101 Processor Mode Application</b> .....      | 5  |
| RF Transmitter Matching.....                            | 5  |
| Antenna Design Considerations.....                      | 6  |
| PCB Layout Considerations .....                         | 6  |
| <b>2.2 EEPROM Mode Application</b> .....                | 8  |
| <b>3.0 TXC101 Functional Characteristics</b> .....      | 11 |
| Output Amplifier .....                                  | 11 |
| Frequency Control (PLL) and Frequency Synthesizer ..... | 11 |
| Transmit Register.....                                  | 11 |
| Crystal Oscillator .....                                | 12 |
| Wake-Up Mode .....                                      | 12 |
| Low Battery Detector.....                               | 12 |
| Key Switch Inputs.....                                  | 12 |
| SPI Interface .....                                     | 13 |
| <b>4.0 Control and Configuration Registers</b> .....    | 14 |
| Table of Control and Configuration Registers .....      | 14 |
| Status Register.....                                    | 15 |
| Configuration Register [POR=8080h] .....                | 16 |
| Transmit Power Configuration Register [POR=B0h].....    | 18 |
| Transmit Command Register .....                         | 19 |
| Frequency Setting Register [POR=A7D0h].....             | 20 |
| Data Rate Setup Register [POR=C800h].....               | 21 |
| Button Command Register [POR=CA00h].....                | 22 |
| Sleep/Clock Command Register [POR=C400h] .....          | 23 |
| Wake-up Timer Period Register [POR=E000h] .....         | 24 |
| Battery Detect Threshold Register [POR=C200h] .....     | 25 |
| Power Management Register [POR=C000h] .....             | 26 |
| <b>5.0 Maximum Ratings</b> .....                        | 27 |
| Recommended Operating Ratings.....                      | 27 |
| <b>6.0 DC Electrical Characteristics</b> .....          | 27 |
| <b>7.0 AC Electrical Characteristics</b> .....          | 28 |
| <b>8.0 Transmitter Measurement Results</b> .....        | 30 |
| <b>Reflow Profile</b> .....                             | 31 |
| <b>9.0 Package Information</b> .....                    | 32 |

## 1.0 Pin Description

### Processor Mode

| Pin | Name     | Description   |
|-----|----------|---|
| 1   | SDI      | SPI Data In   |
| 2   | SCK      | SPI Data Clock  |
| 3   | nCS      | <b>Chip Select Input</b> – Selects the chip for an SPI data transaction. The pin must be pulled 'low' for a 16-bit read or write function. See Figure 4 for timing specifications.  |
| 4   | SW1      | <b>Switch</b> or Push Button Input 1 with Internal pull-up resistor   |
| 5   | SW2      | <b>Switch</b> or Push Button Input 2 with Internal pull-up resistor   |
| 6   | SW3      | <b>Switch</b> or Push Button Input 3 with Internal pull-up resistor   |
| 7   | SW4      | <b>Switch</b> or Push Button Input 4 with Internal pull-up resistor   |
| 8   | ClkOut   | Optional host processor Clock Output  |
| 9   | Xtal/Ref | <b>Xtal</b> - Connects to a 10MHz series crystal or an external oscillator reference. The circuit contains an integrated load capacitor (See <i>Configuration Register</i> ) in order to minimize the external component count. The crystal is used as the reference for the PLL, which generates the local oscillator frequency. The accuracy requirements for production tolerance, temperature drift and aging can be determined from the maximum allowable local oscillator frequency error. Whenever a low frequency error is essential for the application, it is possible to “pull” the crystal to the accurate frequency by changing the load capacitor value.<br><b>Ext Ref</b> – An external reference, such as an oscillator, may be connected as a reference source. Connect through a .01uF capacitor. |
| 10  | GND      | System Ground   |
| 11  | MODE     | <b>Mode Select</b> – Connect to VDD for Processor Mode.   |
| 12  | RF_P     | RF Diff I/O   |
| 13  | RF_N     | RF Diff I/O   |
| 14  | nIRQ     | <b>Interrupt Request</b> – Interrupt Request Output and Status Register Data Read Output.   |
| 15  | VDD      | Supply Voltage  |
| 16  | MOD      | <b>Modulation Input</b> – Serial data input for FSK or OOK modulation   |

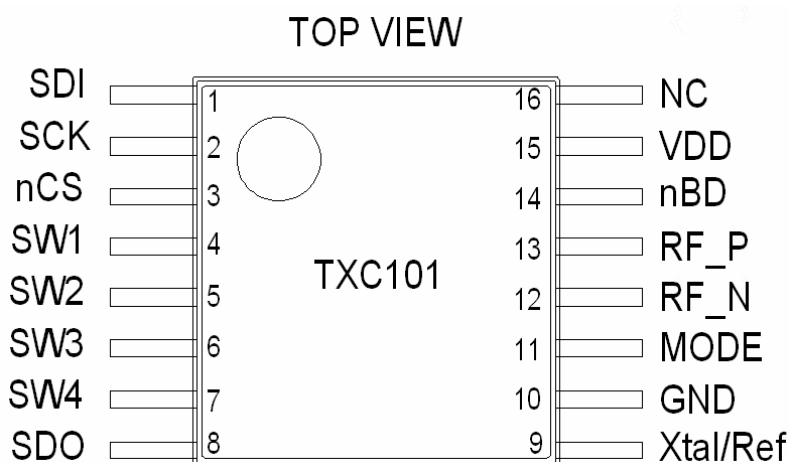
### 1.1 Processor Mode Pin Configuration



## EEPROM Mode

| Pin | Name     | Description   |
|-----|----------|---|
| 1   | SDI      | SPI Data In   |
| 2   | SCK      | SPI Data Clock  |
| 3   | nCS      | <b>Chip Select Input</b> - Selects the chip for an SPI data transaction. The pin must be pulled 'low' for a 16-bit read or write function. See Figure 4 for timing specifications.  |
| 4   | SW1      | <b>Switch</b> or Push Button Input 1 with Internal pull-up resistor   |
| 5   | SW2      | <b>Switch</b> or Push Button Input 2 with Internal pull-up resistor   |
| 6   | SW3      | <b>Switch</b> or Push Button Input 3 with Internal pull-up resistor   |
| 7   | SW4      | <b>Switch</b> or Push Button Input 4 with Internal pull-up resistor   |
| 8   | SDO      | SPI Data Out  |
| 9   | Xtal/Ref | <b>Xtal</b> - Connects to a 10MHz series crystal or an external oscillator reference. The circuit contains an integrated load capacitor (See <i>Configuration Register</i> ) in order to minimize the external component count. The crystal is used as the reference for the PLL, which generates the local oscillator frequency. The accuracy requirements for production tolerance, temperature drift and aging can be determined from the maximum allowable local oscillator frequency error. Whenever a low frequency error is essential for the application, it is possible to "pull" the crystal to the accurate frequency by changing the load capacitor value.<br><b>Ext Ref</b> – An external reference, such as an oscillator, may be connected as a reference source. Connect through a .01uF capacitor. |
| 10  | GND      | System Ground   |
| 11  | MODE     | <b>Mode Select</b> – Connect to GND for EEPROM Mode.  |
| 12  | RF_P     | RF Diff I/O   |
| 13  | RF_N     | RF Diff I/O   |
| 14  | nBD      | <b>Low Battery Detect</b> – When the battery voltage falls below the programmed level this output goes "low". The voltage level is programmable through the <i>Battery Detect Threshold Register</i> .  |
| 15  | VDD      | Supply Voltage  |
| 16  | NC       | <b>Not used.</b> Tie to VDD or GND  |

### 1.2 EEPROM Mode Pin Configuration



## 2.0 Functional Description

The TXC101 is a low power, frequency agile, multi-channel OOK/FSK transmitter for use in the 315, 433, 868, and 916 MHz bands. All RF transmit functions are completely integrated requiring only a single 10MHz crystal as a reference source. The TXC101 has two modes of operation: EEPROM mode and Processor mode. EEPROM mode is fully compatible with any standard SPI interface EEPROM.

Functions include:

- PLL synthesizer
- Power Amp
- Crystal oscillator
- Sleep Timer
- OOK/FSK Modulation
- 4 Key/Switch Functions

The TXC101 is ideal for Frequency Hopping Spread Spectrum (FHSS) applications requiring frequency agility to meet FCC and ETSI requirements. Use of a low-cost microcontroller or SPI compatible EEPROM is all that is needed to create a complete transmitter. The TXC101 also incorporates different sleep modes to reduce overall current consumption and extend transmitter battery life. It is ideal for applications operating from typical lithium coin cells.

## 2.1 TXC101 Processor Mode and Application Circuit

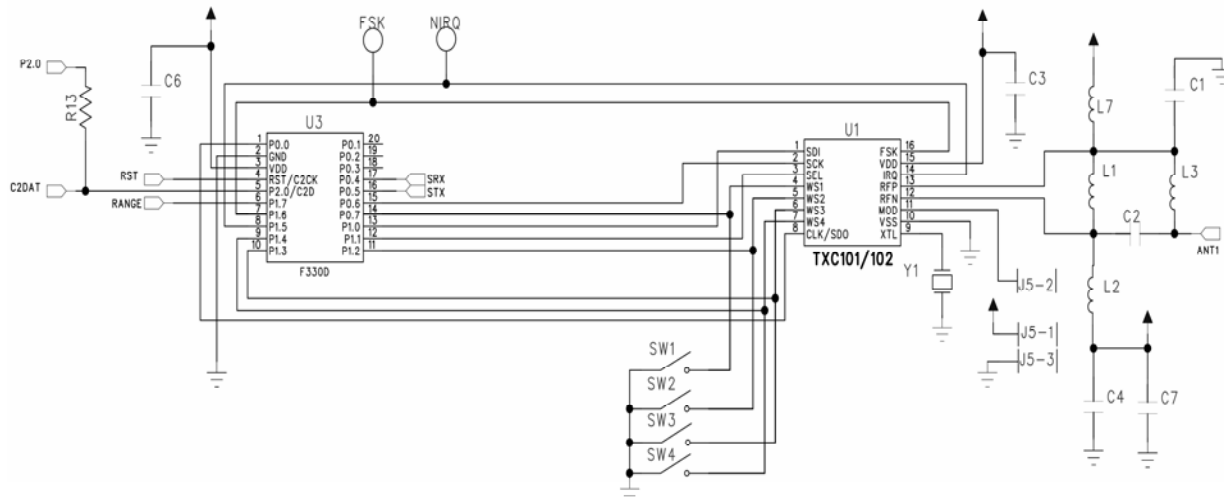


Figure 1. Typical Processor Mode Application Circuit for 50 Ohm Load

The TXC101 may be used with a typical low-cost microcontroller. All internal functions are accessible through the SPI interface. Figure 1 shows a typical connection for using a microcontroller to control the TXC101 functions.

### RF Transmitter Matching

The RF pins are high impedance and differential. The optimum differential load for the RF port at a given frequency band is shown in Table 1.

TABLE 1.

|         | Admittance [S]      | Impedance [Ohm] | Lantenna (nH) |
|---------|---------------------|-----------------|---------------|
| 315 MHz | $9.4e-4 - j4.5e-3$  | $43 + j214$     | 112           |
| 433 MHz | $8.4e-4 - j6.25e-3$ | $21 + j157$     | 59            |
| 868 MHz | $1.15e-3 - j1.2e-2$ | $7.9 + j83$     | 15.3          |
| 916 MHz | $1.2e-3 - j1.25e-2$ | $7.6 + j79$     | 13.9          |

These values are what the RF port pins want to “see” as an antenna load for maximum power transfer. Antennas ideally suited for this would be a Dipole, Folded Dipole, and Loop. For all transmit antenna applications a bias or “choke” inductor must be included since the RF outputs are open-collector type. The TXC101 may also drive a single ended 50 Ohm load, such as a monopole antenna, using the matching circuit as shown in Figure 1. Use of a balun would provide an optimum power transfer, but the matching circuit of Figure 1 has been optimized for use with discrete components, reducing the cost associated with use of a balun.

The matching component values for a 50 Ohm load are given in Table 2.

Table 2.

| Ref Des | 315    | 433    | 868    | 916    |
|---------|--------|--------|--------|--------|
| C1      | 3.9pF  | 2.7 pF | 1.8 pF | 1.8 pF |
| C2      | 2.2 pF | 1.5 pF | 1 pF   | 1 pF   |
| C4      | .1uF   | .1uF   | .1uF   | .1uF   |
| C7      | 100pF  | 100pF  | 100pF  | 100pF  |
| L1      | 72 nH  | 43 nH  | 10 nH  | 10 nH  |
| L2      | 390nH  | 390nH  | 100nH  | 100nH  |
| L3      | 110 nH | 82 nH  | 27 nH  | 27 nH  |

### Antenna Design Considerations

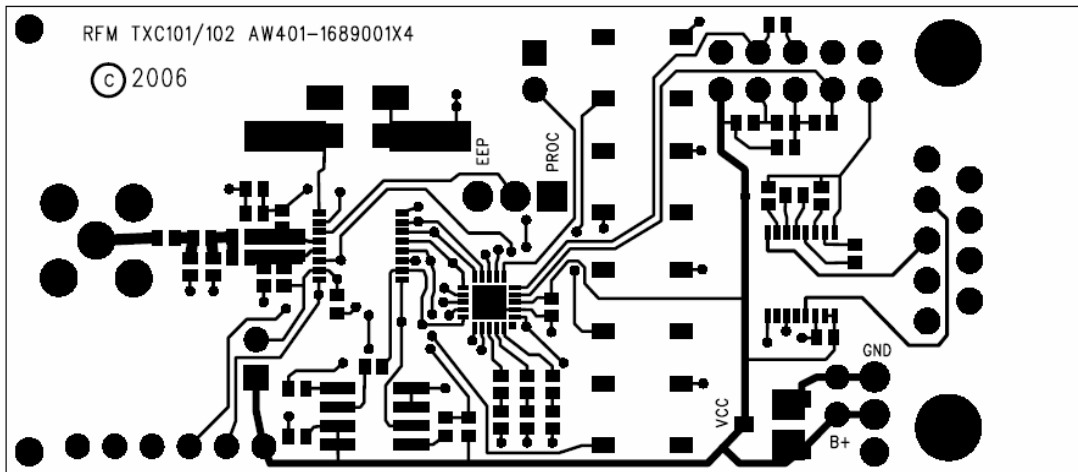
The TXC101 was designed to drive a differential output such as a Dipole or a Loop antenna. A loop antenna is recommended for applications where size is critical. The dipole is typically not an attractive option for compact designs based on its inherent size at resonance and distance needed away from a ground plane to be an efficient radiating antenna. A monopole is possible with addition of a balun or using the matching circuit in Figure 1.

### PCB Layout Considerations

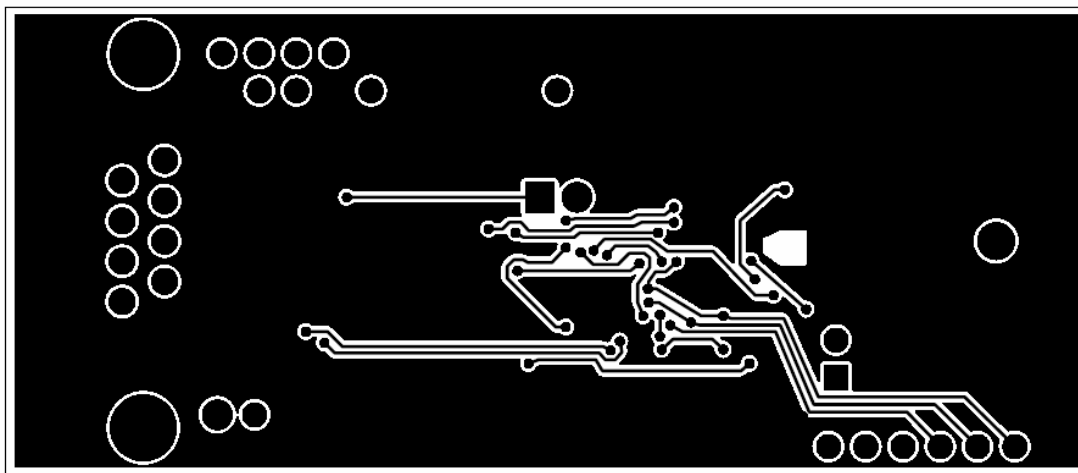
PCB layout is very critical. For optimal transmit and receive performance, the trace lengths at the RF pins must be kept as short as possible. Using small, surface mount components, like 0402, will yield the best performance and also keep the RF port compact. It is recommended that all RF connections are made short and direct. A good rule of thumb to adhere to is to add 1nH of series inductance to the path for every 0.1” of trace length. The crystal oscillator is also affected by additional trace length as it adds parasitic capacitance to the overall load of the crystal. To minimize this effect the crystal must be placed as close as possible to the chip and all connections must be made short and direct. This will minimize the effects of “frequency pulling”, that stray capacitance may introduce and allow the internal load capacitance of the chip to be more effective in properly loading the crystal oscillator circuit.

When an external processor is used, the TXC101 provides an on-chip clock. Even though this is an integrated function, long runs of the clock signal may radiate and cause interference. This can degrade receiver performance as well as add harmonics or unwanted modulation to the transmitter. Keep clock connections as short as possible and surround the clock trace with an adjacent ground plane pour where needed. This will help in reducing any radiation or crosstalk due to long runs of the clock signal.

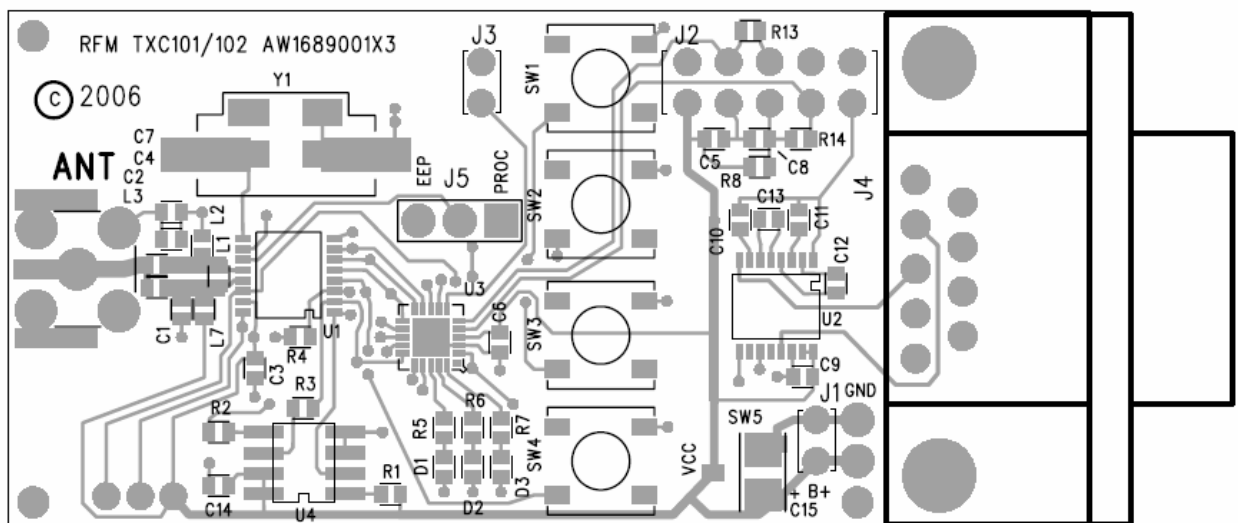
Good power supply bypassing is also essential. Large decoupling capacitors should be placed at the point where power is applied to the PCB. Smaller value decoupling capacitors should then be placed at each power point of the chip as well as bias nodes for the RF port. Poor bypassing lends itself to conducted interference which can cause noise and spurious signals to couple into the RF sections, thus significantly reducing performance.



Top



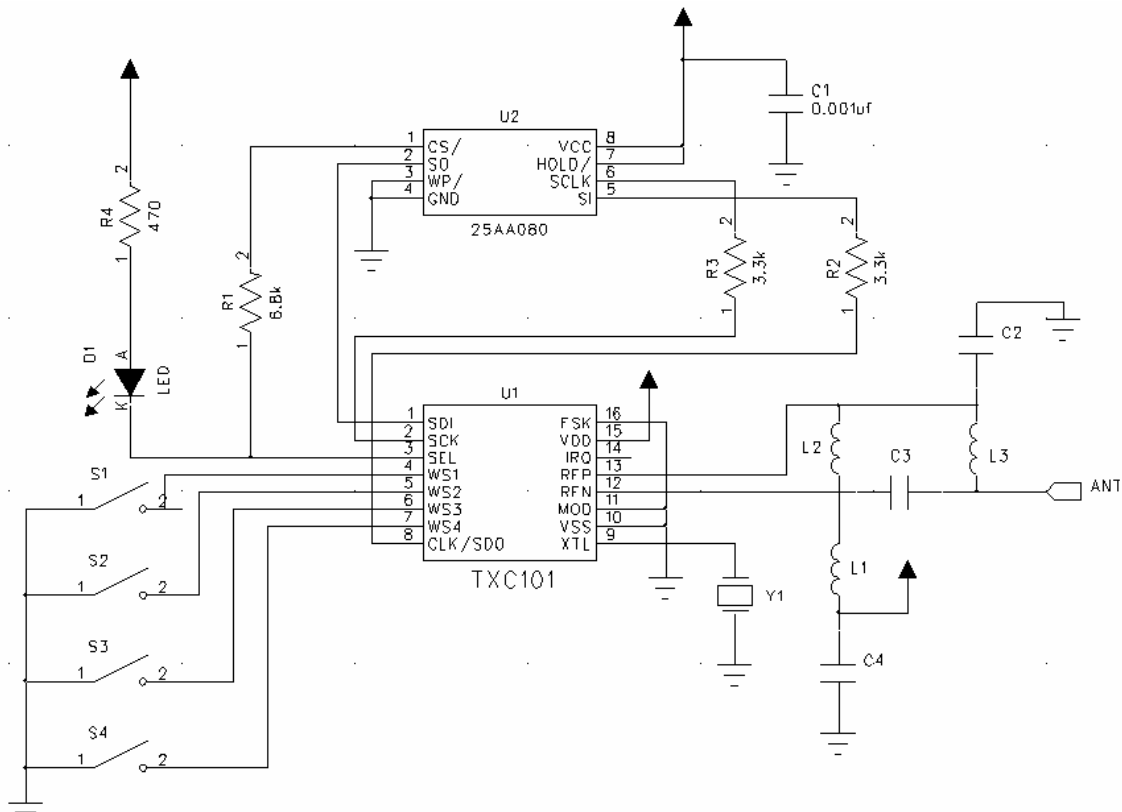
Bottom



Top Assembly

## 2.2 EEPROM Mode

Figure 2. Typical EEPROM Mode Application Circuit for 50 Ohm Load



The TXC101 can operate from a single, SPI compatible EEPROM by simply reading the sequential codes stored in memory. No external microcontroller is required. The codes are read out and processed as command and data. In this special mode, four pins are configured as inputs with an internal pull-up resistor. All that is needed are external key switches connected to GND to activate that key's code routine. When the key is pressed, the chip automatically begins executing code from a designated point within the EEPROM. When not in use, the last command of the code execution should be a sleep command so as to power down the device for maximum battery life. When the device is put into sleep one of the following seven (7) events can cause the device to wake up:

- Power-on Reset
- Low pulse on Key 1
- Low pulse on Key 2
- Low pulse on Key 3
- Low pulse on Key 4
- Low supply voltage output warning
- Wake-up timer timeout

For each wake-up event there is an internal address assigned as the starting point in EEPROM memory to begin executing code. These are defined in TABLE 3 as follows:



**TABLE 3.**

| Wake-up Event         | EEPROM Address Entry |
|-----------------------|----------------------|
| Power up              | 0000h                |
| Low Pulse on SW1      | 0080h                |
| Low Pulse on SW2      | 0100h                |
| Low Pulse on SW3      | 0180h                |
| Low Pulse on SW4      | 0200h                |
| LBD Warning           | 0280h                |
| Wake-up Timer Timeout | 0300h                |

Another feature allows the use of two keys being pressed at the same time. For this, Bit7 in the *Button Command Register* controls whether SW4 is used as a single key press or SW1 and SW2 are used as simultaneous key presses. By setting Bit7 of the *Button Command Register*, the EEPROM Address Entry point of SW4 is used for simultaneous presses of SW1 and SW2. Clearing Bit7 sets the EEPROM to use SW4 as a single key press. It is also possible to detect multiple key presses and execute sequential routines. When multiple keys are pressed, all routines associated with the keys are executed in the same sequence of which the keys were pressed.

When a key is pressed, the chip looks to see if there is a debounce time to recognize before sampling the pin again. At this time the oscillator is turned on, independent of the state of Bit 5 of the *Power Management Register*, because it uses the crystal oscillator signal as a timing reference. After the debounce time has expired, it begins execution of the code from the EEPROM address entry point.

All sources used to transmit are internal when using EEPROM mode. All external pin functions, such as external FSK modulation, are disabled and the internal functions are used. During sleep mode, all internal configurations are maintained as long as power is not interrupted. If there is a supply interruption the chip reboots from the Power-up EEPROM Address Entry point and all configurations are re-written.

### Example EEPROM Hex Code Contents:

Power-On Reset:

```

00000000 C0 C4 CA 1E C8 23 C4 64 00 00 00 00 00 00 00 00
00000010 00 00 00 00 00 00 00 00 00 00 00 00 00 00 00
00000020 00 00 00 00 00 00 00 00 00 00 00 00 00 00 00
00000030 00 00 00 00 00 00 00 00 00 00 00 00 00 00 00
00000040 00 00 00 00 00 00 00 00 00 00 00 00 00 00 00
00000050 00 00 00 00 00 00 00 00 00 00 00 00 00 00 00
00000060 00 00 00 00 00 00 00 00 00 00 00 00 00 00 00
00000070 00 00 00 00 00 00 00 00 00 00 00 00 00 00 00

```

The example above configures the initial settings of the registers at power-up. Other parameters may be changed as needed when the chip recognizes a key press. The code ends in a sleep command C400h where 00h is the number of clocks to output before disabling the clock output pin. See *Sleep/Clock Command Register*.

| Address | Command | Data | Related Register | Description  |
|---------|---------|------|------------------|--|
| 00-01   | C0      | C4   | Power Management | Crystal- Synthesizer – Power Amplifier auto on/off mode enable |
| 02-03   | CA      | 1E   | Button Command   | Continuous execution for all keys                              |
| 04-05   | C8      | 23   | Data Rate        | DR=10M/29/(35+1)~9600 bps                                      |
| 06-07   | C4      | 64   | Sleep            | Power down after 64h (100) clocks                              |

### Example Code for Key Press 3:

```

00000180 88 72 A6 10 C6 60 AA AA AA AA AA AA AA AA AA
00000190 AA AA AA AA AA AA AA AA AA AA AA AA AA AA
000001A0 AA AA AA AA AA AA AA AA AA AA AA AA AA AA
000001B0 AA AA AA AA AA AA AA AA AA AA AA AA AA AA
000001C0 AA AA AA AA AA AA AA AA AA AA AA AA AA AA
000001D0 AA AA AA AA AA AA AA AA AA AA AA AA AA AA
000001E0 AA AA AA AA AA AA C4 00 00 00 00 00 00 00
000001F0 00 00 00 00 00 00 00 00 00 00 00 00 00

```

In the above example, some commands are one nibble long. For purposes of writing to the EEPROM the data must be arranged in bytes. The chip automatically distinguishes between command and data. On power-up, the keys are configured as a single execution. Hence, after this routine is executed, the chip returns to sleep and wakes up on another key press. If the keys were configured as a continuous execution, at the end of the sleep command, the chip restarts at address 0180h and re-executes the routine until the key is released.

| Address | Command | Data   | Related Register      | Remarks                                       |
|---------|---------|--------|-----------------------|---|
| 180–181 | 8       | 872    | Configuration Control | 433MHz band, FSK dev=90kHz, Crystal CL=12pF   |
| 182–183 | A       | 610    | Frequency             | $f_c=(43+1552/4000)*10\text{MHz}$ [433.92MHz] |
| 184–185 | C6      | 60     | Data Transmit         | Transmit the next 96 bytes                    |
| 186–1E5 |         | 96xAAh |                       | Data  |
| 1E6–1E7 | C4      | 00     | Sleep                 | Power down immediately (no clocks)            |

### 3.0 TXC101 Functional Characteristics

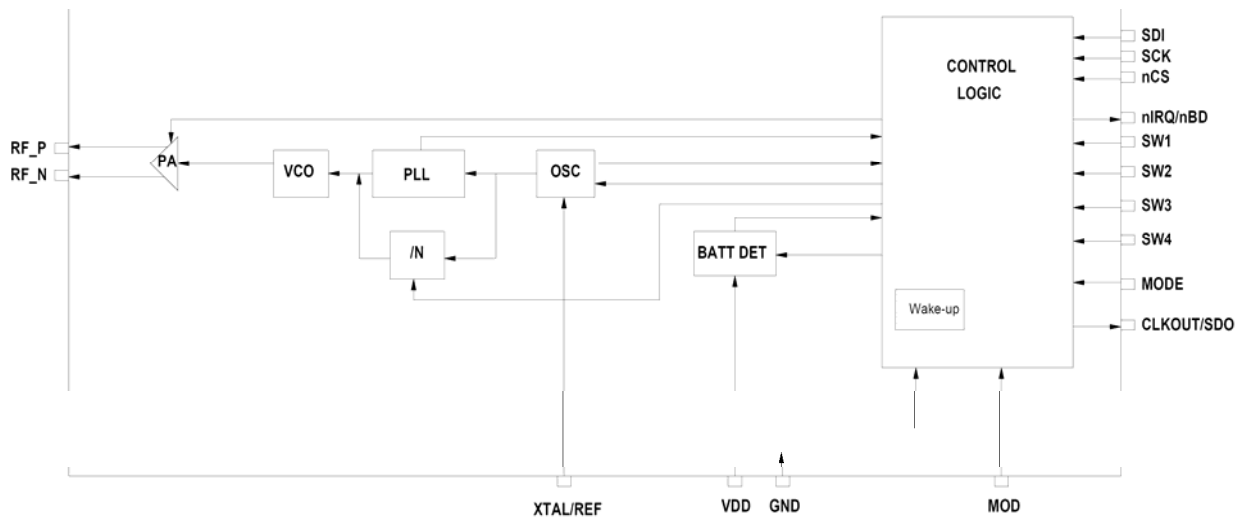


Figure 3. Functional Block Diagram

## Output Power Amplifier

The power amplifier is an open-collector, differential output with programmable output power which can directly drive a loop or dipole antenna, and with proper matching may also drive a monopole antenna. Incorporated in the power amplifier is an automatic antenna tuning circuit to avoid manual tuning during production and to offset “hand effects”. Registers common to the Power Amplifier are:

- *Power Management Register*
- *Transmit Power Configuration Register*

## Phase Lock Loop (PLL)

The PLL synthesizer is the heart of the operating frequency. It is programmable and completely integrated, providing all functions required to generate the carriers and tunability for each band. The PLL requires only a single 10MHz crystal reference source. RF stability is controlled by choosing a crystal with the particular specifications to satisfy the application.

The PLL is able to perform manual and automatic calibration to compensate for changes in temperature or operating voltage. When changing band frequencies, re-calibration must be performed. This can be done by disabling the synthesizer and re-enabling again through the *Power Management Register*.

Registers common to the PLL are:

- *Power Management Register*
- *Configuration Register*
- *Frequency Setting Register*
- *Transmit Configuration Register*

## Transmit Register

The transmit register is configured as two 8-bit shift registers connected in series to form a single 16-bit shift register. This register is a master when in EEPROM Mode. The TXC101 generates the chip select and clock to read the EEPROM contents into the register.

For Microcontroller Mode, this register is not available. Data may be applied in two ways: directly to the FSK MOD pin (16) after enabling the oscillator, synthesizer, and power amplifier, or directly to the SDI pin following the clock timing on page 19 of the *Transmit Command Register*.

## Crystal Oscillator

The TXC101 incorporates an internal crystal oscillator circuit that provides a 10MHz reference, as well as internal load capacitors. This significantly reduces the component count required. The internal load capacitance is programmable from 8.5pF to 16pF in 0.5pF steps. This has the advantage of accepting a wide range of crystals from many different manufacturers having different load capacitance requirements. Since the crystal is the PLL reference for the carrier, being able to vary the load capacitance also helps with fine tuning the final carrier frequency

An external clock signal is also provided that may be used to run an external processor. This also has the advantage of reducing component count by eliminating an additional crystal for the host processor. The clock frequency is also programmable from eight pre-defined frequencies, each a pre-scaled value of the 10MHz crystal reference. These values are programmable through the *Battery Detect Threshold and Clock Output Register*. The internal clock oscillator may be disabled, thus also disabling the output clock signal to the host processor. When the oscillator is disabled, the chip provides an additional 196 clock cycles before releasing the output, which may be used by the host processor to setup any functions before going to sleep.

## Sleep Mode

The TXC101 draws very little current when in sleep mode (200nA typical). See the *Power Management Register* and *Sleep/Clock Command Register* definitions on how to program the TXC101 into full sleep mode.

## Wake-Up Mode

The TXC101 has an internal wake-up timer that has very low current consumption (1.5uA typical) and may be programmed from 1msec to several days. A calibration is performed to the crystal at startup and every 30 sec thereafter, even if in sleep mode. If the oscillator circuit is disabled the calibration circuit will turn it on briefly to perform a calibration to maintain accurate timing and return to sleep.

The TXC101 also incorporates other power saving modes aside from the wake-up timer. Return to active mode may be initiated from several external events:

- Logic '0' applied to nINT pin (16)
- Low Supply Voltage Detect
- FIFO Fill
- SPI request

If any of these wake-up events occur, including the wake-up timer, the TXC101 generates an external interrupt which may be used as a wake-up signal to a host processor. The source of the interrupt may be read out from the *Status Register* over the SPI bus. To re-enter wake-up mode the WKUPEN bit (1) of the *Power Management Register* must be cleared then set.

## Low Battery Detect

The integrated low battery detector monitors the voltage supply against a preprogrammed value and generates an interrupt when the supply voltage falls below the programmed value. The detector circuit has 50mV of hysteresis built in.

## Key Switch Inputs

In microcontroller mode, the TXC101 generates an interrupt on the nIRQ pin when a key is pressed. The source of the interrupt may be determined by reading the *Status Register*. In EEPROM mode, each switch has an internal address assigned to it. It uses this address as the entry point to the EEPROM and executes commands after that address until it sees a sleep command (C400h). The chip has internal weak pull-up resistors so there is no need for additional components. These weak pull-ups may be disabled through the *Button Command Register*. For each mode the chip repeats this function while the key is pressed if configured by the *Button Command Register*. In the microcontroller mode, the chip continuously generates interrupts until the key is released. In the EEPROM mode, the chip continuously enters the EEPROM at the assigned address and executes the commands following the entry point as long as the key is active, if enabled through the *Button Command Register*. There are seven defined entry points for the EEPROM mode. The chip also has an integrated, programmable de-bounce circuit for each key. See *Button Command Register* for a detailed explanation.

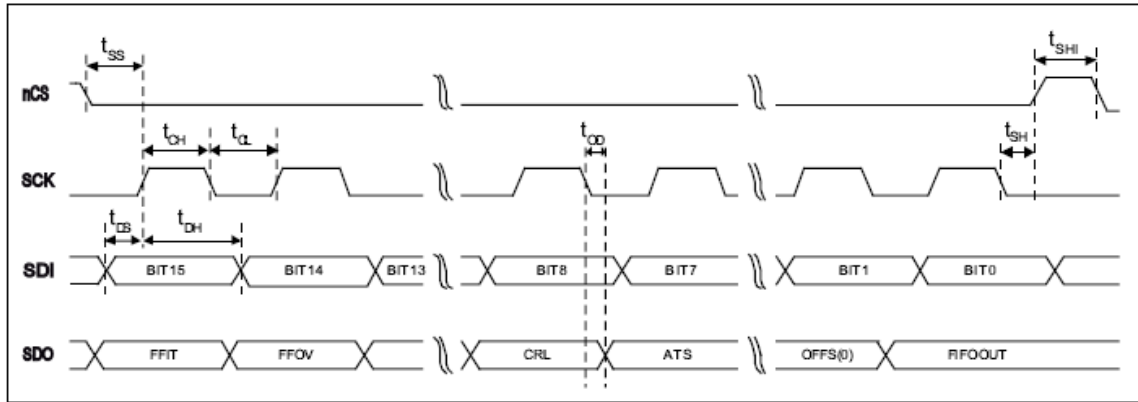
## SPI Interface

The TXC101 is equipped with a standard SPI bus that is compatible to almost all SPI devices. All functions and status of the chip are accessible through the SPI bus. Typical SPI devices are configured for byte write operations. The TXC101 uses word writes and hence the nCS (Pin 3) should be pulled low for 16 bits. All SPI data is written to the TXC101 MSB first. The maximum SCK for the SPI bus is 20 MHz.

**TABLE 4.**

| Symbol    | Parameter  | Minimum Value [ns] |
|-----------|--|--------------------|
| $t_{CH}$  | Clock high time  | 25                 |
| $t_{CL}$  | Clock low time   | 25                 |
| $t_{SS}$  | Select setup time (nSEL falling edge to SCK rising edge) | 10                 |
| $t_{SH}$  | Select hold time (SCK falling edge to nSEL rising edge)  | 10                 |
| $t_{SHI}$ | Select high time   | 25                 |
| $t_{DS}$  | Data setup time (SDI transition to SCK rising edge)      | 5                  |
| $t_{DH}$  | Data hold time (SCK rising edge to SDI transition)       | 5                  |
| $t_{OD}$  | Data delay time  | 10                 |
| $t_{BL}$  | Push-button input low time                               | 25                 |

**Timing Diagram**



**Figure 4. Timing Diagram**

## 4.0 Control and Configuration Registers

|                         | Bit | Bit | Bit | Bit   | Bit    | Bit    | Bit   | Bit   | Bit   | Bit   | Bit   | Bit   | Bit   | Bit   | Bit    | Bit    | POR Value |
|-------------------------|-----|-----|-----|-------|--------|--------|-------|-------|-------|-------|-------|-------|-------|-------|--------|--------|-----------|
|                         | 15  | 14  | 13  | 12    | 11     | 10     | 9     | 8     | 7     | 6     | 5     | 4     | 3     | 2     | 1      | 0      |           |
| <b>STATUS</b>           | X   | X   | X   | X     | X      | X      | X     | X     | 1     | 1     | 0     | 0     | 1     | 1     | 0      | 0      | --        |
| <b>CONFIG</b>           | 1   | 0   | 0   | BAND1 | BAND0  | CLK2   | CLK1  | CLK0  | CAP3  | CAP2  | CAP1  | CAP0  | MODP  | DEV2  | DEV1   | DEV0   | 8080h     |
| <b>TX POWER CONFIG</b>  | X   | X   | X   | X     | X      | X      | X     | X     | 1     | 0     | 1     | 1     | OOKEN | PWR2  | PWR1   | PWR0   | XXB0h     |
| <b>TX COMMAND REG</b>   | 1   | 1   | 0   | 0     | 0      | 1      | 1     | 0     | B7    | B6    | B5    | B4    | B3    | B2    | B1     | B0     | --        |
| <b>FREQ SET</b>         | 1   | 0   | 1   | 0     | Freq11 | Freq10 | Freq9 | Freq8 | Freq7 | Freq6 | Freq5 | Freq4 | Freq3 | Freq2 | Freq1  | Freq0  | A7D0h     |
| <b>DATA RATE SET</b>    | 1   | 1   | 0   | 0     | 1      | 0      | 0     | 0     | BITR7 | BITR6 | BITR5 | BITR4 | BITR3 | BITR2 | BITR1  | BITR0  | C800h     |
| <b>BUTTON CMD</b>       | 1   | 1   | 0   | 0     | 1      | 0      | 1     | 0     | 2KPEN | DB1   | DB0   | SW4   | SW3   | SW2   | SW1    | PUPDIS | CA00h     |
| <b>SLEEP/CLK CMD</b>    | 1   | 1   | 0   | 0     | 0      | 1      | 0     | 0     | SLP7  | SLP6  | SLP5  | SLP4  | SLP3  | SLP2  | SLP1   | SLP0   | C400h     |
| <b>WAKE-UP PERIOD</b>   | 1   | 1   | 1   | R4    | R3     | R2     | R1    | R0    | MUL7  | MUL6  | MUL5  | MUL4  | MUL3  | MUL2  | MUL1   | MUL0   | E000h     |
| <b>BATT DETECT</b>      | 1   | 1   | 0   | 0     | 0      | 0      | 1     | 0     | 0     | 0     | 0     | LBD4  | LBD3  | LBD2  | LBD1   | LBD0   | C200h     |
| <b>POWER MANAGEMENT</b> | 1   | 1   | 0   | 0     | 0      | 0      | 0     | 0     | TX1   | TX0   | OSCEN | SYNEN | PAEN  | LBDEN | WKUPEN | CLKEN  | C000h     |

x-Not Used

**Table 5. Control and Configuration Registers Table**

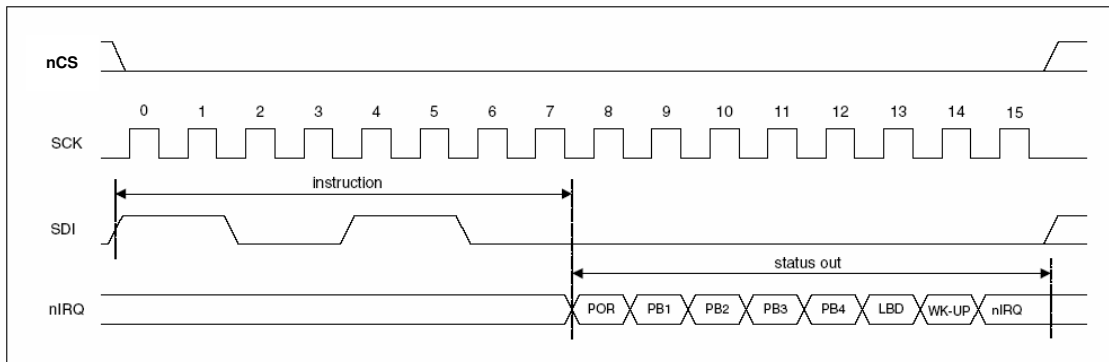
### Status Register (Read Only)

| Bit | Bit | Bit | Bit | Bit | Bit | Bit | Bit |
|-----|-----|-----|-----|-----|-----|-----|-----|
| 7   | 6   | 5   | 4   | 3   | 2   | 1   | 0   |
| 1   | 1   | 0   | 0   | 1   | 1   | 0   | 0   |

The Status Register provides feedback for:

- POR
- Interrupt Request state
- Low Battery
- Push Button event

The Status Register requires only the Command Code to be sent. Status bits can be read through the nIRQ pin (14). Clock pulses are continually sent and data is read out. When this command is issued it clears the last interrupt and starts processing the next pending interrupt. See Figure 5 for read sequence.



**Figure 5. Status Register Read Through nIRQ (pin 14 Processor Mode)**

Bit [7..0]: **Command Code:** These bits are the command code that is sent serially to the processor that identifies the bits to be written to the Status Register.

## Configuration Register [POR=8080h]

|     |     |     |       |       |      |      |      |      |      |      |      |      |      |      |      |
|-----|-----|-----|-------|-------|------|------|------|------|------|------|------|------|------|------|------|
| Bit | Bit | Bit | Bit   | Bit   | Bit  | Bit  | Bit  | Bit  | Bit  | Bit  | Bit  | Bit  | Bit  | Bit  | Bit  |
| 15  | 14  | 13  | 12    | 11    | 10   | 9    | 8    | 7    | 6    | 5    | 4    | 3    | 2    | 1    | 0    |
| 1   | 0   | 0   | BAND1 | BAND0 | CLK2 | CLK1 | CLK0 | CAP3 | CAP2 | CAP1 | CAP0 | MODP | DEV2 | DEV1 | DEV0 |

The configuration register sets up the following:

- Frequency Band in use
- Crystal Load capacitance
- TX Modulation Polarity
- TX Modulation Bandwidth

Bit [15..13] – **Command Code:** These bits are the command code that is sent serially to the processor that identifies the bits to be written to the configuration register.

Bit [12..11] – **Band Select:** These bits set the frequency band to be used. There are four (4) bands that are supported. See Table 6 for Band configuration.

**TABLE 6.**

| Frequency Band | BAND1 | BAND0 |
|----------------|-------|-------|
| 315            | 0     | 0     |
| 433            | 0     | 1     |
| 868            | 1     | 0     |
| 916            | 1     | 1     |

Bit [10..8] – **Clock Output Frequency:** These bits set the output frequency of the on-board clock that may be used to run an external host processor. See Table 7.

**TABLE 7.**

| Output Clock Frequency (MHz) | CLK2 | CLK1 | CLK0 |
|------------------------------|------|------|------|
| 1                            | 0    | 0    | 0    |
| 1.25                         | 0    | 0    | 1    |
| 1.66                         | 0    | 1    | 0    |
| 2                            | 0    | 1    | 1    |
| 2.5                          | 1    | 0    | 0    |
| 3.33                         | 1    | 0    | 1    |
| 5                            | 1    | 1    | 0    |
| 10                           | 1    | 1    | 1    |

Bit [7..4] – **Load Capacitance Select:** These bits set the load capacitance for the crystal reference. The internal load capacitance can be varied from 8.5pF to 16pF in 0.5pF steps to accommodate a wide range of crystal vendors and also to adjust the reference frequency and compensate for stray capacitance that may be introduced due to PCB layout. See Table 8 for load capacitance configuration.

**TABLE 8.**

| CAP3  | CAP2 | CAP1 | CAP0 | Crystal Load Capacitance |
|-------|------|------|------|--------------------------|
| 0     | 0    | 0    | 0    | 8.5                      |
| 0     | 0    | 0    | 1    | 9                        |
| 0     | 0    | 1    | 0    | 9.5                      |
| 0     | 0    | 1    | 1    | 10                       |
| ..... |      |      |      |                          |
| 1     | 1    | 1    | 0    | 15.5                     |
| 1     | 1    | 1    | 1    | 16                       |

$$C_L = 8.5\text{pF} + (\text{CAP}[3..0] * 0.5\text{pF})$$

Bit [3] - **Modulation Polarity:** When clear, a logic '0' is defined as the lower channel frequency and a logic '1' as the higher channel frequency (positive deviation). When set, a logic '0' is defined as the higher channel frequency and a logic '1' as the lower channel frequency (negative deviation).

## Configuration Register – continued

Bit [2..0] - **Modulation Bandwidth:** These bits set the FSK frequency deviation for transmitting a logic '1' and logic '0'. The deviation is programmable from 30kHz to 210kHz in 30kHz steps. See Table 9 for deviation settings.

**TABLE 9.**

| Modulation Bandwidth | HEX | DEV2 | DEV1 | DEV0 |
|----------------------|-----|------|------|------|
| 30 kHz               | 00  | 0    | 0    | 0    |
| 60 kHz               | 01  | 0    | 0    | 1    |
| 90 kHz               | 02  | 0    | 1    | 0    |
| 120 kHz              | 03  | 0    | 1    | 1    |
| 150 kHz              | 04  | 1    | 0    | 0    |
| 180 kHz              | 05  | 1    | 0    | 1    |
| 210 kHz              | 06  | 1    | 1    | 0    |
| <b>Not used</b>      | 07  | 1    | 1    | 1    |

## Transmit Power Configuration Register [POR=B0h]

| Bit | Bit | Bit | Bit | Bit   | Bit  | Bit  | Bit  |
|-----|-----|-----|-----|-------|------|------|------|
| 7   | 6   | 5   | 4   | 3     | 2    | 1    | 0    |
| 1   | 0   | 1   | 1   | OOKEN | PWR2 | PWR1 | PWR0 |

The Power Configuration Register configures the output transmit power desired.

Bit [7..4] - **Command Code:** These bits are the command code that is sent serially to the processor that identifies the bits to be written to the Transmit Power Configuration Register.

Bit [3] – **OOKEN:** This bit enables OOK mode for the power amplifier. In this mode, data is applied to the MOD pin (16). When a logic '1' is applied, the power amplifier is On. When a logic '0' is applied, the power amplifier is Off.

Bit [2..0] – **Output Transmit Power:** These bits set the transmit output power. The output power is programmable from Max to -21dB in -3dB steps. See Table 10 for Output Power settings.

**TABLE 10.**

| Output Power (Relative) | PWR2 | PWR1 | PWR0 |
|-------------------------|------|------|------|
| Max                     | 0    | 0    | 0    |
| -3dB                    | 0    | 0    | 1    |
| -6dB                    | 0    | 1    | 0    |
| -9dB                    | 0    | 1    | 1    |
| -12dB                   | 1    | 0    | 0    |
| -15dB                   | 1    | 0    | 1    |
| -18dB                   | 1    | 1    | 0    |
| -21dB                   | 1    | 1    | 1    |

## Transmit Command Register [POR=C600h]

(EEPROM Mode)

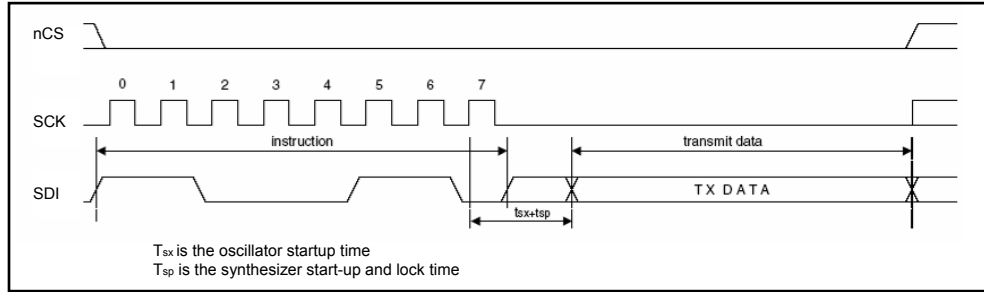
| Bit | Bit | Bit | Bit | Bit | Bit | Bit | Bit | Bit | Bit | Bit | Bit | Bit | Bit | Bit | Bit |
|-----|-----|-----|-----|-----|-----|-----|-----|-----|-----|-----|-----|-----|-----|-----|-----|
| 15  | 14  | 13  | 12  | 11  | 10  | 9   | 8   | 7   | 6   | 5   | 4   | 3   | 2   | 1   | 0   |
| 1   | 1   | 0   | 0   | 0   | 1   | 1   | 0   | B7  | B6  | B5  | B4  | B3  | B2  | B1  | B0  |

(Processor Mode)

| Bit | Bit | Bit | Bit | Bit | Bit | Bit | Bit |
|-----|-----|-----|-----|-----|-----|-----|-----|
| 7   | 6   | 5   | 4   | 3   | 2   | 1   | 0   |
| 1   | 1   | 0   | 0   | 0   | 1   | 1   | 0   |



The Transmit Command Register in EEPROM mode holds the count of the number of data bytes to follow. In processor mode, only the command code is sent and the data is applied to the SDI pin **WITHOUT** a clock. If clock pulses are sent, the data will be interpreted as commands. In this mode the SDI pin acts like the MOD input pin (16). See Figure 6.



**Figure 6. Data Transmit through SDI pin**

The MOD pin(16) may also be used to manually send modulated data. The Oscillator and Synthesizer must manually be enabled through the *Power Management Register*. Startup and settle time must be allowed before applying a modulating signal to the MOD pin(16).

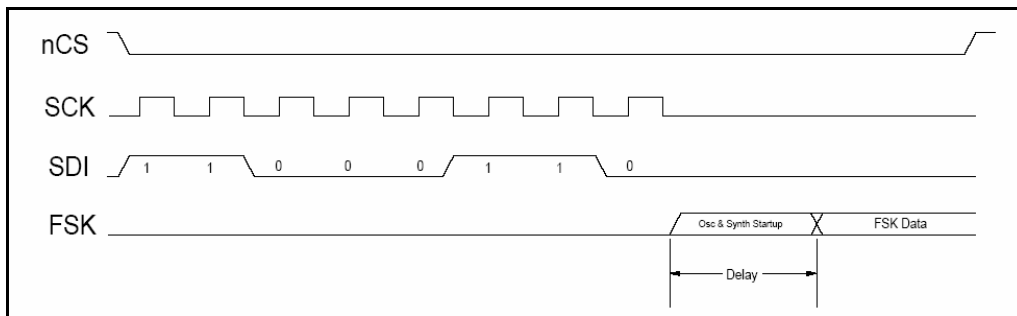
Bit [15..8] - **Command Code**: These bits are the command code that is sent serially to the processor that identifies the bits to be written to the Transmit Command Register.

Bit [7..0] – **Byte Count** (EEPROM Mode Only): These bits are the 8-bit value of the number of data bytes to be transmitted. Before issuing this command the power amplifier must be enabled either by setting the respective *Power Management Register* bits PAEN bit (3) or TX0 bit (6).

Bit [7..0] - **Command Code** (Processor Mode Only): These bits are the command code that is sent serially to the processor that identifies the bits to be written to the Transmit Command Register.

**Note:** When manually controlling the oscillator and synthesizer turn-on, valid data can only be transmitted when the oscillator has had time to start-up and the synthesizer has had time to lock.

Data may also be sent through the FSK pin (16). When the Transmit Command is issued the Osc and Synthesizer are automatically enabled. If the Osc and Synthesizer are not running, there must be a delay before sending out the first bit in order to allow the Osc to stabilize and the Synthesizer to lock. See Figure 7 timing below.



**Figure 7. Data Transmit through FSK pin**

### Frequency Setting Register [POR=A7D0h]

| Bit | Bit | Bit | Bit | Bit    | Bit    | Bit   | Bit   | Bit   | Bit   | Bit   | Bit   | Bit   | Bit   | Bit   | Bit   |
|-----|-----|-----|-----|--------|--------|-------|-------|-------|-------|-------|-------|-------|-------|-------|-------|
| 15  | 14  | 13  | 12  | 11     | 10     | 9     | 8     | 7     | 6     | 5     | 4     | 3     | 2     | 1     | 0     |
| 1   | 0   | 1   | 0   | Freq11 | Freq10 | Freq9 | Freq8 | Freq7 | Freq6 | Freq5 | Freq4 | Freq3 | Freq2 | Freq1 | Freq0 |

The Frequency Setting Register sets the exact frequency within the selected band for transmit or receive. Each band has a range of frequencies available for channelization or frequency hopping. The selectable frequencies for each band are:

| Frequency Band | Min (MHz) | Max (MHz) | Tuning Resolution |
|----------------|-----------|-----------|-------------------|
| 300 MHz        | 310.24    | 319.75    | 2.5 kHz           |
| 400 MHz        | 430.24    | 439.75    | 2.5 kHz           |
| 800 MHz        | 860.48    | 879.51    | 5.0 kHz           |
| 900 MHz        | 900.72    | 929.27    | 7.5 kHz           |

Bit descriptions are as follows:

Bit [15..12] – **Command Code:** These bits are the command code that is sent serially to the processor that identifies the bits to be written to the *Frequency Setting Register*.

Bit [11..0] – **Frequency Setting:** These bits set the center frequency to be used during transmit or receive. The value of bits[11..0] must be in the decimal range of 96 to 3903. Any value outside of this range will cause the previous value to be kept and no frequency change will occur. To calculate the center frequency  $f_c$ , use Table 11 and the following equation:

$$f_c = 10 * B1 * (B0 + f_{VAL}/4000) \text{ MHz}$$

where  $f_{VAL}$  = decimal value of Freq[11..0] = 96 <  $f_{VAL}$  < 3903.

Use Table 11 to select the frequency band and substitute into the above equation to calculate the center frequency of the desired band.

**TABLE 11.**

| Range   | B1 | B0 |
|---------|----|----|
| 315 MHz | 1  | 31 |
| 433 MHz | 1  | 43 |
| 868 MHz | 2  | 43 |
| 916 MHz | 3  | 30 |

## Data Rate Setup Register [POR=C800h] [EEPROM Mode ONLY]

| Bit | Bit | Bit | Bit | Bit | Bit | Bit | Bit | Bit   | Bit   | Bit   | Bit   | Bit   | Bit   | Bit   | Bit   |
|-----|-----|-----|-----|-----|-----|-----|-----|-------|-------|-------|-------|-------|-------|-------|-------|
| 15  | 14  | 13  | 12  | 11  | 10  | 9   | 8   | 7     | 6     | 5     | 4     | 3     | 2     | 1     | 0     |
| 1   | 1   | 0   | 0   | 1   | 0   | 0   | 0   | BITR7 | BITR6 | BITR5 | BITR4 | BITR3 | BITR2 | BITR1 | BITR0 |

The *Data Rate Setup Register* configures the effective transmit data rate for the transmitter.

Bit [15..8] - **Command Code:** These bits are the command code that is sent serially to the processor that identifies the bits to be written to the Data Rate Setup Register.

Bit [7..0] – **Data Rate Parameter Value:** These bits represent the decimal value of the 8-bit parameter used to calculate the expected data rate. The definable data rates range from 1.346kbps to 344.828kbps. To calculate the expected data rate, use the following formula:

$$DR_{exp}(\text{kbps}) = 10000 / [29 * (\text{BITR}[7..0]+1)]$$

where BITR[7..0] is the decimal value 0 to 255.

To calculate the BITR[7..0] decimal value for a given bit rate, use the following formula:

$$\text{BITR}[7..0] = (10000 / [29 * DR_{exp}]) - 1$$

where  $DR_{exp}$  is the expected data rate.

**TABLE 12. Conversion for Common Data Rates**

| Hex Value | Common Data Rate (bps) |
|-----------|------------------------|
| 0x8E      | 2400                   |
| 0x47      | 4800                   |
| 0x23      | 9600                   |
| 0x19      | 13200                  |
| 0x17      | 14400                  |
| 0x11      | 19200                  |
| 0x0B      | 28800                  |
| 0x02      | 115200                 |

**Button Command Register [POR=CA00h]**

| Bit | Bit | Bit | Bit | Bit | Bit | Bit | Bit | Bit   | Bit | Bit | Bit | Bit | Bit | Bit | Bit    |
|-----|-----|-----|-----|-----|-----|-----|-----|-------|-----|-----|-----|-----|-----|-----|--------|
| 15  | 14  | 13  | 12  | 11  | 10  | 9   | 8   | 7     | 6   | 5   | 4   | 3   | 2   | 1   | 0      |
| 1   | 1   | 0   | 0   | 1   | 0   | 1   | 0   | 2KPEN | DB1 | DB0 | SW4 | SW3 | SW2 | SW1 | PUPDIS |

The Button Command Register configures:

- Key press de-bounce time
- Key press events
- Weak Pull-ups

Bit [15..8] – **Command Code:** These bits are the command code that is sent serially to the processor that identifies the bits to be written to the Button Command Register.

Bit [7] – **2-Key Press Enable:** This bit enables simultaneous key press of SW1 and SW2 to execute the same address entry point as SW4. Enabling this bit does **NOT** disable SW4 function.

Bit [6..5] – **De-Bounce Time Set:** These bits set the key press de-bounce time. See Table 13 for settings.

**TABLE 13.**

| DB1 | DB0 | De-Bounce Time |
|-----|-----|----------------|
| 0   | 0   | 160msec        |
| 0   | 1   | 40msec         |
| 1   | 0   | 10msec         |
| 1   | 1   | NONE           |

Bit [4] – **SW4 Continuous Execute Enable:** This bit, when set, enables the chip to continuously execute the routine as long as the key is pressed.

Bit [3] – **SW3 Continuous Execute Enable:** This bit, when set, enables the chip to continuously execute the routine as long as the key is pressed.

Bit [2] – **SW2 Continuous Execute Enable:** This bit, when set, enables the chip to continuously execute the routine as long as the key is pressed.

Bit [1] – **SW1 Continuous Execute Enable:** This bit, when set, enables the chip to continuously execute the routine as long as the key is pressed.

Bit [0] – **Weak Internal Pull-ups:** This bit DISABLES the internal weak pull-up resistors for all keys when set. This bit defaults to clear so that the weak pull-ups are enabled.

**Sleep/Clock Command Register [POR=C400h]**

| Bit | Bit | Bit | Bit | Bit | Bit | Bit | Bit | Bit  | Bit  | Bit  | Bit  | Bit  | Bit  | Bit  | Bit  |
|-----|-----|-----|-----|-----|-----|-----|-----|------|------|------|------|------|------|------|------|
| 15  | 14  | 13  | 12  | 11  | 10  | 9   | 8   | 7    | 6    | 5    | 4    | 3    | 2    | 1    | 0    |
| 1   | 1   | 0   | 0   | 0   | 1   | 0   | 0   | SLP7 | SLP6 | SLP5 | SLP4 | SLP3 | SLP2 | SLP1 | SLP0 |

The Sleep Command Register defines the byte command and the number of clock cycles to generate after a sleep instruction to put the chip into sleep mode. When the chip sees this command issued, it immediately disables the power amplifier, turns off the synthesizer, and turns off the oscillator after SLP[7..0] (0-256) clock cycles.

Bit [15..8] – **Command Code:** These bits are the command code that is sent serially to the processor that identifies the bits to be written to the Sleep Command Register.

Bit [7..0] – **Sleep Command Value:** These bits define the number of clock cycles to generate before disabling the oscillator and before the chip goes into sleep mode. This allows time for an external processor to perform any memory or pre-sleep functions before the clock is stopped and the device enters sleep mode.

## Wake-up Timer Period Register [POR=E000h]

|     |     |     |     |     |     |     |     |      |      |      |      |      |      |      |      |
|-----|-----|-----|-----|-----|-----|-----|-----|------|------|------|------|------|------|------|------|
| Bit | Bit | Bit | Bit | Bit | Bit | Bit | Bit | Bit  | Bit  | Bit  | Bit  | Bit  | Bit  | Bit  | Bit  |
| 15  | 14  | 13  | 12  | 11  | 10  | 9   | 8   | 7    | 6    | 5    | 4    | 3    | 2    | 1    | 0    |
| 1   | 1   | 1   | R4  | R3  | R2  | R1  | R0  | MUL7 | MUL6 | MUL5 | MUL4 | MUL3 | MUL2 | MUL1 | MUL0 |

The Wake-up Timer Period register sets the wake-up interval for the TXC101. After setting the wake-up interval, the WKUPEN (bit 1 of Power Management Register) should be cleared and set at the end of every wake-up cycle. To calculate the wake-up interval desired, use the following:

$$T_{WAKE} = MUL[7..0] * 2^{R[4..0]}$$

where MUL[7..0] = decimal value 0 to 255 and R[4..0] = decimal value 0 to 31.

Bit [15..13] – **Command Code:** These bits are the command code that is sent serially to the processor that identifies the bits to be written to the Wake-up Timer Period register.

Bit [12..8] – **Exponential:** These bits define the exponential value as used in the above equation. The value used must be the decimal equivalent between 0 and 31.

Bit [7..0] – **Multiplier:** These bits define the multiplier value as used in the above equation. The value used must be the decimal equivalent between 0 and 255.

## Battery Detect Threshold Register [POR=C200h]

|     |     |     |     |     |     |     |     |     |     |     |      |      |      |      |      |
|-----|-----|-----|-----|-----|-----|-----|-----|-----|-----|-----|------|------|------|------|------|
| Bit | Bit | Bit | Bit | Bit | Bit | Bit | Bit | Bit | Bit | Bit | Bit  | Bit  | Bit  | Bit  | Bit  |
| 15  | 14  | 13  | 12  | 11  | 10  | 9   | 8   | 7   | 6   | 5   | 4    | 3    | 2    | 1    | 0    |
| 1   | 1   | 0   | 0   | 0   | 0   | 1   | 0   | 0   | 0   | 0   | LBD4 | LBD3 | LBD2 | LBD1 | LBD0 |

The Battery Detect Threshold and Clock Output Register configures the following:

- Low Battery Detect Threshold

The Low Battery Threshold is programmable from 2.2V to 5.3V using the following equation:

$$VT = (LBD[4..0] / 10) + 2.2 (V)$$

where LBD[4..0] is the decimal value 0 to 31.

Bit [15..8] – **Command Code:** These bits are the command code that is sent serially to the processor that identifies the bits to be written to the Battery Detect Threshold Register.

Bit [7..5] – Not Used. Write a logic '0'.

Bit [4..0] – **Low Battery Detect Value:** These bits set the decimal value as used in the equation above to calculate the battery detect threshold voltage value. When the battery level falls 50mV below this value, the LBD bit (5) in the status register is set indicating that the battery level is below the programmed threshold. This is useful in monitoring discharge sensitive batteries such as Lithium cells.

The Low Battery Detect can be enabled by setting the LBDEN bit (2) of the *Power Management Register* and disabled by clearing the bit.

## Power Management Register [POR=C000h]

|     |     |     |     |     |     |     |     |     |     |       |       |      |        |        |       |
|-----|-----|-----|-----|-----|-----|-----|-----|-----|-----|-------|-------|------|--------|--------|-------|
| Bit | Bit | Bit | Bit | Bit | Bit | Bit | Bit | Bit | Bit | Bit   | Bit   | Bit  | Bit    | Bit    | Bit   |
| 15  | 14  | 13  | 12  | 11  | 10  | 9   | 8   | 7   | 6   | 5     | 4     | 3    | 2      | 1      | 0     |
| 1   | 1   | 0   | 0   | 0   | 0   | 0   | 0   | TX1 | TX0 | OSCEN | SYNEN | PAEN | LB DEN | WKUPEN | CLKEN |

The Power Management Register enables/disables the following:

- Transmit Chain
- PLL
- Power Amplifier
- Synthesizer
- Crystal Oscillator
- Low battery Detect Circuit
- Wake-up Timer
- Clock Output

Bit [15..8] – **Command Code:** These bits are the command code that is sent serially to the processor that identifies the bits to be written to the Power Management register.

Bit [7..6] – **Transmit Chain Automatic Enable [EEPROM Mode]:** These bits enable the entire transmit chain when set. When TX1 is set, the oscillator and synthesizer turn-on are controlled by the chip. When the *Data Transmit Command* is issued, the oscillator is enabled. As soon as a stable frequency is reached the synthesizer is enabled. When TX0 is set, this turns on the power amplifier after the PLL has successfully achieved lock.

| Function   | TX1 | TX0 |
|--|-----|-----|
| Manual   | 0   | 0   |
| PA on after synth locked   | 0   | 1   |
| Osc and Synth on when Transmit Cmd issued                          | 1   | 0   |
| Osc and Synth on after Transmit Cmd, then PA on after synth locked | 1   | 1   |

Bit [5] – **Crystal Oscillator Enable:** This bit enables the oscillator circuit when set. The oscillator provides the reference signal for the synthesizer when setting the transmit frequency of use.

Bit [4] – **Synthesizer Enable:** This bit enables the synthesizer when set. The synthesizer contains the PLL, oscillator, and VCO for controlling the channel frequency. This must be enabled when the transmitter is enabled. The oscillator also must be enabled to provide the reference frequency for the PLL. On power-up the synthesizer performs a calibration automatically. If there are significant changes in voltage or temperature, recalibration can be performed by simply disabling the synthesizer and re-enabling it.

**NOTE:** For correct operation of the frequency synthesizer, the frequency and band of operation need to be programmed before the synthesizer is started. Directly after activation of the synthesizer, the RF VCO is calibrated to ensure proper operation in the programmed frequency band. It is suggested that recalibration routines be added to compensate for significant changes in temperature and supply voltages.

Bit [3] – **Power Amplifier Enable:** This bit enables the power amplifier when set. The power amplifier may be manually enabled from other functions.

Bit [2] – **Low Battery Detector:** This bit enables the battery voltage detect circuit when set. The battery detector can be programmed to 32 different threshold levels. See *Battery Detect Threshold and Clock Output Register* section for programming.

Bit [1] – **Wake-up Timer Enable:** This bit enables the wake-up timer when set. See *Wake-up Timer Period Register* section for programming the wake-up timer interval value.

Bit [0] – **Clock Output Disable:** This bit disables the oscillator clock output when set. On chip reset or power up, clock output is on so that a processor may begin execution of any special setup sequences as required by the designer. See *Battery Detect Threshold and Clock Output Register* section for programming details.

### Sleep Mode

The device enters sleep mode by writing a 0xC001 which disables all functions and turns off the clock output. If the clock output is not disabled by writing a '1' to bit 0, the oscillator circuit will continue to run and draw additional current.

## 5.0 Maximum Ratings

### Absolute Maximum Ratings

| Symbol            | Parameter                                     | Notes | Min  | Max                  | Units |
|-------------------|---|-------|------|----------------------|-------|
| VDD               | Positive supply voltage                       |       | -0.5 | 6                    | V     |
| V <sub>in</sub>   | Voltage on any pin (except RF_P and RF_N)     |       | -0.5 | V <sub>dd</sub> +0.5 | V     |
| V <sub>oc</sub>   | Voltage on open collector outputs (RF1, RF2)  | 1     | -0.5 | 6                    | V     |
| I <sub>in</sub>   | Input current into any pin except VDD and VSS |       | -25  | 25                   | mA    |
| ESD               | Electrostatic discharge with human body model |       |      | 1000                 | V     |
| T <sub>stg</sub>  | Storage temperature                           |       | -55  | 125                  | °C    |
| T <sub>lead</sub> | Lead temperature (soldering, max 10 s)        |       |      | 260                  | °C    |

Note 1: At maximum, VDD+1.5 V cannot be higher than 7 V.

### Recommended Operation Ratings

| Symbol            | Parameter                                       | Notes | Min                | Max                | Units |
|-------------------|---|-------|--------------------|--------------------|-------|
| VDD               | Positive supply voltage                         |       | 2.2                | 5.4                | V     |
| V <sub>DCRF</sub> | DC voltage on open collector outputs (RF1, RF2) | 1,2   | V <sub>dd</sub> -1 | V <sub>dd</sub> +1 | V     |
| T <sub>op</sub>   | Ambient operating temperature                   |       | -40                | 85                 | °C    |

Note 1: At minimum, VDD - 1.5 V cannot be lower than 1.2 V.

Note 2: At maximum, VDD+1.5 V cannot be higher than 5.5 V.

## 6.0 DC Electrical Characteristics

(Min/max values are valid over the whole recommended operating range V<sub>dd</sub> = 2.2-5.4V. Typical conditions: T<sub>op</sub> = 27°C; V<sub>dd</sub> = 3.0 V)

| Digital I/O  | Sym               | Notes | Limit Values         |     |                     | Unit | Test Conditions   |
|--|-------------------|-------|----------------------|-----|---------------------|------|---|
|  |                   |       | Min                  | typ | max                 |      |   |
| Parameter  |                   |       |                      |     |                     |      |   |
| Supply current (TX mode, P <sub>out</sub> = P <sub>max</sub> , into 50 Ohm Load) | I <sub>ddTX</sub> |       |                      | 10  | 12                  | mA   | 315MHz Band   |
|  |                   |       |                      | 10  | 12                  |      | 433MHz Band   |
|  |                   |       |                      | 12  | 14                  |      | 868MHz Band   |
|  |                   |       |                      | 13  | 15                  |      | 916MHz Band   |
| Sleep current  | I <sub>S</sub>    |       |                      | 0.2 |                     | μA   | All blocks disabled   |
| Idle current   | I <sub>IDLE</sub> |       |                      | 1.5 |                     | mA   | Oscillator and baseband enabled                             |
| Low battery voltage detector current consumption                                 | I <sub>VD</sub>   |       |                      | 0.5 |                     | μA   |   |
| Wake-up timer current consumption  | I <sub>WUT</sub>  |       |                      | 1.5 |                     | μA   |   |
| Low battery detect threshold   | V <sub>lb</sub>   |       | 2.2                  |     | 5.3                 | V    | Programmable in 0.1 V steps                                 |
| Low battery detection accuracy   |                   |       |                      | ±75 |                     | mV   |   |
| Digital input low level  | V <sub>il</sub>   |       |                      |     | 0.3*V <sub>dd</sub> | V    |   |
| Digital input high level   | V <sub>ih</sub>   |       | 0.7*V <sub>dd</sub>  |     |                     | V    |   |
| Digital input current low  | I <sub>il</sub>   |       | -1                   |     | 1                   | μA   | V <sub>il</sub> = 0 V                                       |
| Digital input current high   | I <sub>ih</sub>   |       | -1                   |     | 1                   | μA   | V <sub>ih</sub> = V <sub>dd</sub> , V <sub>dd</sub> = 5.4 V |
| Digital output low level   | V <sub>ol</sub>   |       |                      |     | 0.4                 | V    | I <sub>ol</sub> = 2 mA                                      |
| Digital output high level  | V <sub>oh</sub>   |       | V <sub>dd</sub> -0.4 |     |                     | V    | I <sub>oh</sub> = -2 mA                                     |
| Digital input capacitance  |                   |       |                      |     | 2                   | pF   |   |
| Digital output rise/fall time  |                   |       |                      |     | 10                  | ns   | Load = 15 pF  |

## 7.0 AC Electrical Characteristics

(Min/max values are valid over the whole recommended operating range Vdd = 2.2-5.4V. Typical conditions: Top = 27°C; Vdd = 3.0 V)

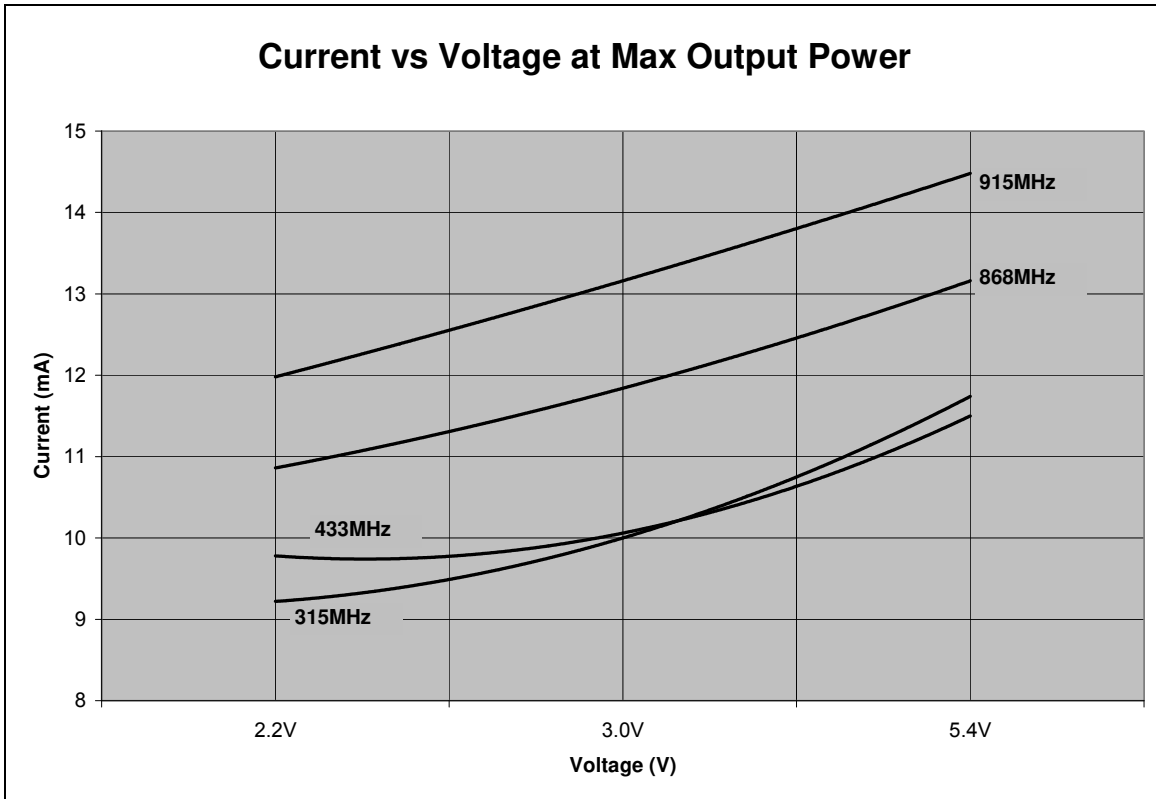
| Transmitter                       | Sym | Notes | Limit Values |     |     | Unit   | Test Conditions              |
|-----------------------------------|-----|-------|--------------|-----|-----|--------|------------------------------|
| Parameter                         |     |       | min          | typ | max |        |                              |
| Open collector output DC current  |     |       | 0.1          |     | 2.5 | mA     | Programmable                 |
| Output power (Differential Load)  | PDL |       |              | +3  |     | dBm    | 315MHz Band                  |
|                                   |     |       |              | +3  |     |        | 433 MHz Band                 |
|                                   |     |       |              | +1  |     |        | 868 MHz Band                 |
|                                   |     |       |              | +1  |     |        | 916 MHz Band                 |
| Output power (into 50 Ohms)       | Po  |       |              | 0   |     | dBm    | 315MHz Band                  |
|                                   |     |       |              | -1  |     |        | 433 MHz Band                 |
|                                   |     |       |              | -4  |     |        | 868 MHz Band                 |
|                                   |     |       |              | -4  |     |        | 916 MHz Band                 |
| Reference Spur                    |     |       |              | -60 |     | dBm    | 315MHz Band                  |
|                                   |     |       |              | -65 |     |        | 433MHz Band                  |
|                                   |     |       |              | -65 |     |        | 868MHz Band                  |
|                                   |     |       |              | -65 |     |        | 916MHz Band                  |
| 2nd Harmonics                     |     |       |              | -35 |     | dBm    | 315MHz Band                  |
|                                   |     |       |              | -35 |     |        | 433MHz Band                  |
|                                   |     |       |              | -40 |     |        | 868MHz Band                  |
|                                   |     |       |              | -45 |     |        | 916MHz Band                  |
| 3rd Harmonics                     |     |       |              | -35 |     | dBm    | 315MHz Band                  |
|                                   |     |       |              | -35 |     |        | 433MHz Band                  |
|                                   |     |       |              | -50 |     |        | 868MHz Band                  |
|                                   |     |       |              | -55 |     |        | 916MHz Band                  |
| Antenna tuning capacitance        |     |       | 1.5          | 2.3 | 3.1 | pF     | 315MHz Band                  |
|                                   |     |       |              |     |     |        | 433MHz Band                  |
|                                   |     |       | 1.6          | 2.2 | 2.8 |        | 868MHz Band                  |
|                                   |     |       |              |     |     |        | 916MHz Band                  |
| Output capacitance Quality factor |     |       | 16           | 18  | 22  |        | 315MHz Band                  |
|                                   |     |       |              |     |     |        | 433MHz Band                  |
|                                   |     |       |              |     |     |        | 868MHz Band                  |
|                                   |     |       |              |     |     |        | 916MHz Band                  |
| Phase noise                       |     |       |              | -75 |     | dBc/Hz | 100 kHz from carrier         |
|                                   |     |       |              | -85 |     |        | 1 MHz from carrier           |
| FSK bit rate                      |     |       |              |     | 256 | kbps   | ΔFSK = 210kHz                |
| OOK bit rate                      |     |       |              |     | 512 | kbps   |                              |
| FSK frequency deviation           |     |       | 30           |     | 210 | kHz    | Programmable in 30 kHz steps |

| Timing               | Sym | Notes | Limit Values |     |      | Unit | Test Conditions             |
|----------------------|-----|-------|--------------|-----|------|------|-----------------------------|
| Parameter            |     |       | min          | Typ | max  |      |                             |
| Internal POR timeout |     |       |              |     | 100  | ms   | Vdd at 90% of final value   |
| Wake-up timer period |     |       |              | 1   |      | ms   | Calibrated every 30 seconds |
| Wake-up Time         |     |       | 1            |     | 2e+9 | ms   |                             |

| PLL Characteristics | Sym | Notes | Limit Values |     |     | Unit | Test Conditions |
|---------------------|-----|-------|--------------|-----|-----|------|-----------------|
| Parameter           |     |       | min          | typ | max |      |                 |

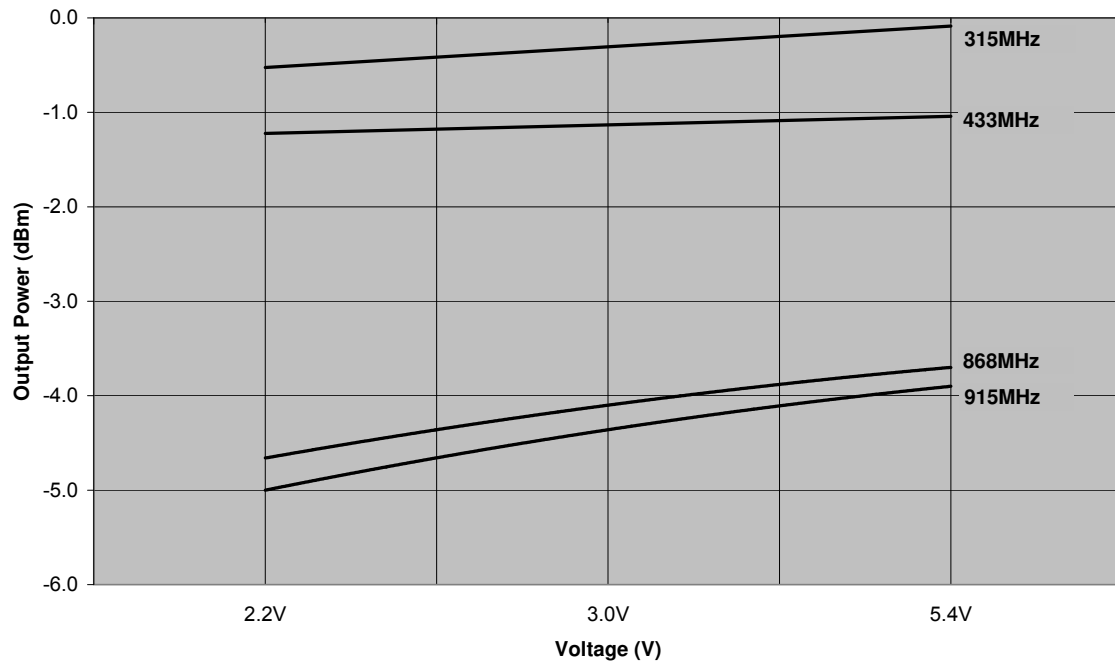
|                                  |    |  |        |      |        |     |   |
|----------------------------------|----|--|--------|------|--------|-----|---|
| PLL reference freq               |    |  | 8      | 10   | 12     | MHz |   |
| PLL lock time                    |    |  |        | 10   |        | us  | within 1kHz settle, 10MHz step                  |
| PLL startup time                 |    |  |        |      | 250    | us  | Crystal running                                 |
| Crystal load capacitance         | CL |  | 8.5    |      | 16     | pF  | Programmable in 0.5 pF steps, tolerance +/- 10% |
| Xtal oscillator startup time     |    |  |        | 1.25 | 5      | ms  | Crystal ESR < 100                               |
| Tuning Range (w/ 10MHz ref xtal) |    |  | 310.24 |      | 319.75 | MHz | 315MHz Band (2.5kHz steps)                      |
|                                  |    |  | 430.24 |      | 439.75 |     | 433MHz Band (2.5kHz steps)                      |
|                                  |    |  | 860.48 |      | 879.51 |     | 868MHz Band (5.0kHz steps)                      |
|                                  |    |  | 900.72 |      | 929.27 |     | 916MHz Band (7.5kHz steps)                      |

## 8.0 Transmitter Measurement Results





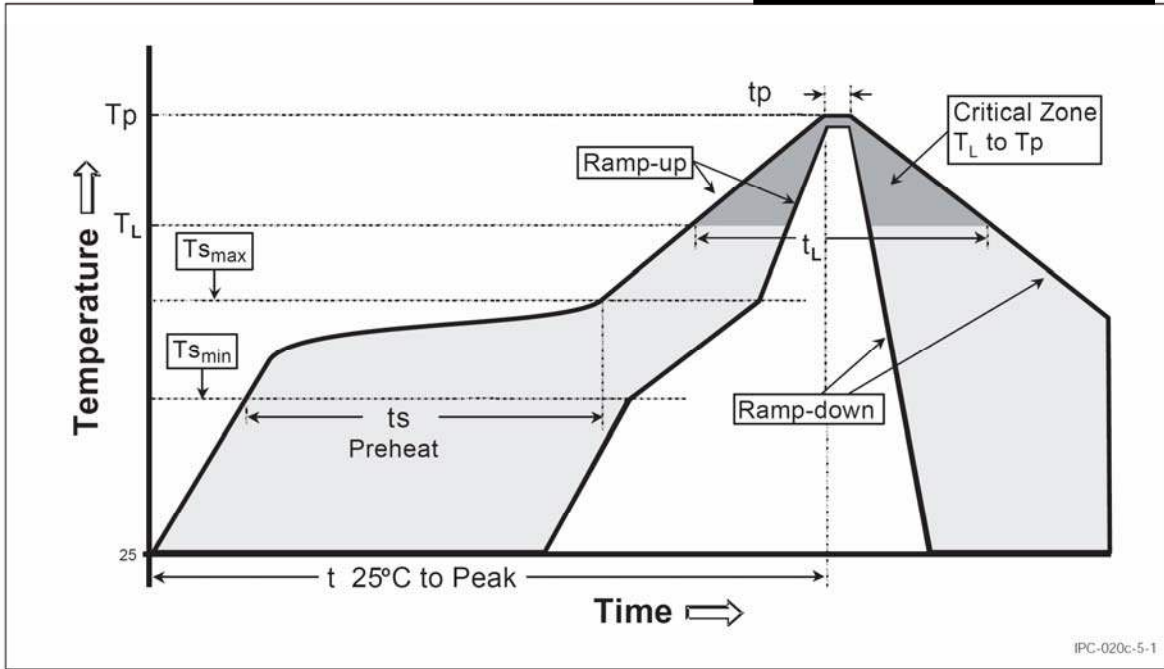
## Output Power vs Voltage



# IPC/JEDEC J-STD-020C REFLOW PROFILE

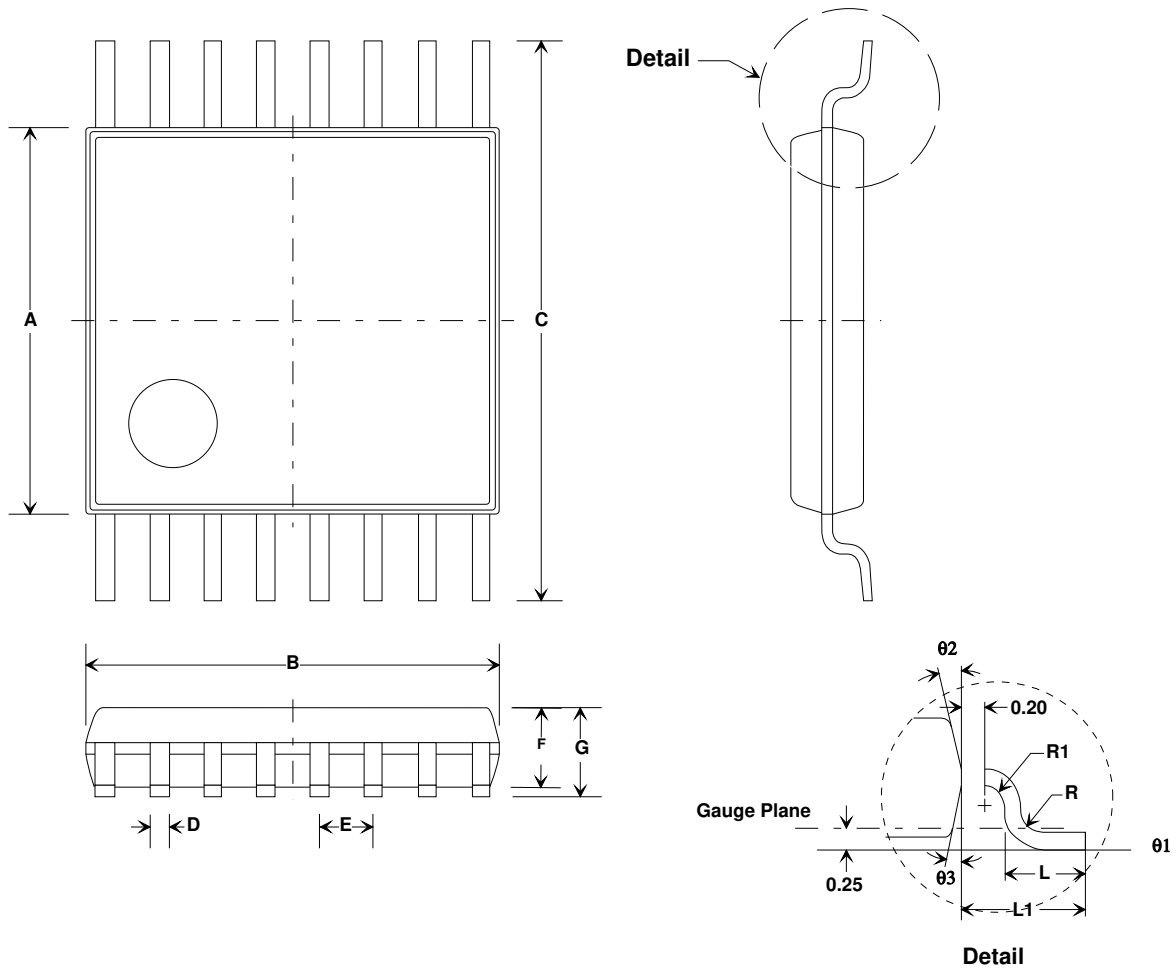
| Profile Feature                                       | Sn-Pb Eutectic Assembly | Pb-Free Assembly |
|---|-------------------------|------------------|
| Average Ramp-Up Rate ( $T_{s_{max}}$ to $T_p$ )       | 3 °C/second max.        | 3° C/second max. |
| <b>Preheat</b>  |                         |                  |
| - Temperature Min ( $T_{s_{min}}$ )                   | 100 °C                  | 150 °C           |
| - Temperature Max ( $T_{s_{max}}$ )                   | 150 °C                  | 200 °C           |
| - Time ( $t_{s_{min}}$ to $t_{s_{max}}$ )             | 60-120 seconds          | 60-180 seconds   |
| Time maintained above:                                |                         |                  |
| - Temperature ( $T_L$ )                               | 183 °C                  | 217 °C           |
| - Time ( $t_L$ )                                      | 60-150 seconds          | 60-150 seconds   |
| Peak/Classification Temperature ( $T_p$ )             | See Table 4.1           | See Table 4.2    |
| Time within 5 °C of actual Peak Temperature ( $t_p$ ) | 10-30 seconds           | 20-40 seconds    |
| Ramp-Down Rate  | 6 °C/second max.        | 6 °C/second max. |
| Time 25 °C to Peak Temperature                        | 6 minutes max.          | 8 minutes max.   |

**Note 1:** All temperatures refer to topside of the package, measured on the package body surface.



## 9.0 Package Dimensions – 6.4x5mm 16-pin TSSOP Package

(all values in mm)



| Symbol  | Dimensions in mm |      |      | Dimensions in Inches |       |       |
|---------|------------------|------|------|----------------------|-------|-------|
|         | Min              | Nom  | Max  | Min                  | Nom   | Max   |
| A       | 4.30             | 4.40 | 4.50 | 0.169                | 0.173 | 0.177 |
| B       | 4.90             | 5.00 | 5.10 | 0.193                | 0.197 | 0.201 |
| C       | 6.40 BSC.        |      |      | 0.252 BSC.           |       |       |
| D       | 0.19             |      | 0.30 | 0.007                |       | 0.012 |
| E       | 0.65 BSC.        |      |      | 0.026 BSC.           |       |       |
| F       | 0.80             | 0.90 | 1.05 | 0.031                | 0.035 | 0.041 |
| G       |                  |      | 1.20 |                      |       | 0.47  |
| L       | 0.50             | 0.60 | 0.75 | 0.020                | 0.024 | 0.030 |
| L1      | 1.00 REF.        |      |      | 0.39 REF             |       |       |
| R       | 0.09             |      |      | 0.004                |       |       |
| R1      | 0.09             |      |      | 0.004                |       |       |
| theta 1 | 0                |      | 8    | 0                    |       | 8     |
| theta 2 | 12 REF.          |      |      | 12 REF.              |       |       |
| theta 3 | 12 REF.          |      |      | 12 REF.              |       |       |