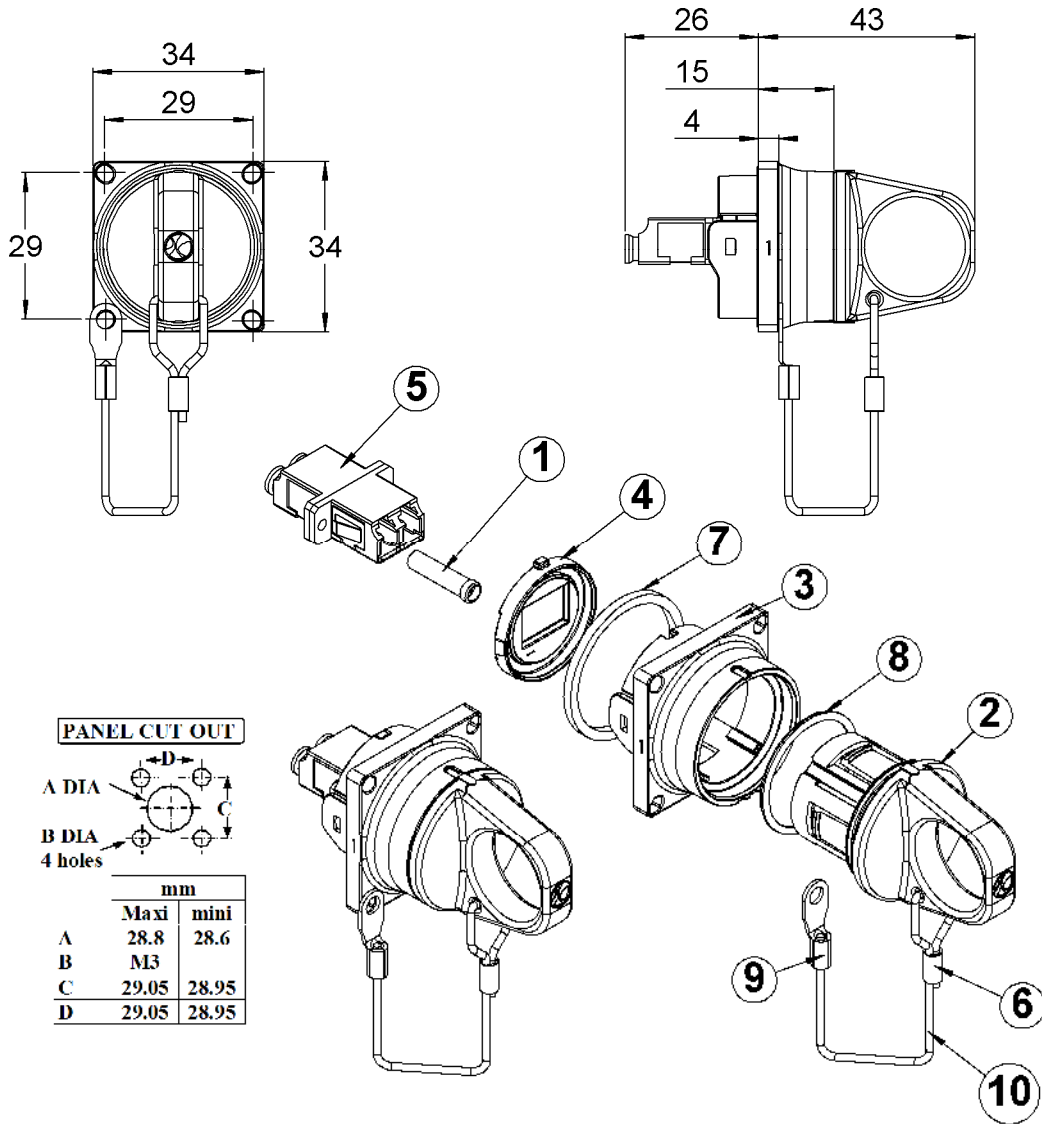


PAGE 1/2	ISSUE 1430C	SERIES	PART NUMBER OPUS107200
----------	-------------	--------	-------------------------------

Dimensions in mm



DESCRIPTION

REP	COMPONENT	MATERIALS	PLATING
1	Specific adaptor cap	PP	-
2	Protection cap	ABS 10SS	-
3	Receptacle body	PBT 30GF	-
4	LC Duplex insert	PBT 30GF	-
5	LC APC duplex adaptor	-	-
6	Sleeve	BRASS	BBR
7	Gasket panel sealing	Silicone	-
8	O-ring	Silicone	-
9	Lug	BRASS	BBR
10	Rope	PA	-

PAGE 2/2	ISSUE 1430C	SERIES	PART NUMBER OPUS107200
----------	--------------------	--------	-------------------------------

Dimensions in mm

GENERAL CHARACTERISTICS

Mechanical Mating endurance Tensile load	IEC 61300-2-2 IEC 61300-2-4	100 cycles 200N
Environmental Protection class Operating temperature Storage temperature Humidity (damp heat) Salt Mist Flammability RoHS	IEC 60529 IEC 61300-2-22 IEC 61300-2-22 IEC 61300-2-19 IEC 61300-2-26 UL94 -	IP67 mated -40°C to +85°C -25°C to +75°C 5% to 95% RH 672h (external side) V1 Compliant
Weight	21.46 g	
Others	For use with OPUS LC Duplex plug only : OPUS.117.200	
Packaging	Unitary in plastic bag / 60 Parts in 10L box.	