

4

3

2

1

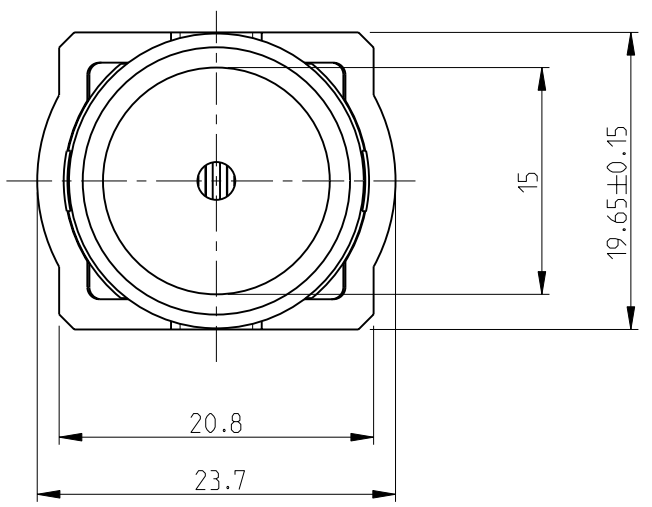
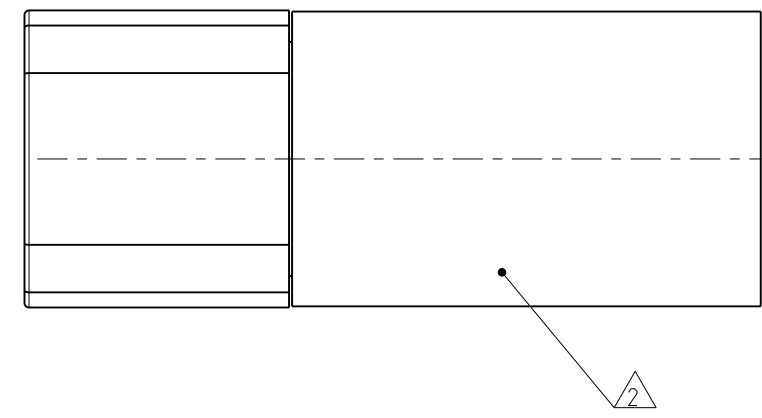
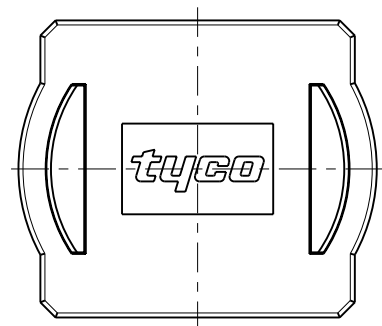
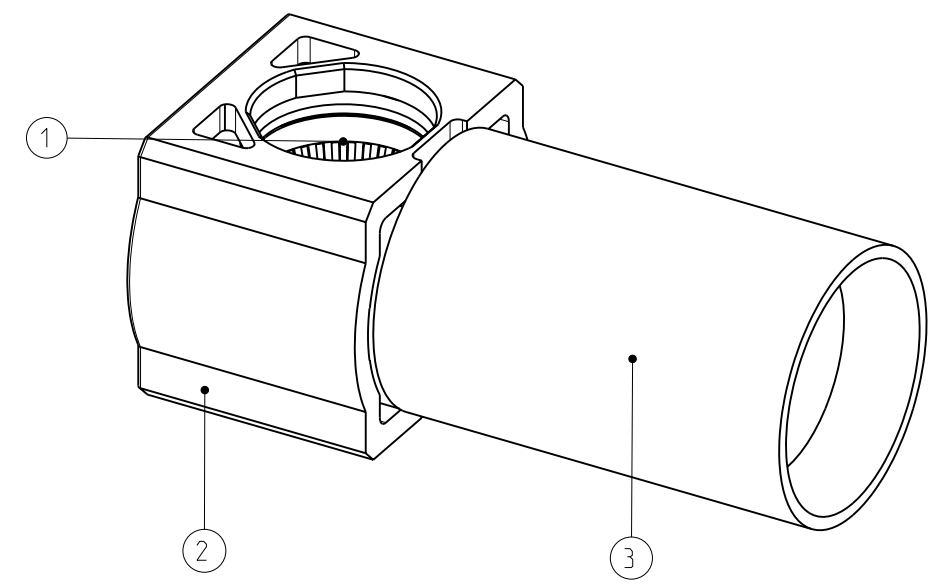
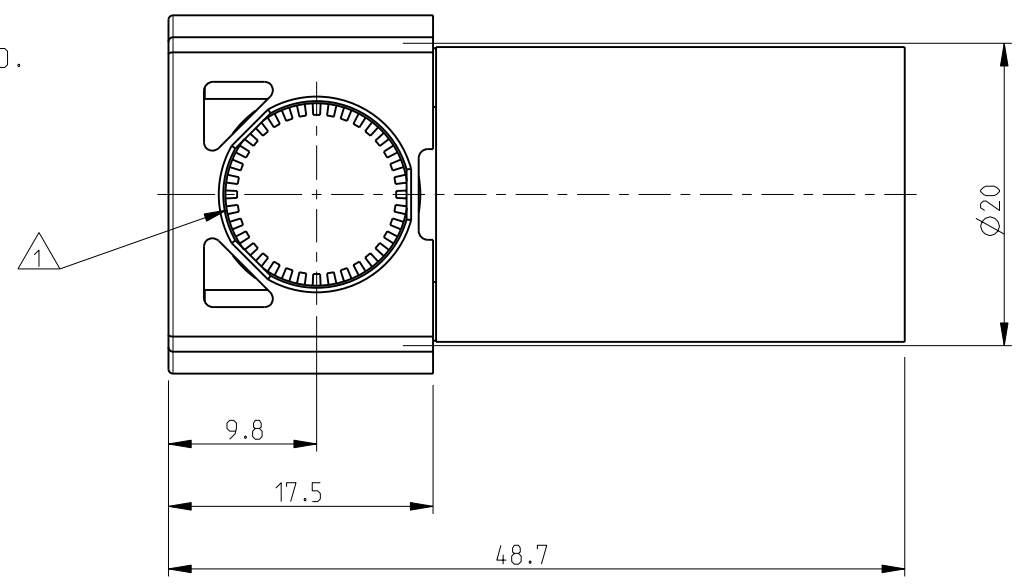
THIS DRAWING IS UNPUBLISHED. RELEASED FOR PUBLICATION

© COPYRIGHT - BY TYCO ELECTRONICS CORPORATION. ALL RIGHTS RESERVED.

LOC	DIST	REVISIONS					
H	-	P	LTR	DESCRIPTION	DATE	DWN	APVD
			A	Released As per ECR-10-025797	16DEC10	C.J	PKS

NOTES:

- 1 SOCKET SUITABLE FOR Ø12mm PIN.
- 2 CRIMP BARREL SUITABLE FOR 95mm² HIGH FLEXIBLE CABLE.
- 3 TERMINATION DETAILS TO BE DETERMINED.



BLUE	1857547-2
RED	1857547-1
COLOR	PART NUMBER

3	SOCKET CONTACT BODY	COPPER ALLOY	SILVER OVER NICKEL
2	INSULATOR	THERMOPLASTIC UL94V-0	COLOR: RED OR BLUE
1	FEMALE LOUVERTAC BAND	COPPER ALLOY	SILVER OVER NICKEL
ITEM NO.	DESCRIPTION	MATERIAL	FINISH

THIS DRAWING IS A CONTROLLED DOCUMENT FOR TYCO ELECTRONICS CORPORATION
IT IS SUBJECT TO CHANGE AND THE CONTROLLING ENGINEERING ORGANIZATION
SHOULD BE CONTACTED FOR THE LATEST REVISION.

DIMENSIONS:	TOLERANCES UNLESS OTHERWISE SPECIFIED:
mm	
	0 PLC ±-
	1 PLC ±-
	2 PLC ±-
	3 PLC ±-
	4 PLC ±-
	ANGLES ±
MATERIAL see table	FINISH see table

DWN R. Daamen 15 mar 05	Tyco Electronics Nederland BV 's-Hertogenbosch, The Netherlands
CHK P. Jaeger 30 mar 06	
APVD J. Broeksteeg 30 mar 06	
NAME	RAPID LOCK 12mm pin, 95Sq. mm
PRODUCT SPEC	
APPLICATION SPEC	
WEIGHT -	SIZE A3 CAGE CODE 00779 DRAWING NO C-1857547 RESTRICTED TO -
CUSTOMER DRAWING	SCALE 2:1 SHEET 1 OF 1 REV A