

D

C

B

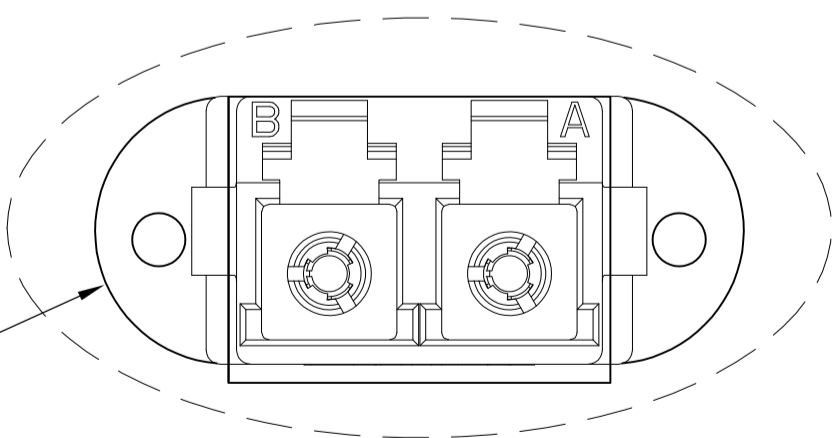
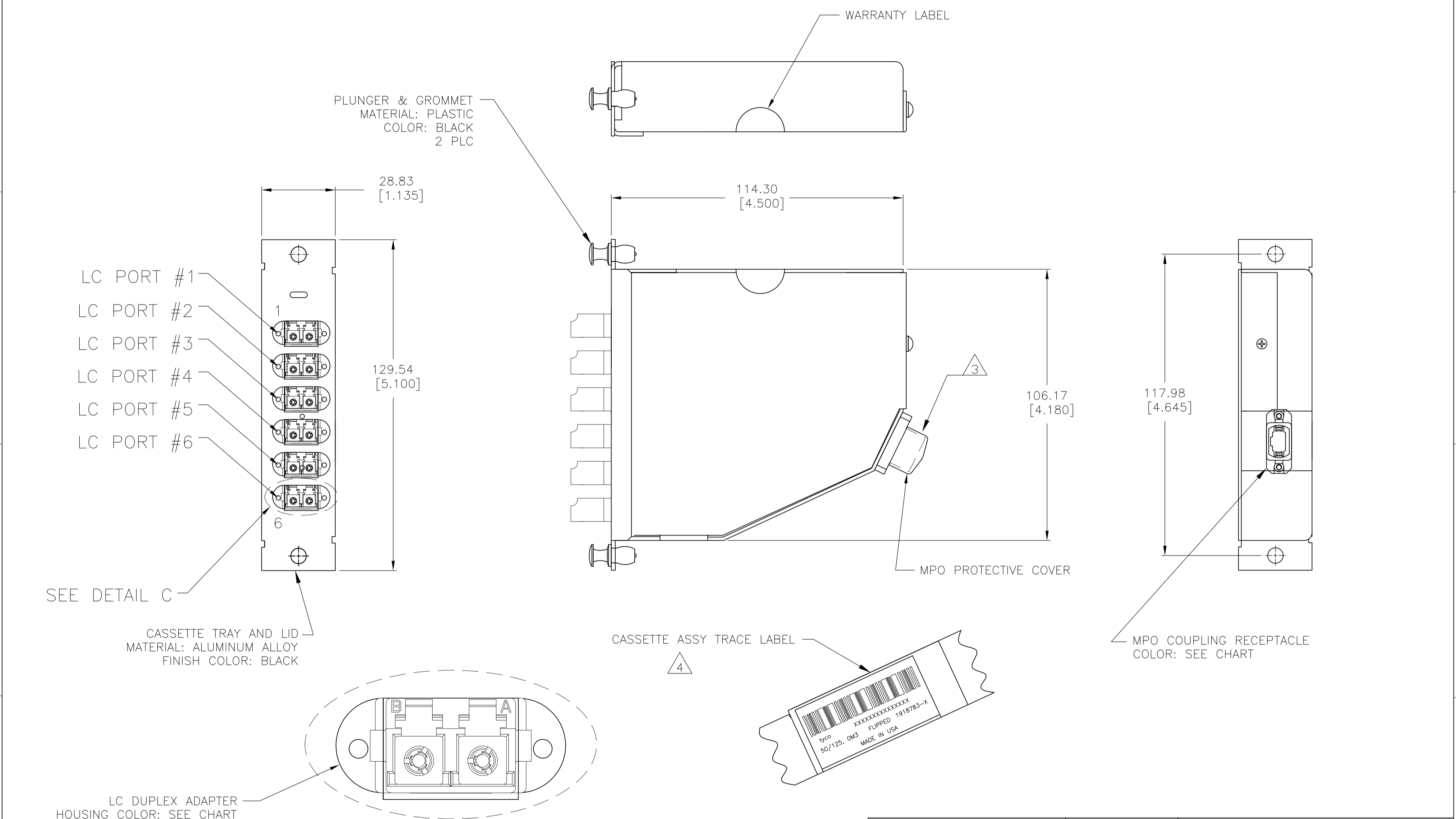
A

D

C

B

A



DETAIL C
 TYP. 6 PLC.

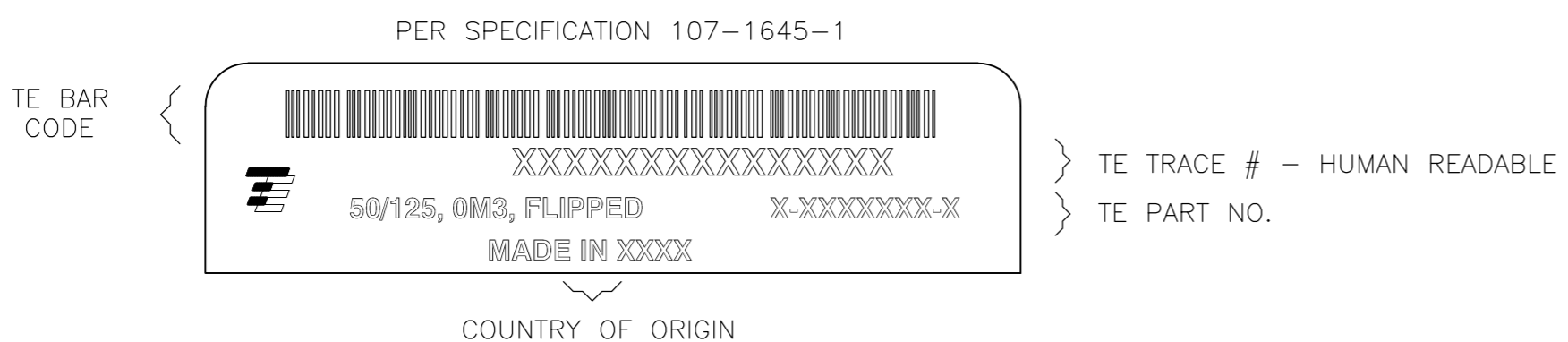
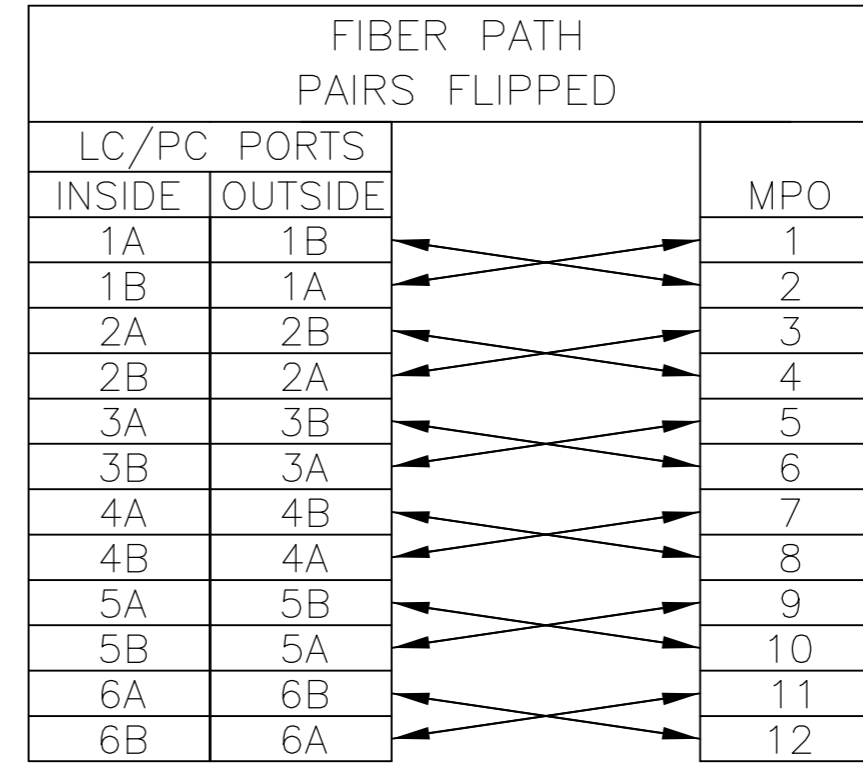
THIS DRAWING IS A CONTROLLED DOCUMENT.		DWN D. FENNELL 16MAR07	Tyco Electronics Corporation Harrisburg, PA 17105-3608	
DIMENSIONS: mm		CHK D. FENNELL 16MAR07	NAME CASSSETTE, 6 PORT, 50/125um, OM3, MPO TO LC, PAIRS FLIPPED	
TOLERANCES UNLESS OTHERWISE SPECIFIED:		APVD D. FENNELL 16MAR07	PRODUCT SPEC -	
0 PLC ± -		APPLICATION SPEC -		
1 PLC ± -		SIZE A2		
2 PLC ± -		CAGE CODE 00779		
3 PLC ± -		DRAWING NO 1918783		
4 PLC ± -		RESTRICTED TO -		
ANGLES ± ± -		SCALE NTS		
FINISH -		SHEET 1 of 2		
MATERIAL -		REV B		
		CUSTOMER DRAWING		

1918783

THIS DRAWING IS UNPUBLISHED. RELEASED FOR PUBLICATION
 © COPYRIGHT BY TYCO ELECTRONICS CORPORATION. ALL RIGHTS RESERVED.

LOC	DIST	REVISIONS			
P	LTR	DESCRIPTION	DATE	DWN	APVD
CE	17	SEE SHEET 1	-	-	-

- MAXIMUM CABLE ASSEMBLY INSERTION LOSS IS 1.00dB WHEN TESTED AT 850nm OR 1300nm.
- MINIMUM CABLE ASSEMBLY RETURN LOSS IS 23dB WHEN TESTED AT 850nm OR 1300nm.
- WHITE MARKING ON MPO TO BE FACING TOWARD TOP OF CONNECTOR MODULE. WHITE MARK INDICATES FIBER 1 SIDE
- SEE TRACE LABEL DETAIL
- A COPY OF CASSETTE ASSEMBLY LOSS TEST DATA WILL BE PLACED INSIDE OR WITH THE UNIT PACKAGE. CASSETTES WILL BE TESTED AT 850nm WAVELENGTH.
- PRODUCT AND PROCESSING MUST MEET REQUIREMENTS OF TYCO ELECTRONICS STANDARD TEC-138-702



4 TRACE LABEL DETAIL

AQUA SECURE	AQUA SECURE	1-1918783-1
SLATE SECURE	SLATE SECURE	1-1918783-0
ROSE SECURE	ROSE SECURE	1918783-9
VIOLET SECURE	VIOLET SECURE	1918783-8
BROWN SECURE	BROWN SECURE	1918783-7
ORANGE SECURE	ORANGE SECURE	1918783-6
YELLOW SECURE	YELLOW SECURE	1918783-5
BLUE SECURE	BLUE SECURE	1918783-4
GREEN SECURE	GREEN SECURE	1918783-3
RED SECURE	RED SECURE	1918783-2
BLACK STANDARD	AQUA STANDARD	1918783-1
MPO COUPLING BUSHING COLOR & TYPE	LC ADAPTER COLOR & TYPE	PART NUMBER

THIS DRAWING IS A CONTROLLED DOCUMENT.		DWN D. FENNEL	08NOV06	Tyco Electronics Corporation Harrisburg, PA 17105-3608	
DIMENSIONS: mm		CHK D. FENNEL	08NOV06	NAME CASSETTE, 6 PORT, 50/125um, OM3, MPO TO LC, PAIRS FLIPPED	
TOLERANCES UNLESS OTHERWISE SPECIFIED:		APVD D. FENNEL	08NOV06	PRODUCT SPEC	
0 PLC ± -		APPLICATION SPEC		RESTRICTED TO	
1 PLC ± -		WEIGHT		SIZE	
2 PLC ± -		-		CAGE CODE	
3 PLC ± -		-		DRAWING NO	
4 PLC ± -		-		A2 00779	
ANGLES ± -		-		C=1918783	
FINISH		-		SCALE	
-		-		NTS	
-		-		SHEET	
-		-		2 of 2	
-		-		REV	
-		-		B	
-		-		CUSTOMER DRAWING	

1918783