



Capacitor contactor, AC-6b 12.5 kVAR, / 400 V 1 NO + 1 NC, 24 V DC 3-pole, Size S00 screw terminal

<b>product brand name</b>	SIRIUS
<b>product designation</b>	capacitor contactors
<b>product type designation</b>	3RT26
<b>General technical data</b>	
<b>size of contactor</b>	S00
product extension auxiliary switch	No
<b>insulation voltage</b>	
• of main circuit with degree of pollution 3 rated value	690 V
• of auxiliary circuit with degree of pollution 3 rated value	690 V
<b>surge voltage resistance</b>	
• of main circuit rated value	6 kV
• of auxiliary circuit rated value	6 kV
maximum permissible voltage for safe isolation between coil and main contacts according to EN 60947-1	400 V
<b>shock resistance at rectangular impulse</b>	
• at DC	7.3g / 5 ms, 4.7g / 10 ms
<b>shock resistance with sine pulse</b>	
• at DC	11,4g / 5 ms, 7,3g / 10 ms
<b>mechanical service life (switching cycles)</b>	
• of the contactor with added auxiliary switch block typical	3 000 000
<b>electrical endurance (switching cycles)</b>	300 000
<b>reference code according to IEC 81346-2</b>	Q
<b>Substance Prohibitance (Date)</b>	05/01/2014
<b>Ambient conditions</b>	
installation altitude at height above sea level maximum	2 000 m
<b>ambient temperature</b>	
• during operation	-25 ... +60 °C
• during storage	-55 ... +80 °C
<b>relative humidity minimum</b>	10 %
<b>relative humidity at 55 °C according to IEC 60068-2-30 maximum</b>	95 %
<b>Main circuit</b>	
<b>number of NO contacts for main contacts</b>	3
<b>number of NC contacts for main contacts</b>	0
operational current at AC-6b at 690 V at ambient temperature 60 °C rated value	18 A
<b>operating reactive power at AC-6b</b>	
• at 230 V at 50/60 Hz at ambient temperature 60 °C rated value	0 ... 7.2 kvar

<ul style="list-style-type: none"> <li>at 400 V at 50/60 Hz at ambient temperature 60 °C rated value</li> </ul>	0 ... 12.5 kvar
<ul style="list-style-type: none"> <li>at 500 V at 50/60 Hz at ambient temperature 60 °C rated value</li> </ul>	0 ... 15 kvar
<ul style="list-style-type: none"> <li>at 690 V at 50/60 Hz at ambient temperature 60 °C rated value</li> </ul>	0 ... 21 kvar
<b>no-load switching frequency</b>	
<ul style="list-style-type: none"> <li>at DC</li> </ul>	500 1/h
<b>operating frequency at AC-6b</b>	
<ul style="list-style-type: none"> <li>at 230 V maximum</li> </ul>	180 1/h
<ul style="list-style-type: none"> <li>at 240 V maximum</li> </ul>	180 1/h
<ul style="list-style-type: none"> <li>at 400 V maximum</li> </ul>	180 1/h
<ul style="list-style-type: none"> <li>at 480 V maximum</li> </ul>	180 1/h
<ul style="list-style-type: none"> <li>at 500 V maximum</li> </ul>	180 1/h
<ul style="list-style-type: none"> <li>at 600 V maximum</li> </ul>	180 1/h
<ul style="list-style-type: none"> <li>at 690 V maximum</li> </ul>	180 1/h
<b>Control circuit/ Control</b>	
<b>type of voltage</b>	DC
<b>type of voltage of the control supply voltage</b>	DC
<b>control supply voltage at DC</b>	
<ul style="list-style-type: none"> <li>rated value</li> </ul>	24 V
<b>operating range factor control supply voltage rated value of magnet coil at DC</b>	
<ul style="list-style-type: none"> <li>initial value</li> </ul>	0.85
<ul style="list-style-type: none"> <li>full-scale value</li> </ul>	1.1
<b>closing power of magnet coil at DC</b>	4 W
<b>holding power of magnet coil at DC</b>	4 W
<b>closing delay</b>	
<ul style="list-style-type: none"> <li>at DC</li> </ul>	30 ... 100 ms
<b>opening delay</b>	
<ul style="list-style-type: none"> <li>at DC</li> </ul>	7 ... 13 ms
<b>arcing time</b>	10 ... 15 ms
<b>control version of the switch operating mechanism</b>	Standard A1 - A2
<b>residual current of the electronics for control with signal &lt;0&gt;</b>	
<ul style="list-style-type: none"> <li>at DC at 24 V maximum permissible</li> </ul>	10 mA
<b>Auxiliary circuit</b>	
<b>number of NC contacts for auxiliary contacts</b>	1
<ul style="list-style-type: none"> <li>attachable</li> </ul>	0
<ul style="list-style-type: none"> <li>instantaneous contact</li> </ul>	1
<b>number of NO contacts for auxiliary contacts</b>	1
<ul style="list-style-type: none"> <li>attachable</li> </ul>	0
<ul style="list-style-type: none"> <li>instantaneous contact</li> </ul>	1
<b>operational current of auxiliary contacts at AC-12 maximum</b>	10 A
<b>operational current of auxiliary contacts at AC-15</b>	
<ul style="list-style-type: none"> <li>at 230 V</li> </ul>	6 A
<ul style="list-style-type: none"> <li>at 400 V</li> </ul>	3 A
<b>operational current of auxiliary contacts at DC-13</b>	
<ul style="list-style-type: none"> <li>at 24 V</li> </ul>	6 A
<ul style="list-style-type: none"> <li>at 60 V</li> </ul>	2 A
<ul style="list-style-type: none"> <li>at 110 V</li> </ul>	1 A
<ul style="list-style-type: none"> <li>at 125 V</li> </ul>	0.9 A
<ul style="list-style-type: none"> <li>at 220 V</li> </ul>	0.3 A
<b>contact reliability of auxiliary contacts</b>	0.00000001
<b>UL/CSA ratings</b>	
<b>contact rating of auxiliary contacts according to UL</b>	A600 / Q600
<b>Short-circuit protection</b>	
<b>design of the fuse link</b>	
<ul style="list-style-type: none"> <li>for short-circuit protection of the main circuit with type of coordination 1 required</li> </ul>	gG: 40 A (690 V, 50 kA)

- for short-circuit protection of the auxiliary switch required

gG: 10 A (500 V, 1 kA)

### Installation/ mounting/ dimensions

<b>mounting position</b>	+/-180° rotation possible on vertical mounting surface; can be tilted forward and backward by +/- 22.5° on vertical mounting surface
<b>fastening method</b>	screw and snap-on mounting onto 35 mm standard mounting rail according to DIN EN 50022
<b>height</b>	125 mm
<b>width</b>	45 mm
<b>depth</b>	120 mm
<b>required spacing</b>	
<ul style="list-style-type: none"> <li>• with side-by-side mounting at the side</li> <li>• for grounded parts at the side</li> </ul>	<p>10 mm</p> <p>10 mm</p>

### Connections/ Terminals

<b>type of electrical connection</b>	
<ul style="list-style-type: none"> <li>• for main current circuit</li> <li>• for auxiliary and control circuit</li> <li>• at contactor for auxiliary contacts</li> <li>• of magnet coil</li> </ul>	<p>screw-type terminals</p> <p>screw-type terminals</p> <p>Screw-type terminals</p> <p>Screw-type terminals</p>
<b>type of connectable conductor cross-sections</b>	
<ul style="list-style-type: none"> <li>• for main contacts</li> <li>— solid</li> <li>— stranded</li> <li>— solid or stranded</li> <li>— finely stranded with core end processing</li> <li>• at AWG cables for main contacts</li> </ul>	<p>2x (0.5 ... 1.5 mm<sup>2</sup>), 2x (0.75 ... 2.5 mm<sup>2</sup>), 2x 4 mm<sup>2</sup></p> <p>2x (0.5 ... 1.5 mm<sup>2</sup>), 2x (0.75 ... 2.5 mm<sup>2</sup>), 2x 4 mm<sup>2</sup></p> <p>2x (0.5 ... 1.5 mm<sup>2</sup>), 2x (0.75 ... 2.5 mm<sup>2</sup>), 2x 4 mm<sup>2</sup></p> <p>2x (0.5 ... 1.5 mm<sup>2</sup>), 2x (0.75 ... 2.5 mm<sup>2</sup>)</p> <p>2x (20 ... 16), 2x (18 ... 14), 2x 12</p>
<b>type of connectable conductor cross-sections</b>	
<ul style="list-style-type: none"> <li>• for auxiliary contacts</li> <li>— solid</li> <li>— solid or stranded</li> <li>— finely stranded with core end processing</li> <li>• at AWG cables for auxiliary contacts</li> </ul>	<p>2x (0.5 ... 1.5 mm<sup>2</sup>), 2x (0.75 ... 2.5 mm<sup>2</sup>), 2x 4 mm<sup>2</sup></p> <p>2x (0.5 ... 1.5 mm<sup>2</sup>), 2x (0.75 ... 2.5 mm<sup>2</sup>), 2x 4 mm<sup>2</sup></p> <p>2x (0.5 ... 1.5 mm<sup>2</sup>), 2x (0.75 ... 2.5 mm<sup>2</sup>)</p> <p>2x (20 ... 16), 2x (18 ... 14), 2x 12</p>
<b>type of minimum connectable cross-section for main contacts at AC-6b</b>	
<ul style="list-style-type: none"> <li>• at 40 °C</li> <li>• at 60 °C</li> </ul>	<p>1x 4 mm<sup>2</sup>, 2x 2.5 mm<sup>2</sup></p> <p>2x 4 mm<sup>2</sup></p>
AWG number as coded connectable conductor cross section for main contacts	20 ... 12

### Safety related data

<b>product function</b>	
<ul style="list-style-type: none"> <li>• mirror contact according to IEC 60947-4-1</li> <li>• positively driven operation according to IEC 60947-5-1</li> </ul>	<p>No</p> <p>No</p>
<b>protection class IP on the front according to IEC 60529</b>	IP20
<b>touch protection on the front according to IEC 60529</b>	finger-safe, for vertical contact from the front

### Certificates/ approvals

General Product Approval

EMC



[Confirmation](#)



Declaration of Conformity

Test Certificates

Marine / Shipping



[Type Test Certificates/Test Report](#)



other

Dangerous Good

[Confirmation](#)



[Transport Information](#)

### Further information

Information- and Downloadcenter (Catalogs, Brochures,...)

<https://www.siemens.com/ic10>

Industry Mall (Online ordering system)

<https://mall.industry.siemens.com/mall/en/en/Catalog/product?mlfb=3RT2617-1BB43>

Cax online generator

<http://support.automation.siemens.com/WW/CAXorder/default.aspx?lang=en&mlfb=3RT2617-1BB43>

Service&Support (Manuals, Certificates, Characteristics, FAQs,...)

<https://support.industry.siemens.com/cs/ww/en/ps/3RT2617-1BB43>

Image database (product images, 2D dimension drawings, 3D models, device circuit diagrams, EPLAN macros, ...)

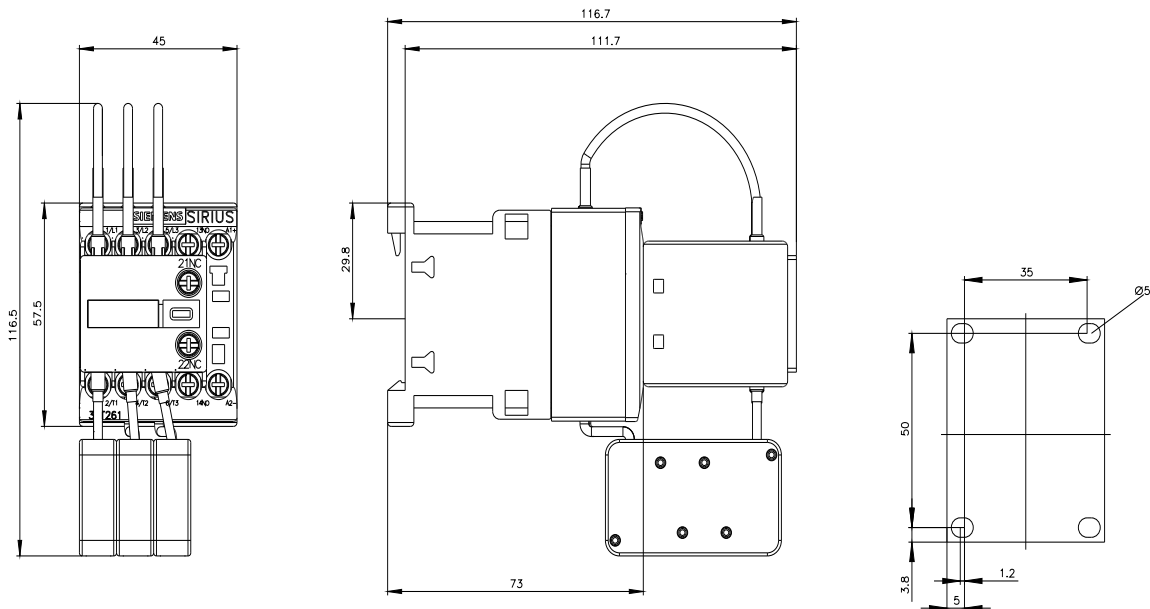
[http://www.automation.siemens.com/bilddb/cax\\_de.aspx?mlfb=3RT2617-1BB43&lang=en](http://www.automation.siemens.com/bilddb/cax_de.aspx?mlfb=3RT2617-1BB43&lang=en)

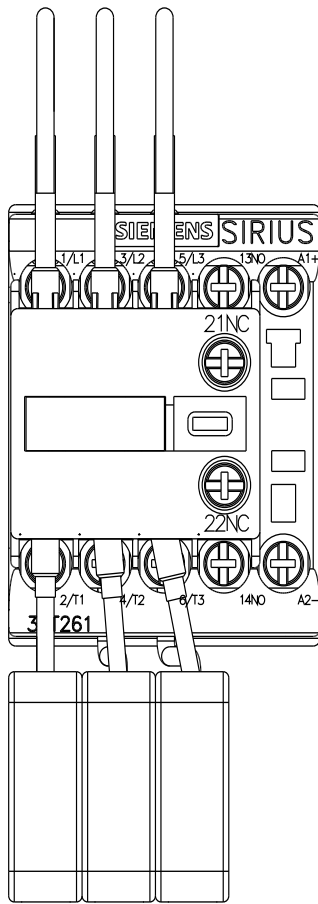
Characteristic: Tripping characteristics, I<sup>2</sup>t, Let-through current

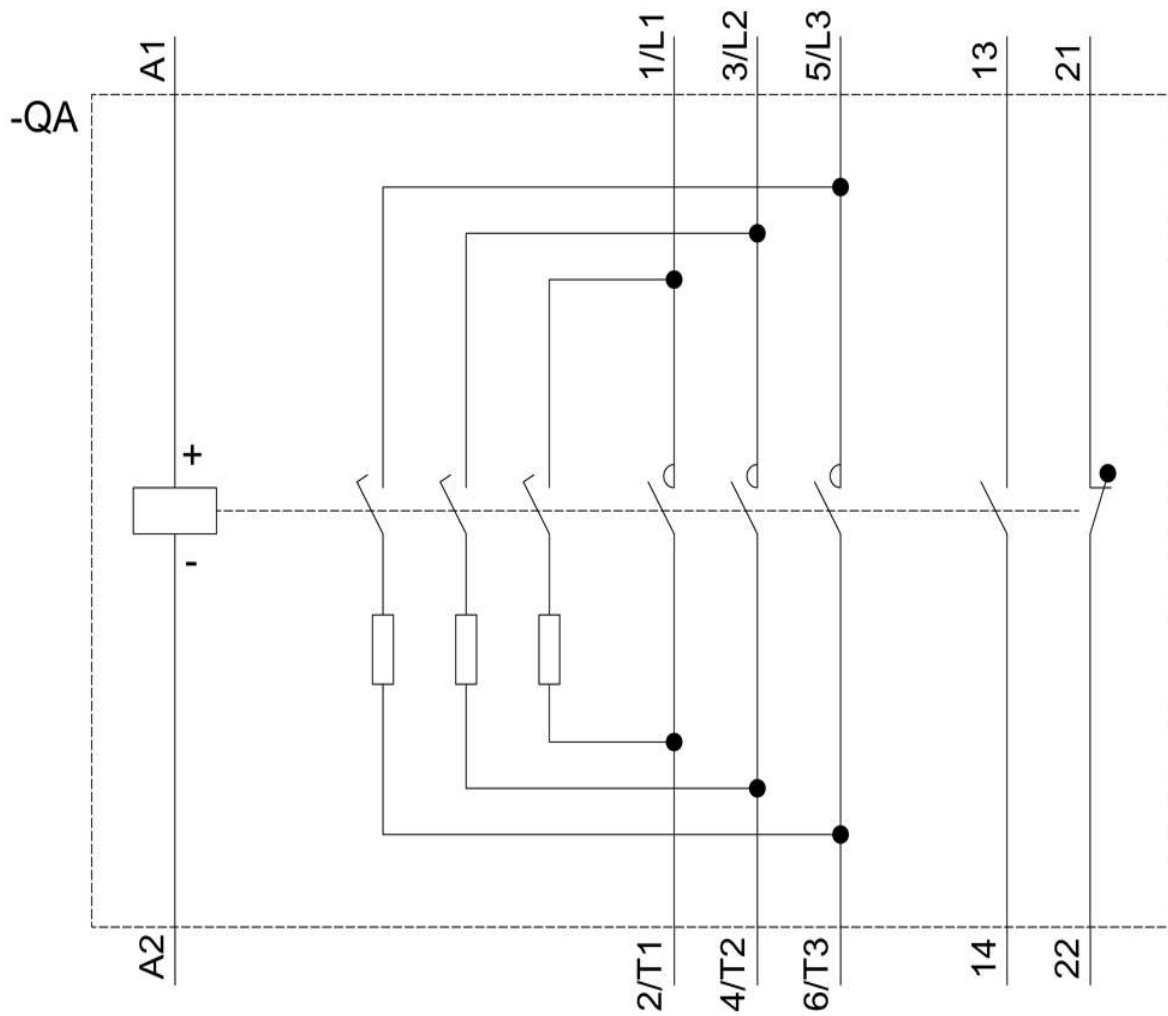
<https://support.industry.siemens.com/cs/ww/en/ps/3RT2617-1BB43/char>

Further characteristics (e.g. electrical endurance, switching frequency)

<http://www.automation.siemens.com/bilddb/index.aspx?view=Search&mlfb=3RT2617-1BB43&objecttype=14&gridview=view1>







last modified:

12/8/2021 