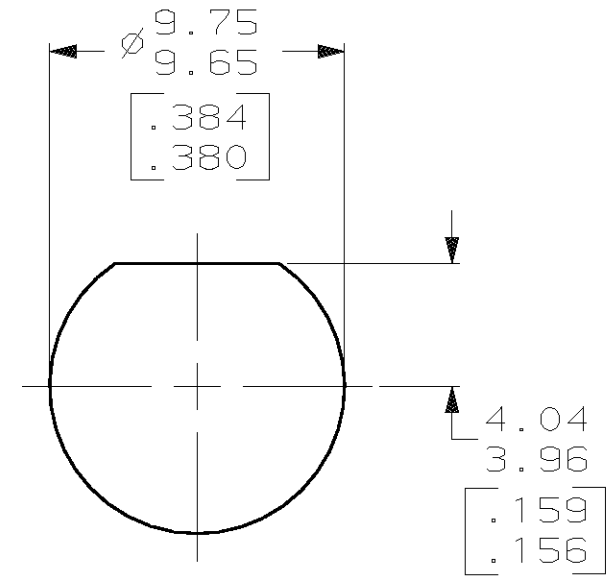
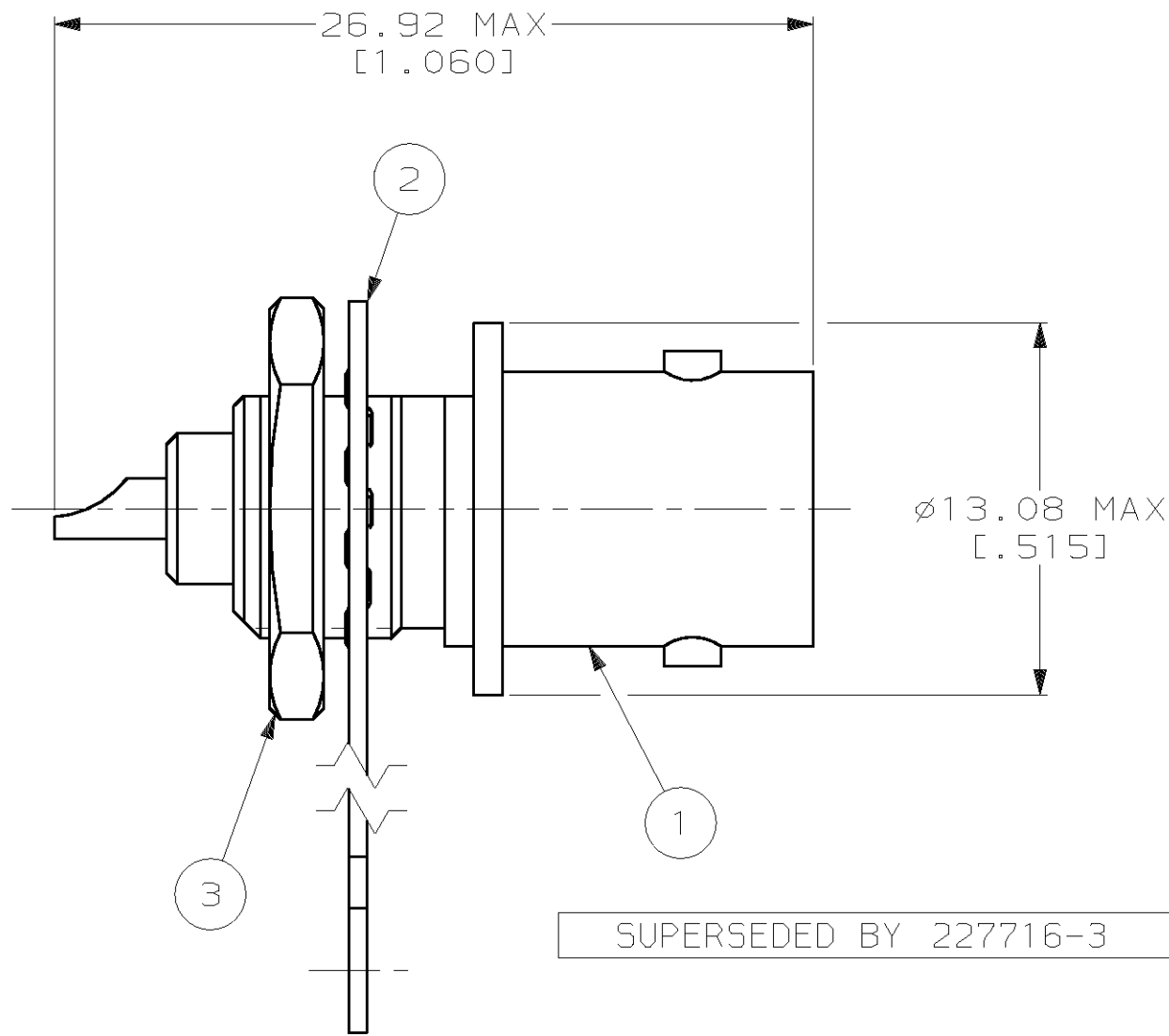


THIS DRAWING IS UNPUBLISHED. RELEASED FOR PUBLICATION, 19 .
 © COPYRIGHT 19 BY AMP INCORPORATED. ALL INTERNATIONAL RIGHTS RESERVED.

LOC	DIST	P	F	ZONE	LTR	DESCRIPTION	DATE	APPD
AJ	16				C	REDWN & OBS -2 PER AJ-2713	07-26-91	BAS
					D	SUPSD -1 PER AJ-6066	09-16-92	KT
					E	REV PER 0220-0371-94	6-1-94	JL



RECOMMENDED PANEL CUTOUT

SUPERSEDED BY 227716-3

1-330249-1	227260-2	227717-3	227716-3
1-330249-1	227260-2	227717-1	227716-1
3 JAM NUT QTY=1	2 LOCKWASHER, TERMINAL QTY=1	1 JACK ASSY QTY=1	PART NUMBER

		PART NO	
DO NOT SCALE PRINT. UNLESS SPECIFIED DIMENSIONS IN mm [INCHES] TOLERANCES ON: 2 PLC DEC ± - 3 PLC DEC ± - ANGLES ± - MATERIAL - FINISH -	DR 07-26-91 B. SCOTT	AMP Incorporated Harrisburg, PA 17105-3608	
	CHK 8-14-91 J. LIPPERT		
	APPD 8-15-91 M. PHILLIPS	NAME SOLDER JACK, SERIES BNC	
	APPD 8-15-91 J. LIPPERT	SIZE B	CAGE CODE 00779
	PRODUCT SPEC -	SCALE 4:1	SHEET 1 OF 1
	APPLICATION SPEC -		
	WEIGHT -		