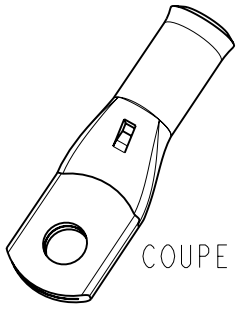
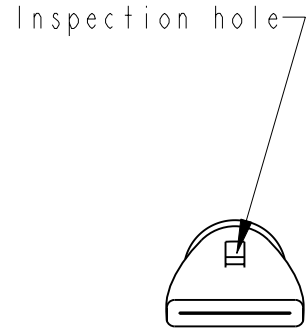
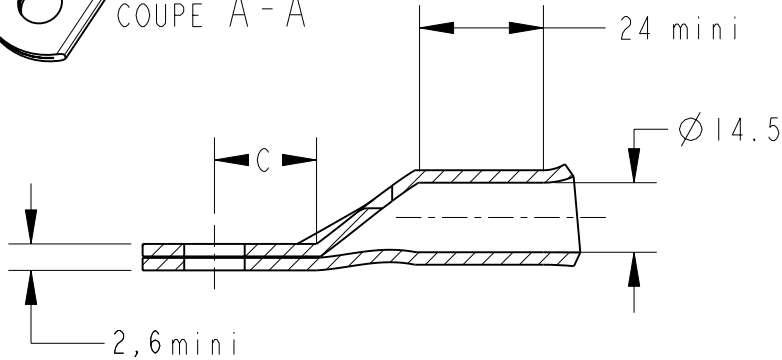


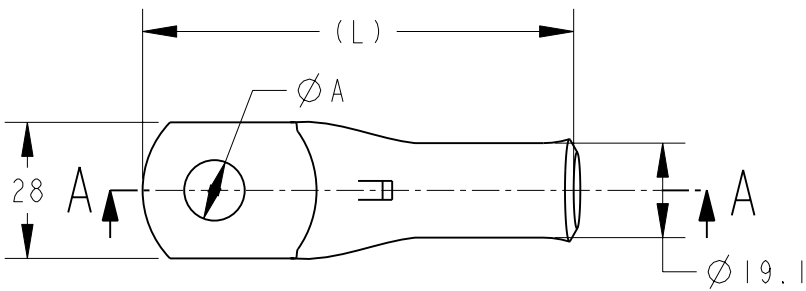
LOC		DIST		REVISIONS					
P	LTR REV	DESCRIPTION MODIFICATIONS		DATE	DWN DESS.	APVD APP.			
FH		00		E	MISE A JOURS / AJOUT NOTA		07DEC2009	BG	GP
		F	ECR-11-018538		07SEP2011	LP	NA		



COUPE A-A



Ces produits répondent à la norme NFC 20-130.  
 These products are NFC 20-130 compliant.



(L)	C	ØA	DESCRIPTION	PART NUMBER
76	16,3	10,3	XCT 120-10	709820-1
76	16,3	12,8	XCT 120-12	709820-3
76	16,3	14,5	XCT 120-14	709820-4
76	16,3	16,5	XCT 120-16	709820-6
76	16,3	18,5	XCT 120-18	709820-7

- 1 - MATERIAL = TINNED COPPER
- 2 - Marking in depth: logo-section-hole-Made in France +
- 3 - CABLE SECTION = 250 MCM or 120mm<sup>2</sup>
- 4 - GROOVE E120Cu OR DIE (Punch 17PC120+ Die 17MI20)


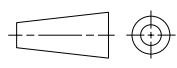
20

RELEASED FOR PUBLICATION  
 LIBRE A LA DIFFUSION

ALL RIGHTS RESERVED.  
 TOUS DROITS RESERVES.

THIS DRAWING IS UNPUBLISHED.  
 DIFFUSION RESTREINTE

© COPYRIGHT 20

DIMENSIONS: mm		DWN/DESSINE D. LEGUY	15DEC00	MATERIAL MATIERE	CUIVRE	TOLERANCES UNLESS OTHERWISE SPECIFIED: TOLERANCES NON SPECIFIEES:	-
<del>TOLERANCES UNLESS OTHERWISE SPECIFIED: TOLERANCES NON SPECIFIEES (SUIV NB DE DECIMALES): 0 PLC/DEC: ±0 1 PLC/DEC: ±0 2 PLC/DEC: ±0 3 PLC/DEC: ±0 4 PLC/DEC: ±0 ANGLES ±</del>		CHK/VERIFIE E. DEREY	-	 TE Connectivity			
		APVD/APPROUVE N. ALMEIDA	-				
		PRODUCT SPEC SPEC. PRODUIT	-	NAME TITRE	XCT 120-..		
		APPLICATION SPEC SPEC. APPLICATION	-	SIZE FORMAT	CAGE CODE	DRAWING NO No PLAN	RESTRICTED TO RESERVE A
WEIGHT MASSE APPROX.		A4		00779	C=709820		-
CUSTOMER DRAWING		/PLAN CLIENT		UNIQUEMENT POUR REFERENCE	SCALE ECHELLE - / -	SHEET FEUILLE 1	OF DE 1
						REV	F