



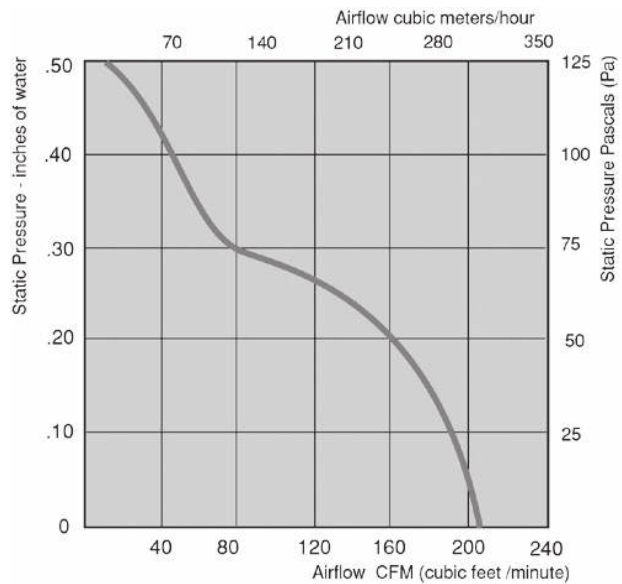
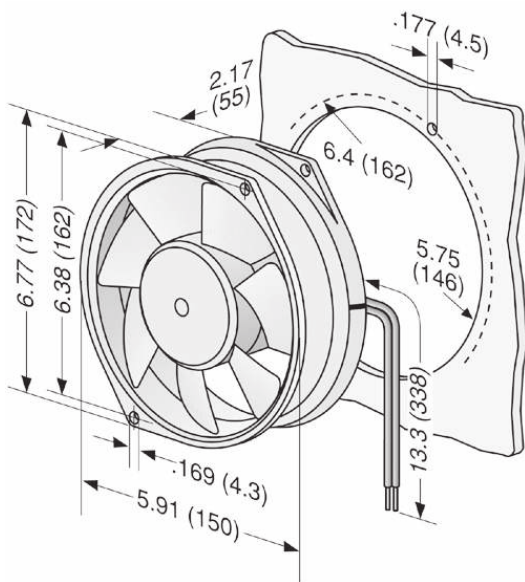
W2G130 Series

Tubeaxial

Ø 150x55mm

- DC fans with electronically commutated external rotor motor. Fully integrated commutation electronics.
- With electronic protection against reverse polarity and locked-rotor.
- Mounting from either face using two 4.5 mm holes.
- Die-cast aluminum housing. Impeller of sheet-steel, directly welded on to rotor and stove-enameled in black.
- Air exhaust over struts. Rotational direction CCW looking at rotor.
- Connecting leads: red = +; blue = -
- UL, CSA, VDE approvals on some models, please contact application engineering.

| Part Number | CFM @ D | VDC | Volt. Range | Power (W) | dB(A) | Max Amb. Temp C | Bearing Type | Features | Wgt. (lbs) |
|----------------|---------|-----|-------------|-----------|-------|-----------------|--------------|----------|------------|
| W2G130-AA31-01 | 203 | 12 | 6 to 16 | 14.0 | 51 | 60 | Ball | Leads | 2.19 |
| W2G130-AA31-20 | 203 | 12 | 6 to 16 | 14.0 | 51 | 60 | Ball | Leads | 2.19 |
| W2G130-AA33-01 | 203 | 24 | 18 to 30 | 14.0 | 51 | 60 | Ball | Leads | 2.19 |
| W2G130-AA33-20 | 203 | 24 | 18 to 30 | 14.0 | 51 | 60 | Ball | Leads | 2.19 |
| W2G130-AA09-01 | 203 | 48 | 36 to 56 | 14.0 | 51 | 60 | Ball | Leads | 2.19 |
| W2G130-AA09-20 | 203 | 48 | 36 to 56 | 14.0 | 51 | 60 | Ball | Leads | 2.19 |



ebmpapst

e-mail: sales@us.ebmpapst.com · TEL: 860-674-1515 · FAX: 860-674-8536

ebm-papst Inc., 100 Hyde Road, Farmington, CT 06034 USA

ebm-papst Inc., 2004 © ebm-papst Inc. reserves the right to change any specifications or data without notice