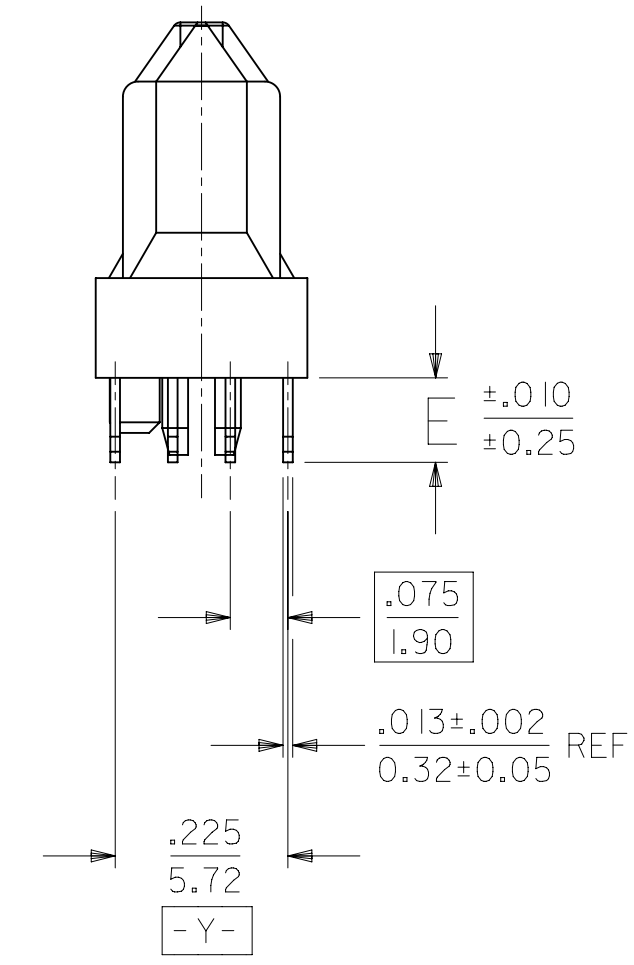
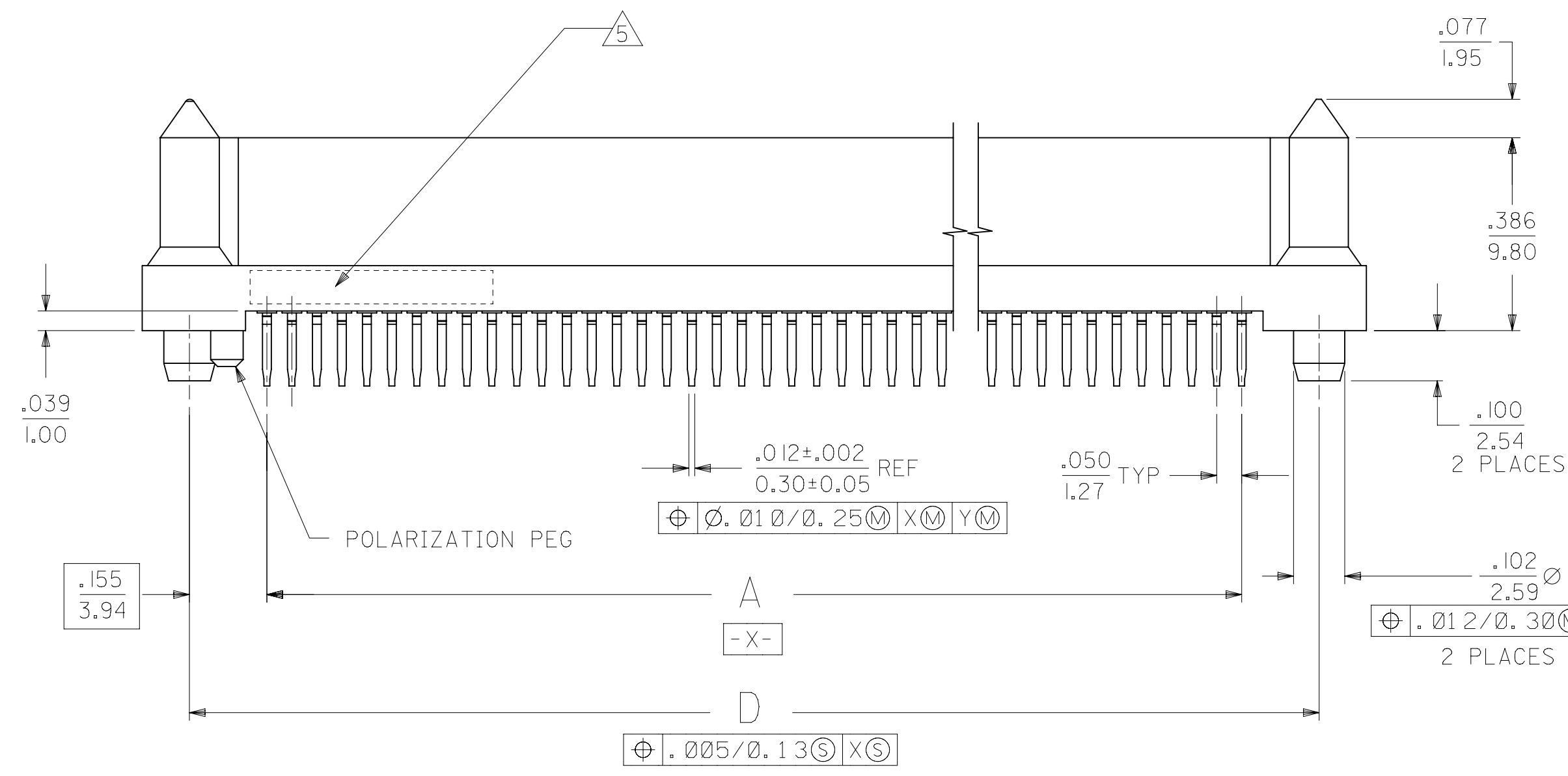


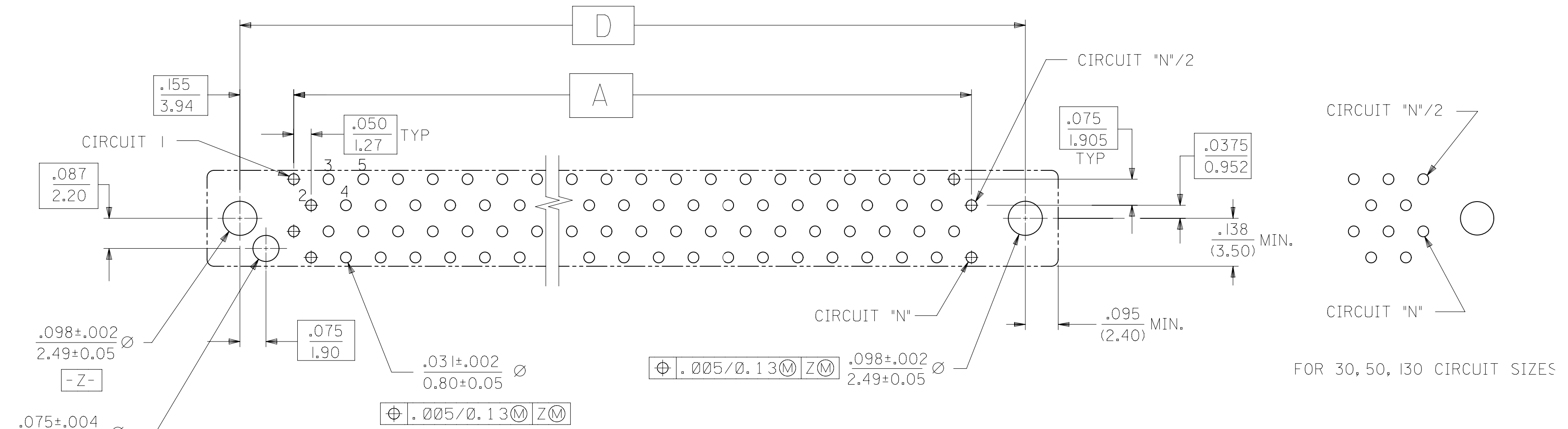
NOTES:

- 1) MATERIALS:
HOUSING- LCP, GLASS FILLED, 94V-0, BLACK.
TERMINALS- COPPER ALLOY
- 2) FINISH:
TERMINALS:
.000030/(0.00076) MINIMUM GOLD IN CONTACT AREA AND
.000050/(0.00127) MINIMUM TIN IN TAIL AREA OVER
.000075/(0.00191) MINIMUM NICKEL UNDERPLATE OVERALL.
- 3) ASSEMBLY MATES WITH MOLEX P/N SDA-71661-7***.
CONFORMS TO PRODUCT SPECIFICATION PS-71660.

- 4) MINIMUM RECOMMENDED SOLDER TAIL LENGTH (E) IS
PCB THICKNESS + 0.020" (0.50MM)
REFER TO IPC-610 FOR MAXIMUM TAIL LENGTH
- 5) FOUR DIGIT DATE CODE TO BE LOCATED ON SURFACE
AS SHOWN.



THIS DRAWING CONTAINS INFORMATION THAT IS PROPRIETARY TO MOLEX ELECTRONIC TECHNOLOGIES, LLC AND SHOULD NOT BE USED WITHOUT WRITTEN PERMISSION									
DIMENSION UNITS		SCALE		CURRENT REV DESC: OBSOLETE PART NUMBERS					
IN/MM		NTS		<p>molex</p> <p>EBBI 50D VERTICAL RCPT BLIND MATE CONNECTOR SALES ASSEMBLY</p> <p>PRODUCT CUSTOMER DRAWING</p> <p>DOCUMENT NUMBER: SDA-71660-7XXX DOC TYPE: PSD DOC PART: 001 REVISION: R</p>					
GENERAL TOLERANCES (UNLESS SPECIFIED)									
	MM	INCH							
4 PLACES	±	±							
3 PLACES	±	± 0.005							
2 PLACES	±	0.13	±	EC NO: 644856		2020/07/10			
1 PLACE	±	±		DRWN: RPRABHUM		2020/10/07			
0 PLACES	±	±		CHK'D: GGA		2020/10/07			
ANGULAR TOL		± 0.5°		APPR: GGA		2020/10/07			
DRAFT WHERE APPLICABLE MUST REMAIN WITHIN DIMENSIONS				THIRD ANGLE PROJECTION		DRAWING		SERIES	
				C-SIZE		71660		INITIAL REVISION: 2016/06/22	
MATERIAL NUMBER		CUSTOMER		SHEET NUMBER					
SEE TABLE		GENERAL MARKET		1 OF 2					



RECOMMENDED PC BOARD LAYOUT
COMPONENT SIDE Δ
FOR 40, 60, 68, 80, 100, 120 CIRCUIT SIZES

ITEM NUMBER	CKT ("N")	A	B	C	D	E
71660-7030	30	.700 (17.78)	.815 (20.70)	1.199 (30.45)	1.010 (25.65)	.110 (2.79)
71660-7040	40	.950 (24.13)	1.065 (27.05)	1.449 (36.80)	1.260 (32.00)	
71660-7068	68	1.650 (41.91)	1.765 (44.83)	2.149 (54.58)	1.960 (49.78)	
71660-7240	40	.950 (24.13)	1.065 (27.05)	1.449 (36.80)	1.260 (32.00)	.134 (3.40)

THIS DRAWING CONTAINS INFORMATION THAT IS PROPRIETARY TO MOLEX ELECTRONIC TECHNOLOGIES, LLC AND SHOULD NOT BE USED WITHOUT WRITTEN PERMISSION

DIMENSION UNITS		SCALE		CURRENT REV DESC: OBSOLETE PART NUMBERS			
IN/MM		NTS		molex EBBI 50D VERTICAL RCPT BLIND MATE CONNECTOR SALES ASSEMBLY PRODUCT CUSTOMER DRAWING			
GENERAL TOLERANCES (UNLESS SPECIFIED)							
4 PLACES	±	MM	INCH	EC NO: 644856	2020/07/10	DOCUMENT NUMBER	
3 PLACES	±	0.005		DRWN: RPRABHUM	2020/10/07	SDA-71660-7XXX	DOC TYPE
2 PLACES	±	0.13		CHK'D: GGA	2020/10/07	PSD	DOC PART
1 PLACE	±			APPR: GGA	2020/10/07	001	REVISION
0 PLACES	±			INITIAL REVISION:	2016/06/22	001	R
ANGULAR TOL ± 0.5°				DRWN: MPOFF	2016/06/22	SHEET NUMBER	
DRAFT WHERE APPLICABLE MUST REMAIN WITHIN DIMENSIONS				APPR:	THIRD ANGLE PROJECTION	DRAWING	SERIES
						C-SIZE	71660
MATERIAL NUMBER		CUSTOMER		SHEET NUMBER			
SEE TABLE		GENERAL MARKET		2 OF 2			