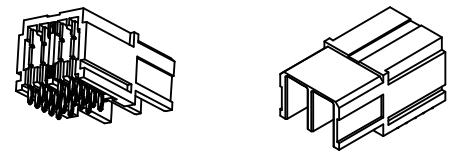
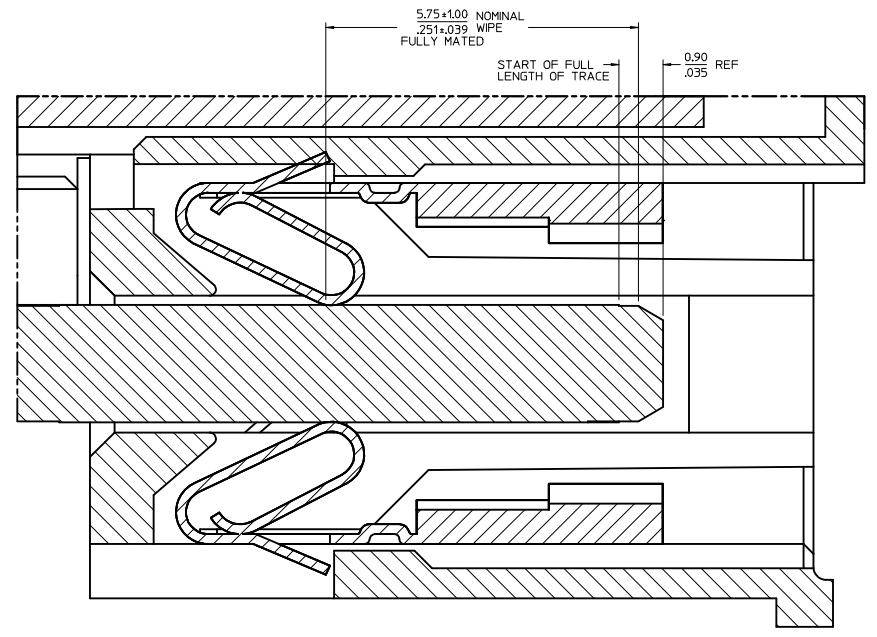
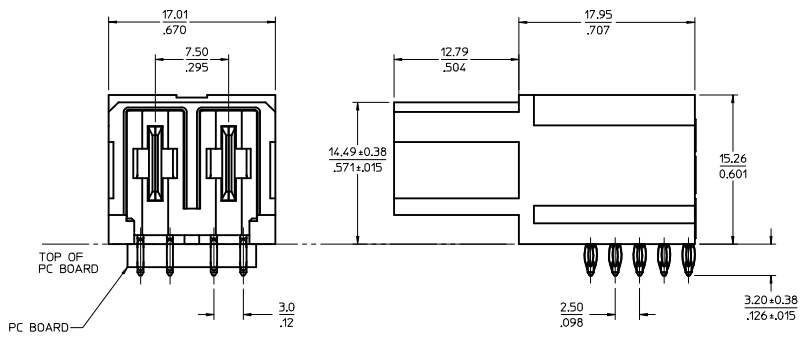


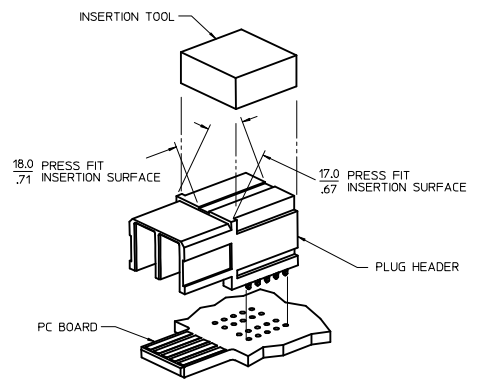
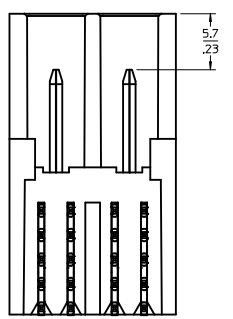
PART NUMBER	DESCRIPTION	PC TAIL PLATING
46437-1259	TIN TAILS	30μ IN GOLD IN THE CONTACT AREA 100μ IN TIN IN THE PC TAIL AREA OVER 50μ IN NICKEL OVERALL



- NOTES:
- MATERIAL: HOUSING: HIGH TEMPERATURE THERMOPLASTIC, UL94-V0, COLOR: BLACK
TERMINALS: COPPER ALLOY
 - FINISH: HOUSING: NONE
TERMINALS: SEE CHART
 - PRODUCT SPECIFICATION: PS-46735-001
 - PACKAGING SPECIFICATION: PK-46437-004
 - MATING RECEPTACLE 46735 SERIES
 - PC BOARD HOLES ARE FOR PRESS FIT TYPE TERMINALS
 - PC BOARD HOLES TO BE PLATED THRU HOLES
 - TO PRESS FIT CONNECTOR ONTO PC BOARD, USE "FLAT ROCK" METHOD OF INSERTION OVER THE PRESS FIT TAIL PORTION OF CONNECTOR AS SHOWN

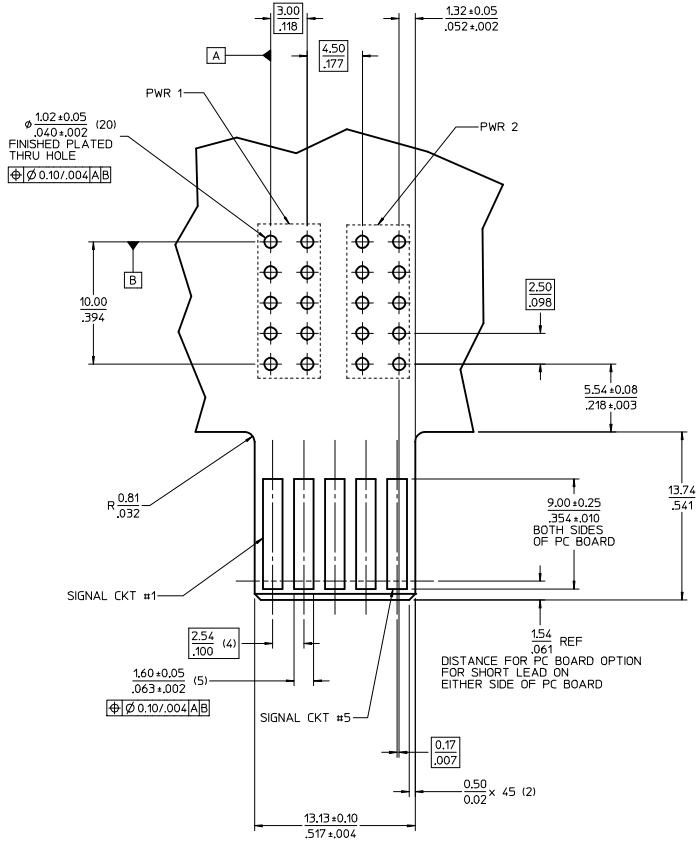


CROSS SECTION OF CONNECTOR WITH PC BOARD
SCALE 20:1

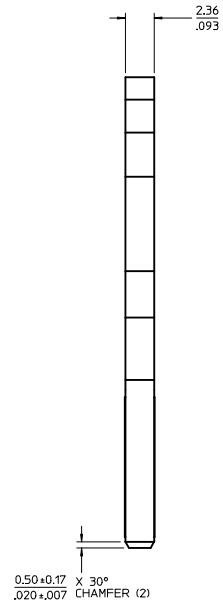


FLAT ROCK INSTALLATION
SEE NOTE 8

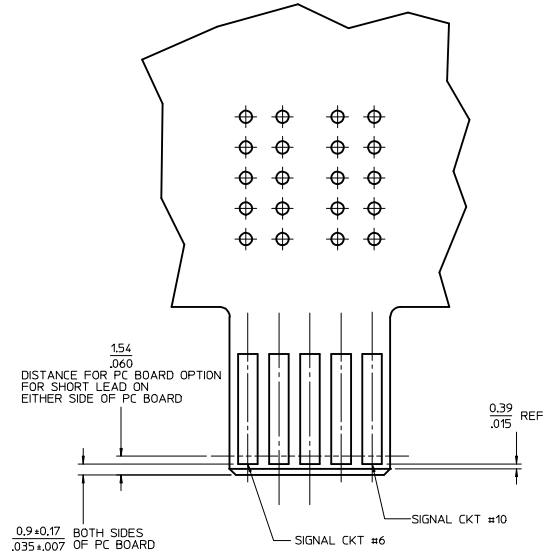
REM P/N FROM CHART EC NO. UCF2012-4269 DRAWN/REVIEWS CHYK/MONTA 2012/06/25 APPR:APATEL 2012/07/02	QUALITY SYMBOLS	GENERAL TOLERANCES (UNLESS SPECIFIED)	DIMENSION STYLE	SCALE	DESIGN UNITS	THIRD ANGLE PROJECTION	
	∇=0 ∇=0 ∇=0	mm INCH 4 PLACES ± --- ± --- 3 PLACES ± --- ± .008 2 PLACES ± 0.20 ± .012 1 PLACE ± 0.3 ± --- ANGULAR ± 1/2°	MM/IN 4:1	DRAWN BY DATE MDATA 2008/11/05 CHECKED BY DATE MDATA 2008/11/05 APPROVED BY DATE APATEL 2010/10/26	TITLE ASSEMBLY, PLUG MULTI STACK CONNECTOR PRESS FIT	MATERIAL NO. SEE CHART	DOCUMENT NO. SD-46437-159
	DRAFT WHERE APPLICABLE MUST REMAIN WITHIN DIMENSIONS		THIS DRAWING CONTAINS INFORMATION THAT IS PROPRIETARY TO MOLEX INCORPORATED AND SHOULD NOT BE USED WITHOUT WRITTEN PERMISSION		SHEET NO. 1 OF 2		
	MOLEX INCORPORATED						



COMPONENT SIDE



SIDE VIEW



SOLDER SIDE

PC BOARD LAYOUT

PC BOARD LAYOUT DEPICTS A GENERAL SPECIFICATION OF THE PC BOARD REQUIREMENTS. LAST MAKE FIRST BREAK TRACES TO BE DETERMINED BY END USER.

SEE SHT 1 IEC NO: UCF2012-4269 DRAWN: JUILLES 2012/06/25 CHECKED: MATA 2012/06/25 APPR: APATEL 2012/07/02	QUALITY SYMBOLS	GENERAL TOLERANCES (UNLESS SPECIFIED)	DIMENSION STYLE	SCALE	DESIGN UNITS	THIRD ANGLE PROJECTION
	$\nabla=0$ $\nabla=0$ $\nabla=0$	mm INCH 4 PLACES \pm --- \pm --- 3 PLACES \pm --- \pm .008 2 PLACES \pm 0.20 \pm .012 1 PLACE \pm 0.3 \pm --- ANGULAR \pm 1/2°	MM/IN	4:1	METRIC	
	DRAWN BY: MDATA CHECKED BY: MDATA APPROVED BY: APATEL DATE: 2008/11/05 DATE: 2008/11/05 DATE: 2010/10/26	MATERIAL NO. SEE CHART	TITLE ASSEMBLY, PLUG MULTI STACK CONNECTOR PRESS FIT	MOLEX INCORPORATED	SHEET NO. 2 OF 2	
	DRAFT WHERE APPLICABLE MUST REMAIN WITHIN DIMENSIONS	DOCUMENT NO. SD-46437-159	THIS DRAWING CONTAINS INFORMATION THAT IS PROPRIETARY TO MOLEX INCORPORATED AND SHOULD NOT BE USED WITHOUT WRITTEN PERMISSION			