

Sound Processor with Built-in 2-band Equalizer

BD37512FS

General Description

BD37512FS is a sound processor with built-in 2-band equalizer for car audio. The functions are 4ch stereo input selector, input-gain control, main volume and 4ch fader volume. Moreover, its "Advanced switch circuit", which is an original ROHM technology, can reduce various switching noise (ex. No-signal, low frequency like 20Hz & large signal inputs). "Advanced switch" makes control of microcomputer easier, supporting the construction of a high quality car audio system.

Features

- Reduce switching noise of mute, main volume, fader volume, bass, trebles by using advanced switch circuit
- Built-in 1 differential input selector and 3 single-ended input selectors.
- Built-in ground isolation amplifier inputs, ideal for external stereo input.
- Decrease the number of external components due to built-in 2-band equalizer filter.
- It is possible to adjust the gain of the bass and treble up to ± 20 dB with 1 dB step gain adjustment.
- Energy-saving design resulting in low current consumption, by utilizing the Bi-CMOS process. It has the advantage in quality over scaling down the power heat control of the internal regulators.
- Input terminals and output terminals are organized and separately laid out to keep the signal flow in one direction which results in simpler and smaller PCB layout.
- It is possible to control the I²C BUS by 3.3V / 5V.

Applications

It is optimal for use in car audio systems. It can also be used for audio equipment of mini Compo, micro Compo, TV, etc.

Key Specifications

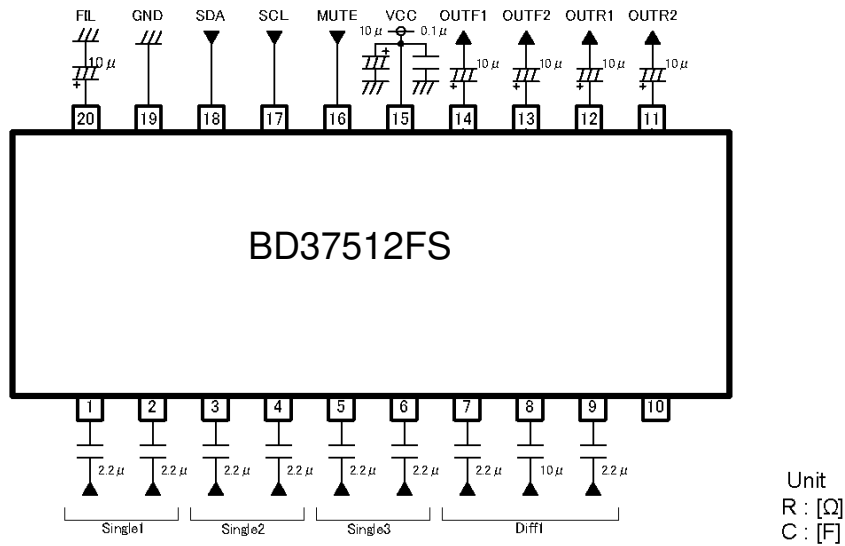
| | |
|----------------------------------|-------------------|
| ■ Power Supply Voltage Range: | 7.0V to 9.5V |
| ■ Circuit Current (No Signal): | 15mA(Typ) |
| ■ Total Harmonic Distortion: | 0.005%(Typ) |
| ■ Maximum Input Voltage: | 2.3Vrms(Typ) |
| ■ Cross-talk Between Selectors: | -100dB(Typ) |
| ■ Volume Control Range: | +0dB to -40dB |
| ■ Output Noise Voltage: | 6 μ Vrms(Typ) |
| ■ Residual Output Noise Voltage: | 2 μ Vrms(Typ) |
| ■ Operating Temperature Range: | -40°C to +85°C |

Package

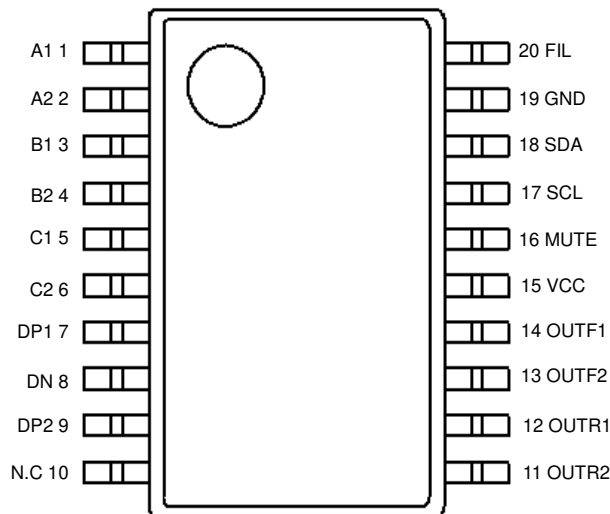
W(Typ) x D(Typ) x H(Max)



Typical Application Circuit



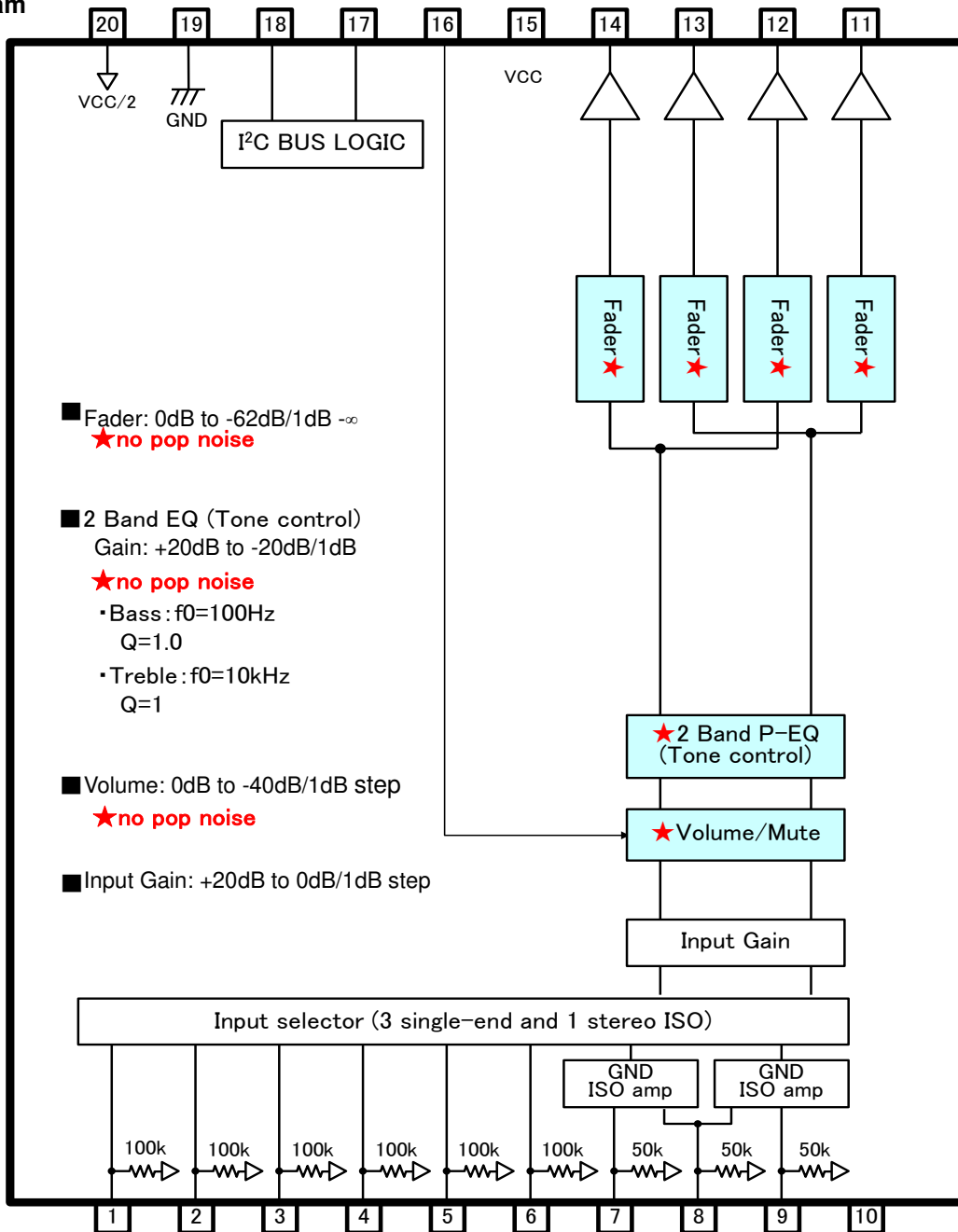
Pin Configuration



Pin Descriptions

| Pin No. | Pin Name | Description | Pin No. | Pin Name | Description |
|---------|----------|----------------------------------|---------|----------|---|
| 1 | A1 | A input terminal of 1ch | 11 | OUTR2 | Rear output terminal of 2ch |
| 2 | A2 | A input terminal of 2ch | 12 | OUTR1 | Rear output terminal of 1ch |
| 3 | B1 | B input terminal of 1ch | 13 | OUTF2 | Front output terminal of 2ch |
| 4 | B2 | B input terminal of 2ch | 14 | OUTF1 | Front output terminal of 1ch |
| 5 | C1 | C input terminal of 1ch | 15 | VCC | Power supply terminal |
| 6 | C2 | C input terminal of 2ch | 16 | MUTE | External compulsory mute terminal |
| 7 | DP1 | D positive input terminal of 1ch | 17 | SCL | I ² C Communication clock terminal |
| 8 | DN | D negative input terminal | 18 | SDA | I ² C Communication data terminal |
| 9 | DP2 | D positive input terminal of 2ch | 19 | GND | GND terminal |
| 10 | N.C. | No Connection | 20 | FIL | VCC/2 terminal |

Block Diagram



Absolute Maximum Ratings (Ta=25°C)

| Parameter | Symbol | Rating | Unit |
|----------------------|------------------|---------------------------------|------|
| Power Supply Voltage | V _{CC} | 10.0 | V |
| Input Voltage | V _{IN} | V _{CC} +0.3 to GND-0.3 | V |
| Power Dissipation | P _d | 0.94 (Note) | W |
| Storage Temperature | T _{stg} | -55 to +150 | °C |

(Note) This value derates by 7.5mW/°C for Ta=25°C or more when ROHM standard board is used.

Thermal resistance θ_{ja} = 133.3(°C/W)

ROHM Standard board

Size : 70 x 70 x 1.6(mm³)

Material : A FR4 grass epoxy board(3% or less of copper foil area)

Caution: Operating the IC over the absolute maximum ratings may damage the IC. The damage can either be a short circuit between pins or an open circuit between pins and the internal circuitry. Therefore, it is important to consider circuit protection measures, such as adding a fuse, in case the IC is operated over the absolute maximum ratings.

Recommended Operating Conditions

| Parameter | Symbol | Min | Typ | Max | Unit |
|----------------------|-----------------|-----|-----|-----|------|
| Power Supply Voltage | V _{CC} | 7.0 | - | 9.5 | V |
| Temperature | Topr | -40 | - | +85 | °C |

Electrical Characteristics

(Unless specified otherwise, Ta=25°C, V_{CC}=8.5V, f=1kHz, V_{IN} =1Vrms, R_g=600Ω, R_L=10kΩ, A input, Input gain 0dB, Mute OFF, Volume 0dB, Tone control 0dB, Loudness 0dB, Fader 0dB)

| BLOCK | Parameter | Symbol | Limit | | | Unit | Conditions |
|----------------|---------------------------------|---------------------|-------|-------|------|-------|--|
| | | | Min | Typ | Max | | |
| GENERAL | Circuit Current | I _Q | - | 15 | 30 | mA | No signal |
| | Voltage Gain | G _V | -1.5 | 0 | 1.5 | dB | G _V =20log(V _{OUT} /V _{IN}) |
| | Channel Balance | CB | -1.5 | 0 | 1.5 | dB | CB = G _{V1} -G _{V2} |
| | Total Harmonic Distortion | THD+N1 | - | 0.005 | 0.05 | % | V _{OUT} =1VRMS BW=400Hz-30KHz |
| | Output Noise Voltage * | V _{NO1} | - | 6 | 25 | μVrms | R _g = 0Ω BW = IHF-A |
| | Residual Output Noise Voltage * | V _{NOR} | - | 2 | 10 | μVrms | Fader = -∞dB R _g = 0Ω BW = IHF-A |
| | Cross-talk Between Channels * | CTC | - | -100 | -90 | dB | R _g = 0Ω CTC=20log(V _{OUT} /V _{IN}) BW = IHF-A |
| | Ripple Rejection | RR | - | -70 | -40 | dB | f=1kHz V _{RR} =100mVrms RR=20log(V _{CC} IN/V _{OUT}) |
| INPUT SELECTOR | Input Impedance(A, B, C) | R _{IN_S} | 70 | 100 | 130 | kΩ | |
| | Input Impedance (D) | R _{IN_D} | 35 | 50 | 65 | kΩ | |
| | Maximum Input Voltage | V _{IM} | 2.1 | 2.3 | - | Vrms | V _{IM} at THD+N(V _{OUT})=1% BW=400Hz-30KHz |
| | Cross-talk Between Selectors * | CTS | - | -100 | -90 | dB | R _g = 0Ω CTS=20log(V _{OUT} /V _{IN}) BW = IHF-A |
| | Common Mode Rejection Ratio * | CMRR | 50 | 65 | - | dB | DP1 and DN input DP2 and DN input CMRR=20log(V _{IN} /V _{OUT}) BW = IHF-A |
| INPUT GAIN | Minimum Input Gain | G _{IN_MIN} | -2 | 0 | +2 | dB | Input gain 0dB V _{IN} =100mVrms G _{IN} =20log(V _{OUT} /V _{IN}) |
| | Maximum Input Gain | G _{IN_MAX} | 18 | 20 | 22 | dB | Input gain 20dB V _{IN} =100mVrms G _{IN} =20log(V _{OUT} /V _{IN}) |
| | Gain Set Error | G _{IN_ERR} | -2 | 0 | +2 | dB | GAIN=+1dB to +20dB |

Electrical Characteristics - continued

| BLOCK | Parameter | Symbol | Limit | | | Unit | Conditions |
|--------|-------------------------|---------------------|-------|------|-----|------|---|
| | | | Min | Typ | Max | | |
| MUTE | Mute Attenuation * | G _{MUTE} | - | -105 | -85 | dB | Mute ON G _{MUTE} =20log(V _{OUT} /V _{IN}) BW = IHF-A |
| VOLUME | Maximum Attenuation | G _{V_MIN} | -43 | -40 | -37 | dB | Volume = -40dB G _V =20log(V _{OUT} /V _{IN}) |
| | Attenuation Set Error 1 | G _{V_ERR1} | -2 | 0 | +2 | dB | GAIN & ATT=0dB to -15dB |
| | Attenuation Set Error 2 | G _{V_ERR2} | -3 | 0 | +3 | dB | ATT=-16dB to -40dB |
| BASS | Maximum Boost Gain | G _{B_BST} | 18 | 20 | 22 | dB | Gain=+20dB f=100Hz V _{IN} =100mVrms G _B =20log (V _{OUT} /V _{IN}) |
| | Maximum Cut Gain | G _{B_CUT} | -22 | -20 | -18 | dB | Gain=-20dB f=100Hz V _{IN} =2Vrms G _B =20log (V _{OUT} /V _{IN}) |
| | Gain Set Error | G _{B_ERR} | -2 | 0 | +2 | dB | Gain=-20dB to +20dB f=100Hz |
| TREBLE | Maximum Boost Gain | G _{T_BST} | 18 | 20 | 22 | dB | Gain=+20dB f=10kHz V _{IN} =100mVrms G _T =20log (V _{OUT} /V _{IN}) |
| | Maximum Cut Gain | G _{T_CUT} | -22 | -20 | -18 | dB | Gain=-20dB f=10kHz V _{IN} =2Vrms G _T =20log (V _{OUT} /V _{IN}) |
| | Gain Set Error | G _{T_ERR} | -2 | 0 | +2 | dB | Gain=-20dB to +20dB f=10kHz |
| FADER | Maximum Attenuation * | G _{F_MIN} | - | -100 | -90 | dB | Fader = -∞dB G _F =20log(V _{OUT} /V _{IN}) BW = IHF-A |
| | Attenuation Set Error 1 | G _{F_ERR1} | -2 | 0 | +2 | dB | ATT=0dB to -15dB |
| | Attenuation Set Error 2 | G _{F_ERR2} | -3 | 0 | +3 | dB | ATT=-16dB to -47dB |
| | Attenuation Set Error 3 | G _{F_ERR3} | -4 | 0 | +4 | dB | ATT=-48dB to -62dB |
| | Output Impedance | R _{OUT} | - | - | 50 | Ω | V _{IN} =100mVrms |
| | Maximum Output Voltage | V _{OM} | 2 | 2.2 | - | Vrms | THD+N=1% BW=400Hz-30KHz |

VP-9690A(Average value detection, effective value display) filter by Matsushita Communication is used for * measurement.
Phase between input / output is same.

Typical Performance Curves

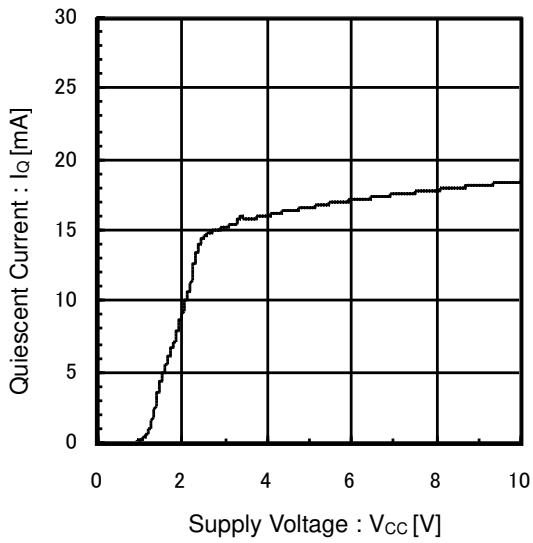


Figure 1. Quiescent Current vs Supply Voltage

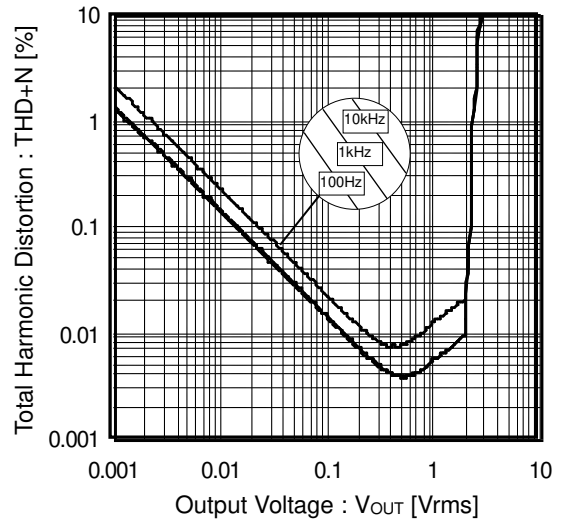


Figure 2. Total Harmonic Distortion vs Output Voltage

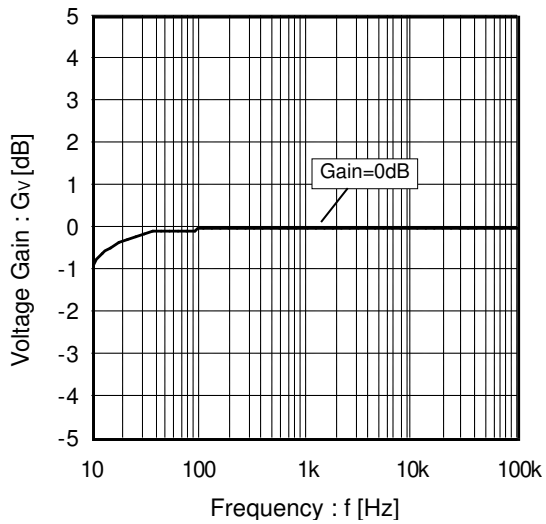


Figure 3. Voltage Gain vs Frequency

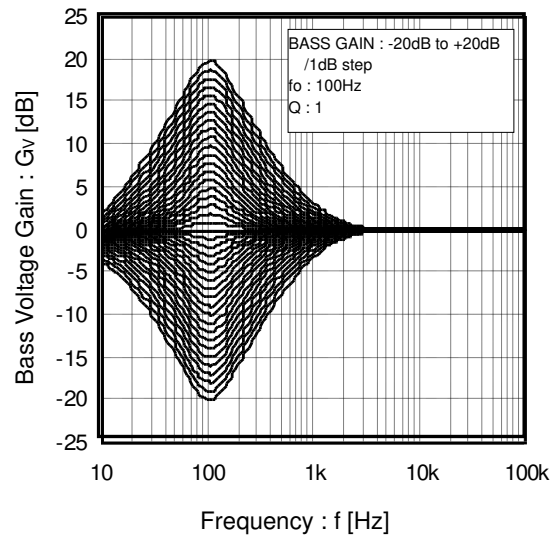


Figure 4. Bass Voltage Gain vs Frequency

Typical Performance Curves - continued

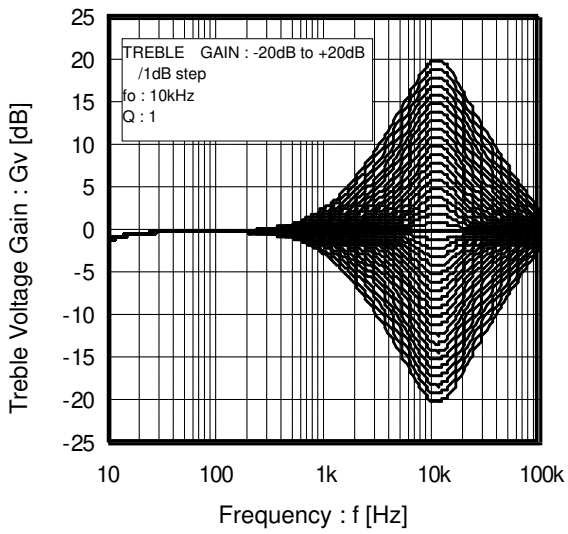


Figure 5. Treble Voltage Gain vs Frequency

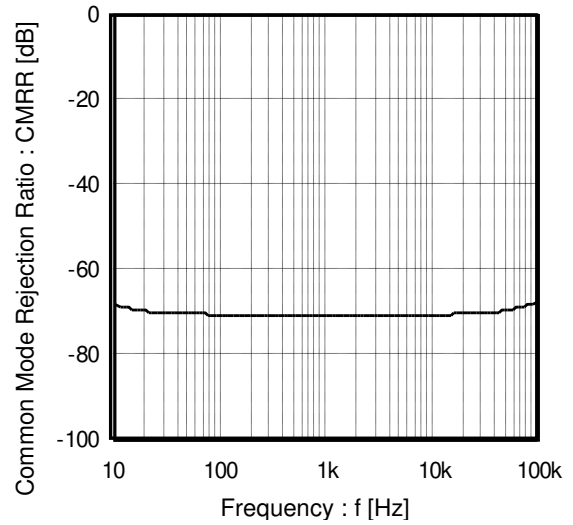


Figure 6. Common Mode Rejection Ratio vs Frequency

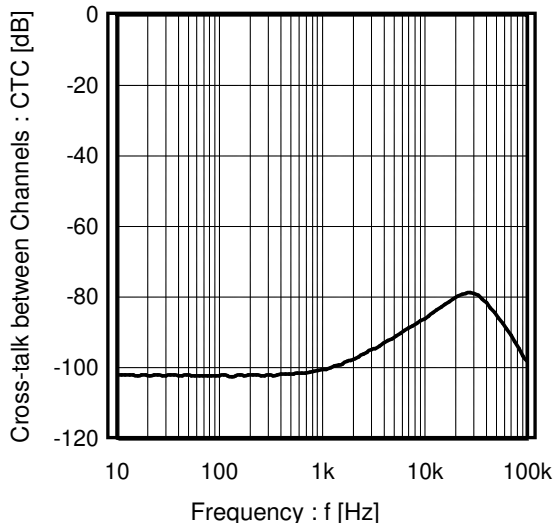


Figure 7. Cross-Talk between Channels vs Frequency

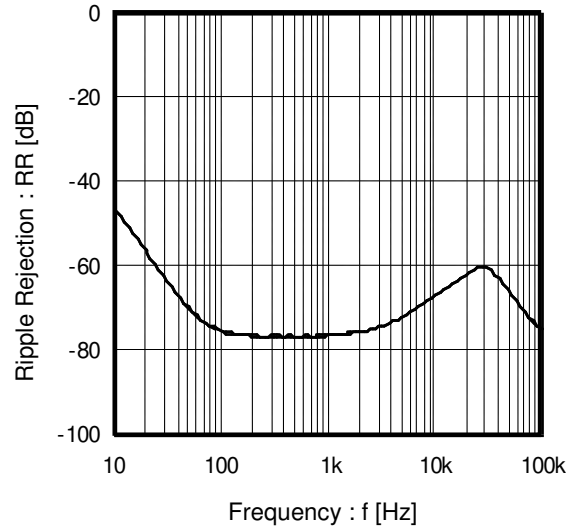


Figure 8. Ripple Rejection Ratio vs Frequency

Typical Performance Curves - continued

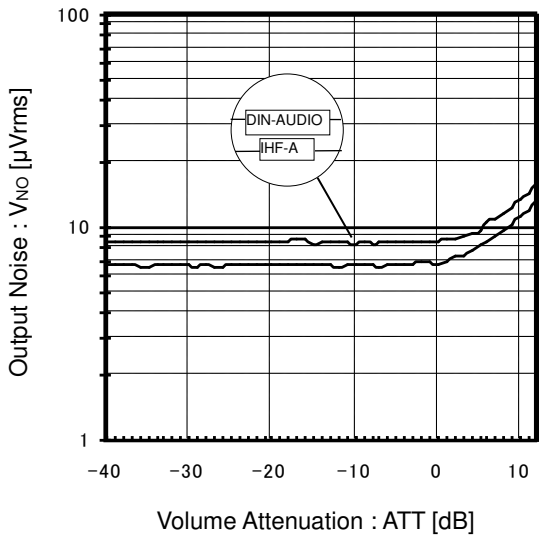


Figure 9. Output Noise vs Volume Attenuation

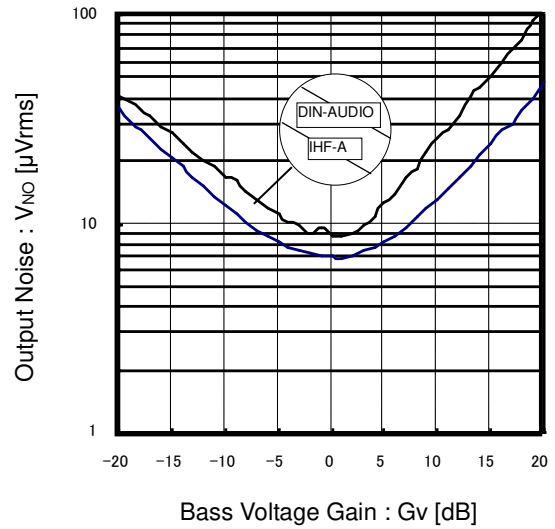


Figure 10. Output Noise vs Bass Voltage Gain

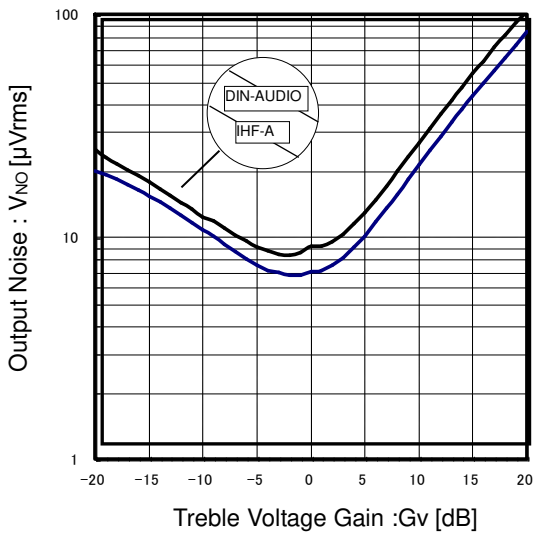


Figure 11. Output Noise vs Treble Voltage Gain

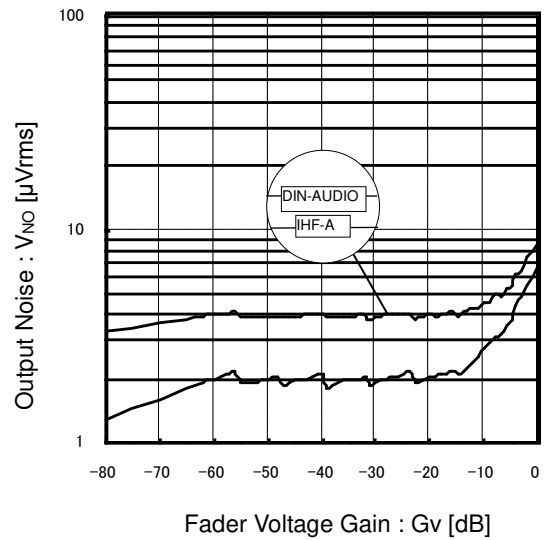


Figure 12. Output Noise vs Fader Voltage Gain

Typical Performance Curves - continued

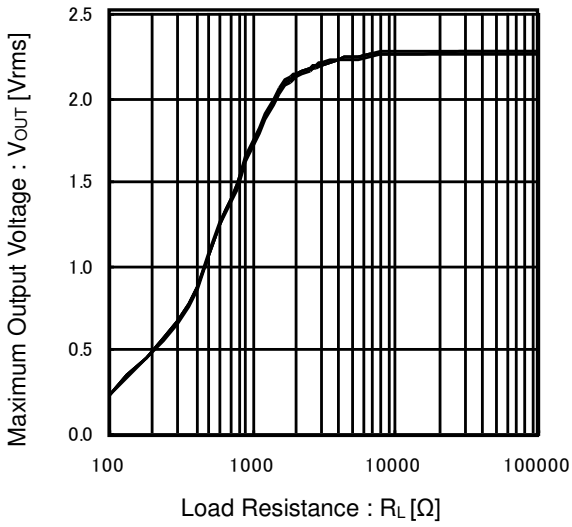


Figure 13. Maximum Output Voltage vs Load Resistance

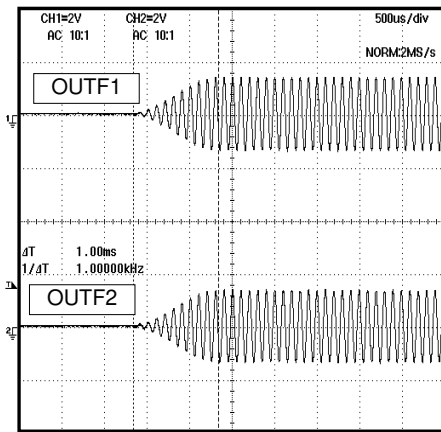


Figure 14. Advanced Switch 1

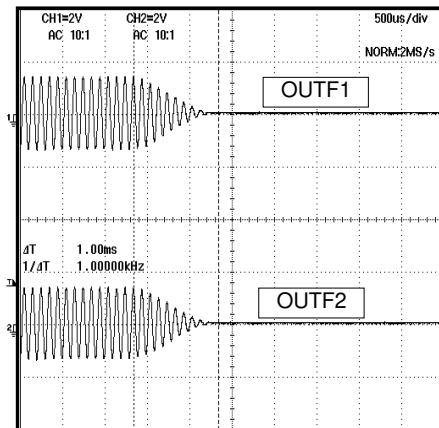


Figure 15. Advanced Switch 2

Timing Chart

Control Signal Specification

(1) Electrical Specifications and Timing for Bus Lines and I/O Stages

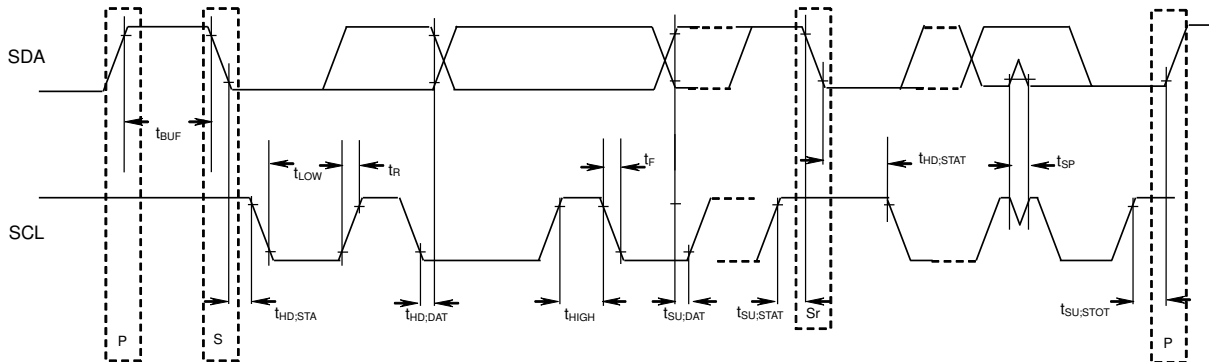


Figure 16. I²C-bus Signal Timing Diagram

Table 1 Characteristics of the SDA and SCL bus lines for I²C-bus devices

| Parameter | Symbol | Fast-mode I²C-bus | | Unit |
|---|---------------------|-------------------|-----|------|
| | | Min | Max | |
| 1 SCL clock frequency | f _{SCL} | 0 | 400 | kHz |
| 2 Bus free time between a STOP and START condition | t _{BUF} | 1.3 | - | μS |
| 3 Hold time (repeated) START condition. After this period, the first clock pulse is generated | t _{HD,STA} | 0.6 | - | μS |
| 4 LOW period of the SCL clock | t _{LOW} | 1.3 | - | μS |
| 5 HIGH period of the SCL clock | t _{HIGH} | 0.6 | - | μS |
| 6 Set-up time for a repeated START condition | t _{SU,STA} | 0.6 | - | μS |
| 7 Data hold time: | t _{HD,DAT} | 0.7 (Note) | - | μS |
| 8 Data set-up time | t _{SU,DAT} | 700 | - | ns |
| 9 Set-up time for STOP condition | t _{SU,STO} | 0.6 | - | μS |

All values referred to VIH Min and VIL Max Levels (see Table 2).

(Note) To avoid sending right after the fall-edge of SCL (VIHmin of the SCL signal), the transmitting device should set a hold time of 300ns or more for the SDA signal.
For 7(t_{HD,DAT}), 8(t_{SU,DAT}), make the setup in which the margin is fully in.

Table 2 Characteristics of the SDA and SCL I/O stages for I²C-bus devices

| Parameter | Symbol | Fast-mode devices | | Unit |
|---|------------------|-------------------|-----|------|
| | | Min | Max | |
| 10 LOW level input voltage: | V _{IL} | -0.3 | +1 | V |
| 11 HIGH level input voltage: | V _{IH} | 2.3 | 5 | V |
| 12 Pulse width of spikes which must be suppressed by the input filter. | t _{SP} | 0 | 50 | ns |
| 13 LOW level output voltage: at 3mA sink current | V _{OL1} | 0 | 0.4 | V |
| 14 Input current of each I/O pin with an input voltage between 0.4V and 4.5V. | I _I | -10 | +10 | μA |

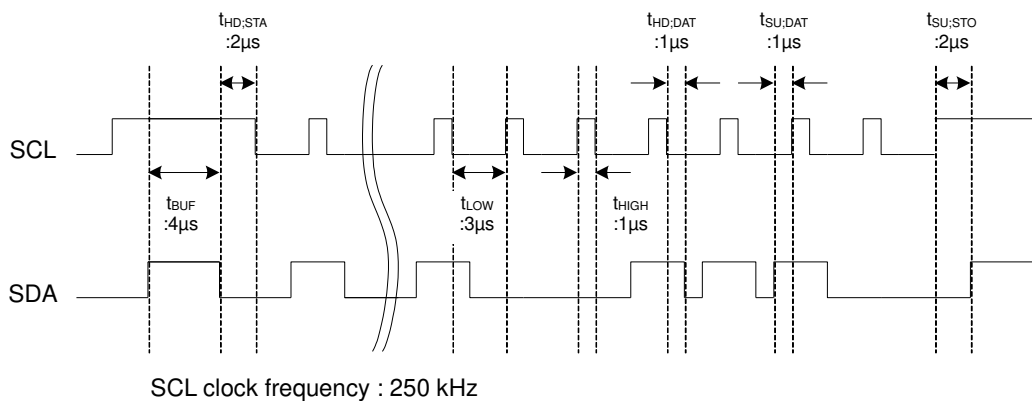


Figure 17. I²C Data Transmission Command Timing Diagram

(2) I²C BUS FORMAT

| | | | | | | | |
|------|---------------|------|----------------|------|------|------|------|
| MSB | LSB | MSB | LSB | MSB | LSB | | |
| S | Slave Address | A | Select Address | A | Data | A | P |
| 1bit | 8bit | 1bit | 8bit | 1bit | 8bit | 1bit | 1bit |

- S = Start condition (Recognition of start bit)
- Slave Address = Recognition of slave address. The first 7 bits correspond to the slave address. The least significant bit is "L" which corresponds to write mode.
- A = ACKNOWLEDGE bit (Recognition of acknowledgement)
- Select Address = Select address corresponding to volume, bass or treble.
- Data = Data on every volume and tone.
- P = Stop condition (Recognition of stop bit)

(3) I²C BUS Interface Protocol

(a) Basic Format

| | | | | | | | |
|-----|---------------|-----|----------------|-----|------|---|---|
| S | Slave Address | A | Select Address | A | Data | A | P |
| MSB | LSB | MSB | LSB | MSB | LSB | | |

(b) Automatic Increment (Select Address increases (+1) according to the number of data.)

| | | | | | | | | | | | | |
|-----|---------------|-----|----------------|-----|-------|-----|-------|-----|-------|-------|-----|---|
| S | Slave Address | A | Select Address | A | Data1 | A | Data2 | A | ····· | DataN | A | P |
| MSB | LSB | MSB | LSB | MSB | LSB | MSB | LSB | MSB | LSB | MSB | LSB | |

- (Example)
- ① Data1 shall be set as data of address specified by Select Address.
 - ② Data2 shall be set as data of address specified by Select Address + 1.
 - ③ DataN shall be set as data of address specified by Select Address + N-1.

(c) Configuration Unavailable for Transmission (In this case, only Select Address1 is set.)

| | | | | | | | | | | | |
|-----|---------------|-----|-----------------|-----|------|-----|------------------|-----|------|-----|-----|
| S | Slave Address | A | Select Address1 | A | Data | A | Select Address 2 | A | Data | A | P |
| MSB | LSB | MSB | LSB | MSB | LSB | MSB | LSB | MSB | LSB | MSB | LSB |

(Note) If any data is transmitted as Select Address 2 next to data, it is recognized as data, not as Select Address 2.

(4) Slave Address

| | | | | | | | | | | |
|-----|----|----|----|----|----|----|----|-----|-----|-----|
| MSB | A6 | A5 | A4 | A3 | A2 | A1 | A0 | R/W | LSB | |
| | 1 | 0 | 0 | 0 | 0 | 0 | 0 | 0 | | 80H |

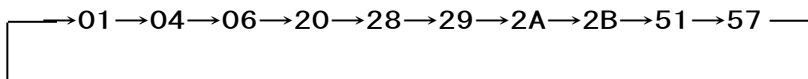
(5) Select Address & Data

| Items | Select Address (hex) | Data | | | | | | | |
|-----------------|----------------------|------------------------|------|---|-------------|----|----------------|------------------------------|-----|
| | | MSB | Data | | | | | | LSB |
| | | D7 | D6 | D5 | D4 | D3 | D2 | D1 | D0 |
| Initial setup 1 | 01 | Advanced switch ON/OFF | 0 | Advanced switch time of Volume/Tone/Fader | | 0 | 0 | Advanced switch time of Mute | |
| Input Selector | 04 | 0 | 0 | 0 | 0 | 0 | Input selector | | |
| Input gain | 06 | Mute ON/OFF | 0 | 0 | Input Gain | | | | |
| Volume gain | 20 | 1 | 0 | Volume Attenuation | | | | | |
| Fader 1ch Front | 28 | 1 | 0 | Fader Attenuation | | | | | |
| Fader 2ch Front | 29 | 1 | 0 | Fader Attenuation | | | | | |
| Fader 1ch Rear | 2A | 1 | 0 | Fader Attenuation | | | | | |
| Fader 2ch Rear | 2B | 1 | 0 | Fader Attenuation | | | | | |
| Bass gain | 51 | Bass Boost/Cut | 0 | 0 | Bass Gain | | | | |
| Treble gain | 57 | Treble Boost/Cut | 0 | 0 | Treble Gain | | | | |
| System Reset | FE | 1 | 0 | 0 | 0 | 0 | 0 | 0 | 1 |

 Advanced switch

Note

1. The Advanced Switch works in the latch part while changing from one function to another.
2. When changing a tone into the cut from the boost, or the cut and the boost, always go via the condition of the tone 0dB.
3. Upon continuous data transfer, the Select Address rolls over because of the automatic increment function, as shown below.



4. For the function of Input Selector etc, Advanced Switch is not used. Therefore, please apply mute on the set side when changing these settings.
5. When using mute function of this IC at the time of changing input selector, please switch mute ON/OFF while waiting for advanced-mute time.

Select address 01 (hex)


| Mode | Advanced switch time of Mute | | | | | | | LSB | |
|---------|------------------------------|----|---|----|----|----|----|-----|--|
| | D7 | D6 | D5 | D4 | D3 | D2 | D1 | D0 | |
| 0.6msec | Advanced Switch ON/OFF | 0 | Advanced switch time of Volume/Tone/Fader | | 0 | 0 | 0 | 0 | |
| 1.2msec | | | | | | | 0 | 1 | |
| 2.4msec | | | | | | | 1 | 0 | |
| 4.8msec | | | | | | | 1 | 1 | |

| Mode | Advanced switch time of Volume/Tone/Fader | | | | | | | LSB | |
|-----------|---|----|----|----|----|----|------------------------------|-----|--|
| | D7 | D6 | D5 | D4 | D3 | D2 | D1 | D0 | |
| 4.6 msec | Advanced Switch ON/OFF | 0 | 0 | 0 | 0 | 0 | Advanced switch Time of Mute | | |
| 9.3 msec | | | 0 | 1 | | | | | |
| 18.6 msec | | | 1 | 0 | | | | | |
| 37.2 msec | | | 1 | 1 | | | | | |

| Mode | Advanced switch ON/OFF | | | | | | | LSB | |
|------|------------------------|----|---|----|----|----|------------------------------|-----|--|
| | D7 | D6 | D5 | D4 | D3 | D2 | D1 | D0 | |
| OFF | 0 | 0 | Advanced switch time of Volume/Tone/Fader | | 0 | 0 | Advanced switch Time of Mute | | |
| ON | 1 | | | | | | | | |

Select address 04(hex)

| Mode | Input Selector | | | | | | | LSB | |
|------------|----------------|----|----|----|----|----|----|-----|--|
| | D7 | D6 | D5 | D4 | D3 | D2 | D1 | D0 | |
| A | 0 | 0 | 0 | 0 | 0 | 0 | 0 | 0 | |
| B | | | | | | 0 | 0 | 1 | |
| C | | | | | | 0 | 1 | 0 | |
| D | | | | | | 1 | 0 | 0 | |
| SHORT | | | | | | 1 | 0 | 1 | |
| INPUT MUTE | | | | | | 1 | 1 | 0 | |
| | 1 | 1 | 1 | | | | | | |

 : Initial condition

SHORT : The input impedance of each input terminal is lowered from 100kΩ(TYP) to 6 kΩ(TYP).
(For quick charge of coupling capacitor)


INPUT MUTE : Mute is done at the input signal part of Input Selector.

Select address 06 (hex)

| Gain | MSB | | | Input Gain | | | | LSB |
|-------------|----------------|----|----|------------|----|----|----|-----|
| | D7 | D6 | D5 | D4 | D3 | D2 | D1 | D0 |
| 0dB | Mute ON/OFF | 0 | 0 | 0 | 0 | 0 | 0 | 0 |
| 1dB | | | | 0 | 0 | 0 | 0 | 1 |
| 2dB | | | | 0 | 0 | 0 | 1 | 0 |
| 3dB | | | | 0 | 0 | 0 | 1 | 1 |
| 4dB | | | | 0 | 0 | 1 | 0 | 0 |
| 5dB | | | | 0 | 0 | 1 | 0 | 1 |
| 6dB | | | | 0 | 0 | 1 | 1 | 0 |
| 7dB | | | | 0 | 0 | 1 | 1 | 1 |
| 8dB | | | | 0 | 1 | 0 | 0 | 0 |
| 9dB | | | | 0 | 1 | 0 | 0 | 1 |
| 10dB | | | | 0 | 1 | 0 | 1 | 0 |
| 11dB | | | | 0 | 1 | 0 | 1 | 1 |
| 12dB | | | | 0 | 1 | 1 | 0 | 0 |
| 13dB | | | | 0 | 1 | 1 | 0 | 1 |
| 14dB | | | | 0 | 1 | 1 | 1 | 0 |
| 15dB | | | | 0 | 1 | 1 | 1 | 1 |
| 16dB | | | | 1 | 0 | 0 | 0 | 0 |
| 17dB | | | | 1 | 0 | 0 | 0 | 1 |
| 18dB | | | | 1 | 0 | 0 | 1 | 0 |
| 19dB | | | | 1 | 0 | 0 | 1 | 1 |
| 20dB | 1 | 0 | 1 | 0 | 0 | | | |
| Prohibition | | | | 1 | 1 | 0 | 1 | 1 |
| | | | | : | : | : | : | : |
| | | | | 1 | 1 | 1 | 1 | 1 |

(Note) In case sending prohibited data, 0dB is set.

| Mode | MSB | | | Mute ON/OFF | | | | LSB |
|------|-----|----|----|-------------|----|----|----|-----|
| | D7 | D6 | D5 | D4 | D3 | D2 | D1 | D0 |
| OFF | 0 | 0 | 0 | Input Gain | | | | |
| ON | 1 | | | | | | | |

 :Initial condition


Select address 20 (hex)

| Gain & ATT | MSB | | Vol Attenuation | | | | | LSB | |
|-------------|-----|----|-----------------|----|----|----|----|-----|--|
| | D7 | D6 | D5 | D4 | D3 | D2 | D1 | D0 | |
| 0dB | 1 | 0 | 0 | 0 | 0 | 0 | 0 | 0 | |
| -1dB | | | 0 | 0 | 0 | 0 | 0 | 1 | |
| -2dB | | | 0 | 0 | 0 | 0 | 1 | 0 | |
| ⋮ | | | ⋮ | ⋮ | ⋮ | ⋮ | ⋮ | ⋮ | |
| ⋮ | | | ⋮ | ⋮ | ⋮ | ⋮ | ⋮ | ⋮ | |
| -38dB | | | 1 | 0 | 0 | 1 | 1 | 0 | |
| -39dB | | | 1 | 0 | 0 | 1 | 1 | 1 | |
| -40dB | | | 1 | 0 | 1 | 0 | 0 | 0 | |
| Prohibition | | | 1 | 0 | 1 | 0 | 0 | 1 | |
| | | | ⋮ | ⋮ | ⋮ | ⋮ | ⋮ | ⋮ | |
| | 1 | 1 | 1 | 1 | 1 | 0 | | | |
| | | | 1 | 1 | 1 | 1 | 1 | | |

(Note) In case sending prohibited data, -40dB is set.

Select address 28, 29, 2A, 2B (hex)

| Gain & ATT | MSB | | Fader Attenuation | | | | | LSB | |
|------------|-----|----|-------------------|----|----|----|----|-----|--|
| | D7 | D6 | D5 | D4 | D3 | D2 | D1 | D0 | |
| 0dB | 1 | 0 | 0 | 0 | 0 | 0 | 0 | 0 | |
| -1dB | | | 0 | 0 | 0 | 0 | 0 | 1 | |
| -2dB | | | 0 | 0 | 0 | 0 | 1 | 0 | |
| ⋮ | | | ⋮ | ⋮ | ⋮ | ⋮ | ⋮ | ⋮ | |
| ⋮ | | | ⋮ | ⋮ | ⋮ | ⋮ | ⋮ | ⋮ | |
| -61dB | | | 1 | 1 | 1 | 1 | 0 | 1 | |
| -62dB | | | 1 | 1 | 1 | 1 | 1 | 0 | |
| -∞dB | | | 1 | 1 | 1 | 1 | 1 | 1 | |


 : Initial condition

Select address 51, 57 (hex)

| Gain | MSB | | | Bass/Treble Gain | | | | LSB |
|-------------|----------------------------------|----|----|------------------|----|----|----|-----|
| | D7 | D6 | D5 | D4 | D3 | D2 | D1 | D0 |
| 0dB | Bass/ Treble Boost /cut | 0 | 0 | 0 | 0 | 0 | 0 | 0 |
| 1dB | | | | 0 | 0 | 0 | 0 | 1 |
| 2dB | | | | 0 | 0 | 0 | 1 | 0 |
| 3dB | | | | 0 | 0 | 0 | 1 | 1 |
| 4dB | | | | 0 | 0 | 1 | 0 | 0 |
| 5dB | | | | 0 | 0 | 1 | 0 | 1 |
| 6dB | | | | 0 | 0 | 1 | 1 | 0 |
| 7dB | | | | 0 | 0 | 1 | 1 | 1 |
| 8dB | | | | 0 | 1 | 0 | 0 | 0 |
| 9dB | | | | 0 | 1 | 0 | 0 | 1 |
| 10dB | | | | 0 | 1 | 0 | 1 | 0 |
| 11dB | | | | 0 | 1 | 0 | 1 | 1 |
| 12dB | | | | 0 | 1 | 1 | 0 | 0 |
| 13dB | | | | 0 | 1 | 1 | 0 | 1 |
| 14dB | | | | 0 | 1 | 1 | 1 | 0 |
| 15dB | | | | 0 | 1 | 1 | 1 | 1 |
| 16dB | | | | 1 | 0 | 0 | 0 | 0 |
| 17dB | | | | 1 | 0 | 0 | 0 | 1 |
| 18dB | | | | 1 | 0 | 0 | 1 | 0 |
| 19dB | | | | 1 | 0 | 0 | 1 | 1 |
| 20dB | 1 | 0 | 1 | 0 | 0 | | | |
| Prohibition | : | : | : | : | : | | | |
| | 1 | 1 | 1 | 1 | 0 | | | |
| | 1 | 1 | 1 | 1 | 1 | | | |

(Note) In case sending prohibited data, 0dB is set.

| Mode | MSB | | | Bass/Treble Boost/Cut | | | | LSB |
|-------|-----|----|----|-----------------------|----|----|----|-----|
| | D7 | D6 | D5 | D4 | D3 | D2 | D1 | D0 |
| Boost | 0 | 0 | 0 | Bass/Treble Gain | | | | |
| Cut | 1 | | | | | | | |

 :Initial condition

(6) About Power ON Reset

Built-in IC initialization is made during power on of the supply voltage. Please send initial data to all addresses at supply voltage on. And please turn on mute at the side being set until this initial data is sent.

| Parameter | Symbol | Limit | | | Unit | Conditions |
|---------------------------------------|-------------------|-------|-----|-----|------|---|
| | | Min | Typ | Max | | |
| Rise Time of VCC | t _{RISE} | 20 | - | - | μsec | V _{CC} rise time from 0V to 3V |
| VCC Voltage of Release Power ON Reset | V _{POR} | - | 4.1 | - | V | |

(7) About External Compulsory Mute Terminal

It is possible to force mute externally by setting an input voltage to the MUTE terminal.

| Mute Voltage Condition | Mode |
|-------------------------|----------|
| GND to 1.0V | MUTE ON |
| 2.3V to V _{CC} | MUTE OFF |

Establish the voltage of MUTE in the condition to be defined.

Application Information

1. Function and Specifications

| Function | Specifications |
|----------------|--|
| Input selector | <ul style="list-style-type: none"> · Stereo 3 input · Differential 1 input |
| Input gain | <ul style="list-style-type: none"> · 0dB to 20dB |
| Mute | <ul style="list-style-type: none"> · Possible to use "Advanced switch" for prevention of switching noise. |
| Volume | <ul style="list-style-type: none"> · 0dB to -40dB (1dB step) · Possible to use "Advanced switch" for prevention of switching noise. |
| Bass | <ul style="list-style-type: none"> · -20dB to +20dB (1dB step) · Q=1 · fo=100Hz · Possible to use advanced switch at changing gain |
| Treble | <ul style="list-style-type: none"> · -20dB to +20dB (1dB step) · Q=1 · fo=10kHz · Possible to use advanced switch at changing gain |
| Fader | <ul style="list-style-type: none"> · 0dB to -62dB(1dB step), -∞dB · Possible to use "Advanced switch" for prevention of switching noise. |

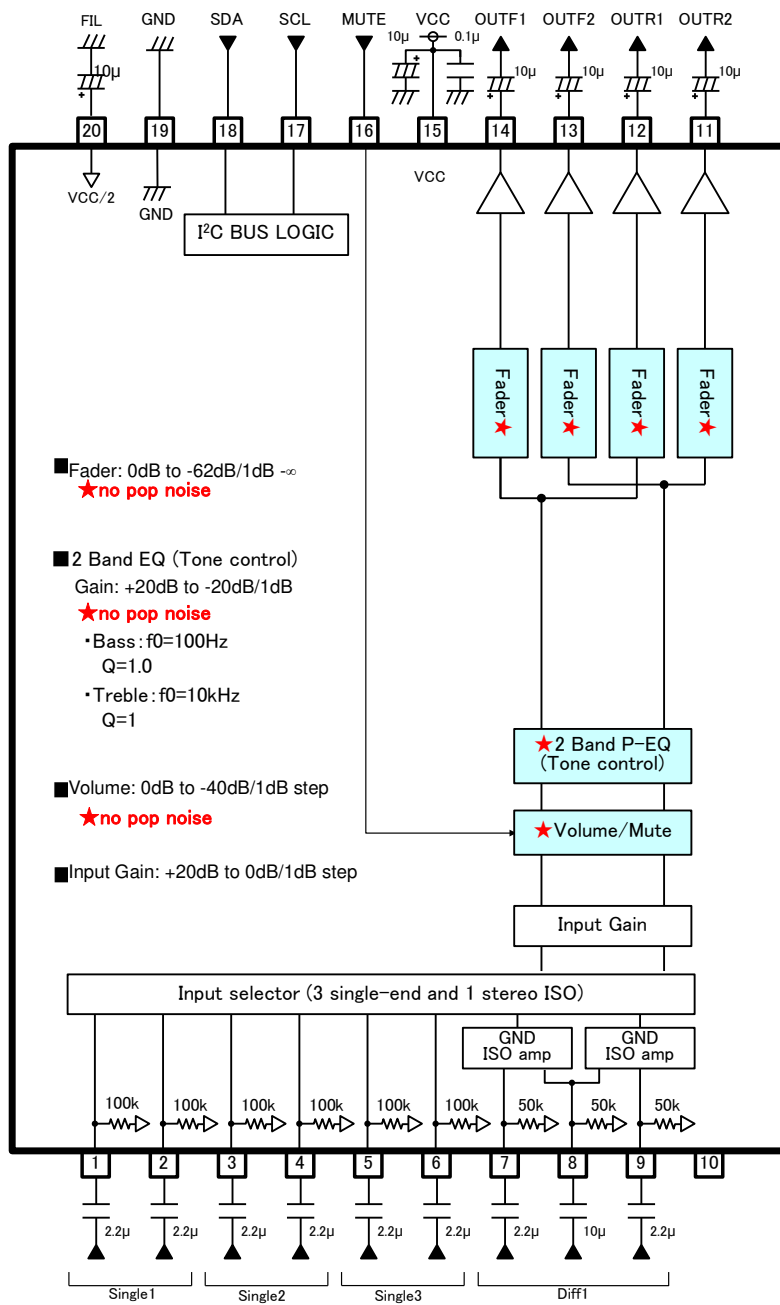
2. Volume / Fader Volume Attenuation Data

| (dB) | D7 | D6 | D5 | D4 | D3 | D2 | D1 | D0 | (dB) | D7 | D6 | D5 | D4 | D3 | D2 | D1 | D0 |
|------|----|----|----|----|----|----|----|----|------|----|----|----|----|----|----|----|----|
| 0 | | | 0 | 0 | 0 | 0 | 0 | 0 | -32 | | | 1 | 0 | 0 | 0 | 0 | 0 |
| -1 | | | 0 | 0 | 0 | 0 | 0 | 1 | -33 | | | 1 | 0 | 0 | 0 | 0 | 1 |
| -2 | | | 0 | 0 | 0 | 0 | 1 | 0 | -34 | | | 1 | 0 | 0 | 0 | 1 | 0 |
| -3 | | | 0 | 0 | 0 | 0 | 1 | 1 | -35 | | | 1 | 0 | 0 | 0 | 1 | 1 |
| -4 | | | 0 | 0 | 0 | 1 | 0 | 0 | -36 | | | 1 | 0 | 0 | 1 | 0 | 0 |
| -5 | | | 0 | 0 | 0 | 1 | 0 | 1 | -37 | | | 1 | 0 | 0 | 1 | 0 | 1 |
| -6 | | | 0 | 0 | 0 | 1 | 1 | 0 | -38 | | | 1 | 0 | 0 | 1 | 1 | 0 |
| -7 | | | 0 | 0 | 0 | 1 | 1 | 1 | -39 | | | 1 | 0 | 0 | 1 | 1 | 1 |
| -8 | | | 0 | 0 | 1 | 0 | 0 | 0 | -40 | | | 1 | 0 | 1 | 0 | 0 | 0 |
| -9 | | | 0 | 0 | 1 | 0 | 0 | 1 | -41 | | | 1 | 0 | 1 | 0 | 0 | 1 |
| -10 | | | 0 | 0 | 1 | 0 | 1 | 0 | -42 | | | 1 | 0 | 1 | 0 | 1 | 0 |
| -11 | | | 0 | 0 | 1 | 0 | 1 | 1 | -43 | | | 1 | 0 | 1 | 0 | 1 | 1 |
| -12 | | | 0 | 0 | 1 | 1 | 0 | 0 | -44 | | | 1 | 0 | 1 | 1 | 0 | 0 |
| -13 | | | 0 | 0 | 1 | 1 | 0 | 1 | -45 | | | 1 | 0 | 1 | 1 | 0 | 1 |
| -14 | | | 0 | 0 | 1 | 1 | 1 | 0 | -46 | | | 1 | 0 | 1 | 1 | 1 | 0 |
| -15 | 1 | 0 | 0 | 0 | 1 | 1 | 1 | 1 | -47 | 1 | 0 | 1 | 0 | 1 | 1 | 1 | 1 |
| -16 | | | 0 | 1 | 0 | 0 | 0 | 0 | -48 | | | 1 | 1 | 0 | 0 | 0 | 0 |
| -17 | | | 0 | 1 | 0 | 0 | 0 | 1 | -49 | | | 1 | 1 | 0 | 0 | 0 | 1 |
| -18 | | | 0 | 1 | 0 | 0 | 1 | 0 | -50 | | | 1 | 1 | 0 | 0 | 1 | 0 |
| -19 | | | 0 | 1 | 0 | 0 | 1 | 1 | -51 | | | 1 | 1 | 0 | 0 | 1 | 1 |
| -20 | | | 0 | 1 | 0 | 1 | 0 | 0 | -52 | | | 1 | 1 | 0 | 1 | 0 | 0 |
| -21 | | | 0 | 1 | 0 | 1 | 0 | 1 | -53 | | | 1 | 1 | 0 | 1 | 0 | 1 |
| -22 | | | 0 | 1 | 0 | 1 | 1 | 0 | -54 | | | 1 | 1 | 0 | 1 | 1 | 0 |
| -23 | | | 0 | 1 | 0 | 1 | 1 | 1 | -55 | | | 1 | 1 | 0 | 1 | 1 | 1 |
| -24 | | | 0 | 1 | 1 | 0 | 0 | 0 | -56 | | | 1 | 1 | 1 | 0 | 0 | 0 |
| -25 | | | 0 | 1 | 1 | 0 | 0 | 1 | -57 | | | 1 | 1 | 1 | 0 | 0 | 1 |
| -26 | | | 0 | 1 | 1 | 0 | 1 | 0 | -58 | | | 1 | 1 | 1 | 0 | 1 | 0 |
| -27 | | | 0 | 1 | 1 | 0 | 1 | 1 | -59 | | | 1 | 1 | 1 | 0 | 1 | 1 |
| -28 | | | 0 | 1 | 1 | 1 | 0 | 0 | -60 | | | 1 | 1 | 1 | 1 | 0 | 0 |
| -29 | | | 0 | 1 | 1 | 1 | 0 | 1 | -61 | | | 1 | 1 | 1 | 1 | 0 | 1 |
| -30 | | | 0 | 1 | 1 | 1 | 1 | 0 | -62 | | | 1 | 1 | 1 | 1 | 1 | 0 |
| -31 | | | 0 | 1 | 1 | 1 | 1 | 1 | -∞ | | | 1 | 1 | 1 | 1 | 1 | 1 |

For Volume attenuation, only 0dB to -40dB are available.

 : Initial condition

3. Application Circuit



Notes on Wiring

- ① Please connect the decoupling capacitor of the power supply in the shortest possible distance to GND.
- ② GND lines shall be one-point connected.
- ③ Wiring pattern of Digital should be away from that of Analog unit and cross-talk should not be acceptable.
- ④ SCL and SDA lines of I²C BUS should not be parallel if possible.
The lines should be shielded, if they are adjacent to each other.
- ⑤ Analog input lines should not be parallel if possible. The lines should be shielded, if they are adjacent to each other.

Power Dissipation

About the thermal design of the IC

Characteristics of an IC have a great deal to do with the temperature at which it is used, and exceeding absolute maximum ratings may degrade and destroy the device. Careful consideration must be given to the heat of the IC from the two standpoints of immediate damage and long-term reliability of operation.

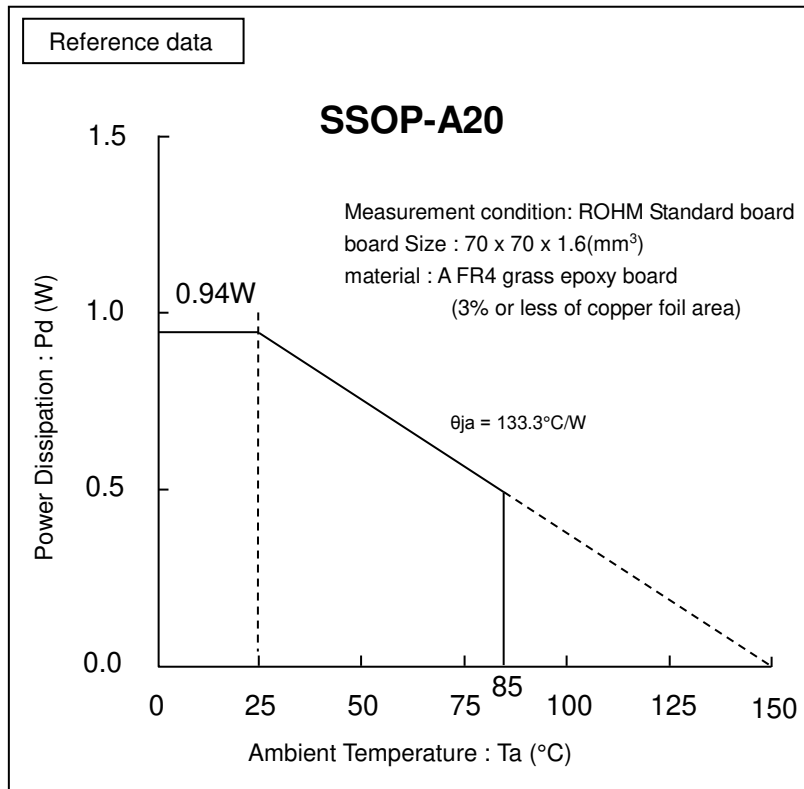


Figure 18. Temperature Derating Curve

(Note) Values are actual measurements and are not guaranteed.

Power dissipation values vary according to the board on which the IC is mounted.

I/O Equivalent Circuits

| Terminal No. | Terminal Name | Terminal Voltage | Equivalent Circuit | Terminal Description |
|----------------------------|----------------------------------|------------------|--------------------|---|
| 1 2 3 4 5 6 | A1 A2 B1 B2 C1 C2 | 4.25 | | A terminal for signal input. The input impedance is 100kΩ(typ). |
| 7 9 | DP1 DP1 | 4.25 | | A terminal for positive input of ground isolation amplifier. The input impedance is 50kΩ(typ). |
| 8 | DN | 4.25 | | A terminal for negative input of ground isolation amplifier. The input impedance is 12.5kΩ(typ). |
| 16 | MUTE | - | | A terminal for external compulsory mute. If terminal voltage is High level, the mute is off. And if the terminal voltage is Low level, the mute is on. |
| 11 12 13 14 | OUTR2 OUTR1 OUTF2 OUTF1 | 4.25 | | A terminal for fader and Subwoofer output. |

Values in the pin explanation and input/output equivalent circuit are reference values only and are not guaranteed.

I/O Equivalence Circuits - continued

| Terminal No. | Terminal Name | Terminal Voltage | Equivalent Circuit | Terminal Description |
|--------------|---------------|------------------|--------------------|---|
| 15 | VCC | 8.5 | | Power supply terminal. |
| 17 | SCL | - | | A terminal for clock input of I ² C BUS communication. |
| 18 | SDA | - | | A terminal for data input of I ² C BUS communication. |
| 19 | GND | 0 | | Ground terminal. |
| 20 | FIL | 4.25 | | Voltage for reference bias of analog signal system. The simple precharge circuit and simple discharge circuit for an external capacitor are built in. |

Values in the pin explanation and input/output equivalent circuit are reference values only and are not guaranteed.

Operational Notes

1. Reverse Connection of Power Supply

Connecting the power supply in reverse polarity can damage the IC. Take precautions against reverse polarity when connecting the power supply, such as mounting an external diode between the power supply and the IC's power supply pins.

2. Power Supply Lines

Design the PCB layout pattern to provide low impedance supply lines. Separate the ground and supply lines of the digital and analog blocks to prevent noise in the ground and supply lines of the digital block from affecting the analog block. Furthermore, connect a capacitor to ground at all power supply pins. Consider the effect of temperature and aging on the capacitance value when using electrolytic capacitors.

3. Ground Voltage

Ensure that no pins are at a voltage below that of the ground pin at any time, even during transient condition.

4. Ground Wiring Pattern

When using both small-signal and large-current ground traces, the two ground traces should be routed separately but connected to a single ground at the reference point of the application board to avoid fluctuations in the small-signal ground caused by large currents. Also ensure that the ground traces of external components do not cause variations on the ground voltage. The ground lines must be as short and thick as possible to reduce line impedance.

5. Thermal Consideration

Should by any chance the power dissipation rating be exceeded the rise in temperature of the chip may result in deterioration of the properties of the chip. In case of exceeding this absolute maximum rating, increase the board size and copper area to prevent exceeding the Pd rating.

6. Recommended Operating Conditions

These conditions represent a range within which the expected characteristics of the IC can be approximately obtained. The electrical characteristics are guaranteed under the conditions of each parameter.

7. Inrush Current

When power is first supplied to the IC, it is possible that the internal logic may be unstable and inrush current may flow instantaneously due to the internal powering sequence and delays, especially if the IC has more than one power supply. Therefore, give special consideration to power coupling capacitance, power wiring, width of ground wiring, and routing of connections.

8. Operation Under Strong Electromagnetic Field

Operating the IC in the presence of a strong electromagnetic field may cause the IC to malfunction.

9. Testing on Application Boards

When testing the IC on an application board, connecting a capacitor directly to a low-impedance output pin may subject the IC to stress. Always discharge capacitors completely after each process or step. The IC's power supply should always be turned off completely before connecting or removing it from the test setup during the inspection process. To prevent damage from static discharge, ground the IC during assembly and use similar precautions during transport and storage.

10. Inter-pin Short and Mounting Errors

Ensure that the direction and position are correct when mounting the IC on the PCB. Incorrect mounting may result in damaging the IC. Avoid nearby pins being shorted to each other especially to ground, power supply and output pin. Inter-pin shorts could be due to many reasons such as metal particles, water droplets (in very humid environment) and unintentional solder bridge deposited in between pins during assembly to name a few.

11. Unused Input Pins

Input pins of an IC are often connected to the gate of a MOS transistor. The gate has extremely high impedance and extremely low capacitance. If left unconnected, the electric field from the outside can easily charge it. The small charge acquired in this way is enough to produce a significant effect on the conduction through the transistor and cause unexpected operation of the IC. So unless otherwise specified, unused input pins should be connected to the power supply or ground line.

Operational Notes – continued

12. Regarding the Input Pin of the IC

This monolithic IC contains P+ isolation and P substrate layers between adjacent elements in order to keep them isolated. P-N junctions are formed at the intersection of the P layers with the N layers of other elements, creating a parasitic diode or transistor. For example (refer to figure below):

When GND > Pin A and GND > Pin B, the P-N junction operates as a parasitic diode.
 When GND > Pin B, the P-N junction operates as a parasitic transistor.

Parasitic diodes inevitably occur in the structure of the IC. The operation of parasitic diodes can result in mutual interference among circuits, operational faults, or physical damage. Therefore, conditions that cause these diodes to operate, such as applying a voltage lower than the GND voltage to an input pin (and thus to the P substrate) should be avoided.

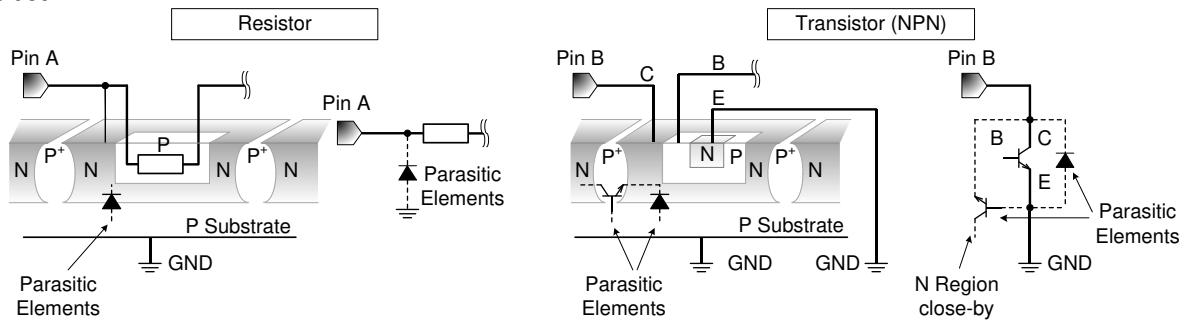
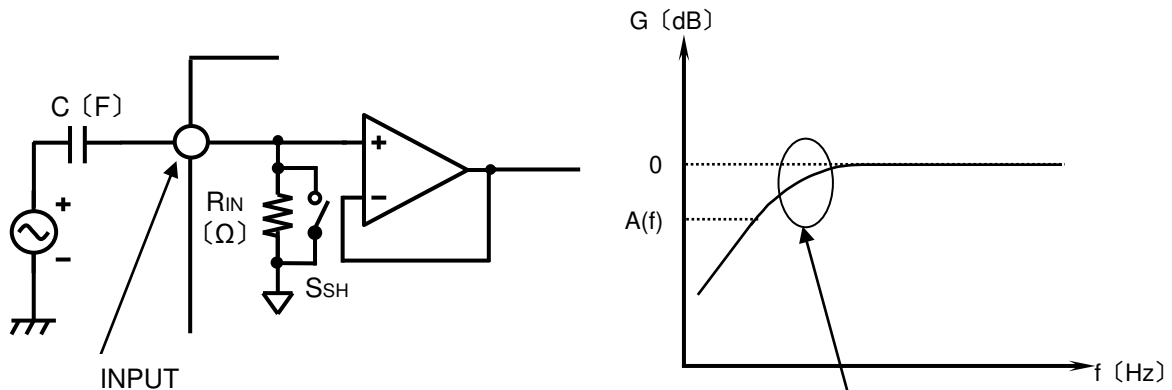


Figure 19. Example of monolithic IC structure

13. About a Signal Input Part

(a) About Input Coupling Capacitor Constant Value

In the input signal terminal, please decide the constant value of the input coupling capacitor C(F) that would be sufficient to form an RC characterized HPF with input impedance R_{IN}(Ω) inside the IC.



$$A(f) = \frac{1}{\sqrt{1 + (2\pi fCR_{IN})^2}}$$

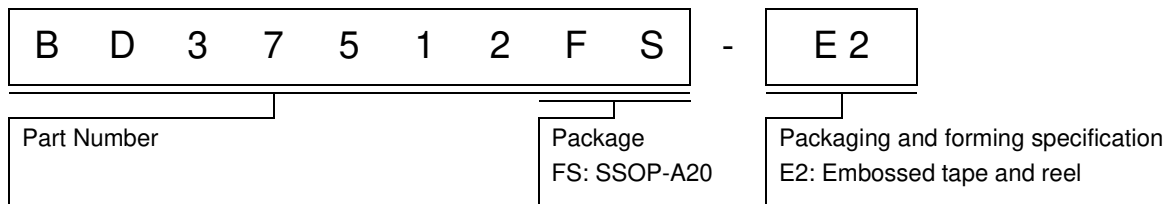
(b) About the Input Selector SHORT

SHORT mode is the command which makes switch S_{SH} =ON of input selector part so that the input impedance R_{IN} of all terminals becomes small. Switch S_{SH} is OFF when SHORT command is not selected. The constant time brought about by the small resistance inside and the capacitor outside the LSI becomes small when this command is used. The charge time of the capacitor becomes short. Since SHORT mode turns ON the switch of S_{SH} and makes it low impedance, please use it at no signal condition.

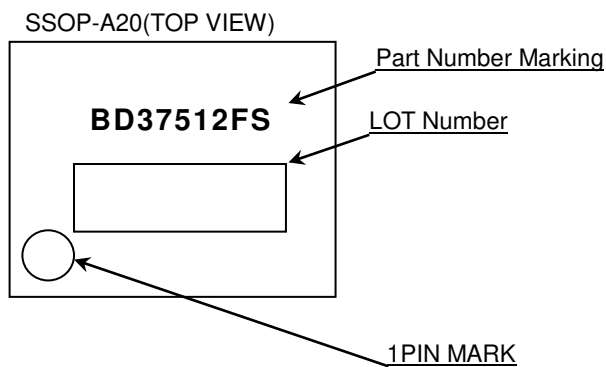
14. About Mute Terminal(Pin 16) when power supply is OFF

There should be no applied voltage across the Mute terminal (Pin 16) when power-supply is OFF. A resistor (about 2.2kΩ) should be connected in series to Mute terminal in case a voltage is supplied to Mute terminal. (Please refer Application Circuit Diagram.)

Ordering Information

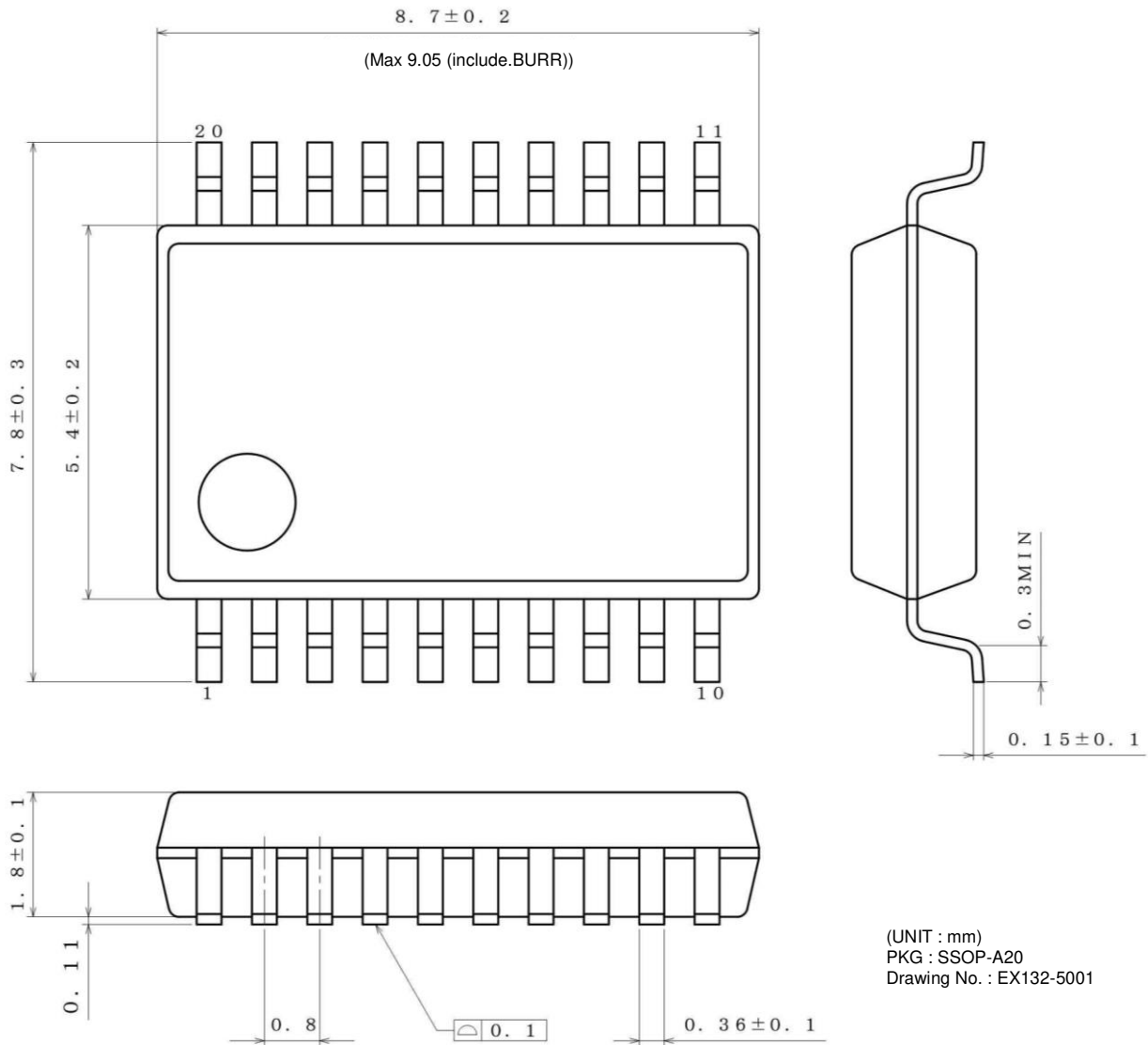


Marking Diagram



Physical Dimension, Tape and Reel Information

| | |
|--------------|----------|
| Package Name | SSOP-A20 |
|--------------|----------|



(UNIT : mm)
 PKG : SSOP-A20
 Drawing No. : EX132-5001

<Tape and Reel information>

| | |
|-------------------|---|
| Tape | Embossed carrier tape |
| Quantity | 2000pcs |
| Direction of feed | E2 (The direction is the 1pin of product is at the upper left when you hold reel on the left hand and you pull out the tape on the right hand) |

1pin
 *Order quantity needs to be multiple of the minimum quantity.

Revision History

| Date | Revision | Changes |
|-------------|----------|-------------|
| 16.Dec.2015 | 001 | New Release |

Notice

Precaution on using ROHM Products

- Our Products are designed and manufactured for application in ordinary electronic equipments (such as AV equipment, OA equipment, telecommunication equipment, home electronic appliances, amusement equipment, etc.). If you intend to use our Products in devices requiring extremely high reliability (such as medical equipment ^(Note 1), transport equipment, traffic equipment, aircraft/spacecraft, nuclear power controllers, fuel controllers, car equipment including car accessories, safety devices, etc.) and whose malfunction or failure may cause loss of human life, bodily injury or serious damage to property ("Specific Applications"), please consult with the ROHM sales representative in advance. Unless otherwise agreed in writing by ROHM in advance, ROHM shall not be in any way responsible or liable for any damages, expenses or losses incurred by you or third parties arising from the use of any ROHM's Products for Specific Applications.

(Note1) Medical Equipment Classification of the Specific Applications

| JAPAN | USA | EU | CHINA |
|-----------|-----------|------------|-----------|
| CLASS III | CLASS III | CLASS II b | CLASS III |
| CLASS IV | | CLASS III | |

- ROHM designs and manufactures its Products subject to strict quality control system. However, semiconductor products can fail or malfunction at a certain rate. Please be sure to implement, at your own responsibilities, adequate safety measures including but not limited to fail-safe design against the physical injury, damage to any property, which a failure or malfunction of our Products may cause. The following are examples of safety measures:
 - Installation of protection circuits or other protective devices to improve system safety
 - Installation of redundant circuits to reduce the impact of single or multiple circuit failure
- Our Products are designed and manufactured for use under standard conditions and not under any special or extraordinary environments or conditions, as exemplified below. Accordingly, ROHM shall not be in any way responsible or liable for any damages, expenses or losses arising from the use of any ROHM's Products under any special or extraordinary environments or conditions. If you intend to use our Products under any special or extraordinary environments or conditions (as exemplified below), your independent verification and confirmation of product performance, reliability, etc. prior to use, must be necessary:
 - Use of our Products in any types of liquid, including water, oils, chemicals, and organic solvents
 - Use of our Products outdoors or in places where the Products are exposed to direct sunlight or dust
 - Use of our Products in places where the Products are exposed to sea wind or corrosive gases, including Cl₂, H₂S, NH₃, SO₂, and NO₂
 - Use of our Products in places where the Products are exposed to static electricity or electromagnetic waves
 - Use of our Products in proximity to heat-producing components, plastic cords, or other flammable items
 - Sealing or coating our Products with resin or other coating materials
 - Use of our Products without cleaning residue of flux (even if you use no-clean type fluxes, cleaning residue of flux is recommended); or Washing our Products by using water or water-soluble cleaning agents for cleaning residue after soldering
 - Use of the Products in places subject to dew condensation
- The Products are not subject to radiation-proof design.
- Please verify and confirm characteristics of the final or mounted products in using the Products.
- In particular, if a transient load (a large amount of load applied in a short period of time, such as pulse. is applied, confirmation of performance characteristics after on-board mounting is strongly recommended. Avoid applying power exceeding normal rated power; exceeding the power rating under steady-state loading condition may negatively affect product performance and reliability.
- De-rate Power Dissipation depending on ambient temperature. When used in sealed area, confirm that it is the use in the range that does not exceed the maximum junction temperature.
- Confirm that operation temperature is within the specified range described in the product specification.
- ROHM shall not be in any way responsible or liable for failure induced under deviant condition from what is defined in this document.

Precaution for Mounting / Circuit board design

- When a highly active halogenous (chlorine, bromine, etc.) flux is used, the residue of flux may negatively affect product performance and reliability.
- In principle, the reflow soldering method must be used on a surface-mount products, the flow soldering method must be used on a through hole mount products. If the flow soldering method is preferred on a surface-mount products, please consult with the ROHM representative in advance.

For details, please refer to ROHM Mounting specification

Precautions Regarding Application Examples and External Circuits

1. If change is made to the constant of an external circuit, please allow a sufficient margin considering variations of the characteristics of the Products and external components, including transient characteristics, as well as static characteristics.
2. You agree that application notes, reference designs, and associated data and information contained in this document are presented only as guidance for Products use. Therefore, in case you use such information, you are solely responsible for it and you must exercise your own independent verification and judgment in the use of such information contained in this document. ROHM shall not be in any way responsible or liable for any damages, expenses or losses incurred by you or third parties arising from the use of such information.

Precaution for Electrostatic

This Product is electrostatic sensitive product, which may be damaged due to electrostatic discharge. Please take proper caution in your manufacturing process and storage so that voltage exceeding the Products maximum rating will not be applied to Products. Please take special care under dry condition (e.g. Grounding of human body / equipment / solder iron, isolation from charged objects, setting of Ionizer, friction prevention and temperature / humidity control).

Precaution for Storage / Transportation

1. Product performance and soldered connections may deteriorate if the Products are stored in the places where:
 - [a] the Products are exposed to sea winds or corrosive gases, including Cl₂, H₂S, NH₃, SO₂, and NO₂
 - [b] the temperature or humidity exceeds those recommended by ROHM
 - [c] the Products are exposed to direct sunshine or condensation
 - [d] the Products are exposed to high Electrostatic
2. Even under ROHM recommended storage condition, solderability of products out of recommended storage time period may be degraded. It is strongly recommended to confirm solderability before using Products of which storage time is exceeding the recommended storage time period.
3. Store / transport cartons in the correct direction, which is indicated on a carton with a symbol. Otherwise bent leads may occur due to excessive stress applied when dropping of a carton.
4. Use Products within the specified time after opening a humidity barrier bag. Baking is required before using Products of which storage time is exceeding the recommended storage time period.

Precaution for Product Label

QR code printed on ROHM Products label is for ROHM's internal use only.

Precaution for Disposition

When disposing Products please dispose them properly using an authorized industry waste company.

Precaution for Foreign Exchange and Foreign Trade act

Since concerned goods might be fallen under listed items of export control prescribed by Foreign exchange and Foreign trade act, please consult with ROHM in case of export.

Precaution Regarding Intellectual Property Rights

1. All information and data including but not limited to application example contained in this document is for reference only. ROHM does not warrant that foregoing information or data will not infringe any intellectual property rights or any other rights of any third party regarding such information or data.
2. ROHM shall not have any obligations where the claims, actions or demands arising from the combination of the Products with other articles such as components, circuits, systems or external equipment (including software).
3. No license, expressly or implied, is granted hereby under any intellectual property rights or other rights of ROHM or any third parties with respect to the Products or the information contained in this document. Provided, however, that ROHM will not assert its intellectual property rights or other rights against you or your customers to the extent necessary to manufacture or sell products containing the Products, subject to the terms and conditions herein.

Other Precaution

1. This document may not be reprinted or reproduced, in whole or in part, without prior written consent of ROHM.
2. The Products may not be disassembled, converted, modified, reproduced or otherwise changed without prior written consent of ROHM.
3. In no event shall you use in any way whatsoever the Products and the related technical information contained in the Products or this document for any military purposes, including but not limited to, the development of mass-destruction weapons.
4. The proper names of companies or products described in this document are trademarks or registered trademarks of ROHM, its affiliated companies or third parties.

General Precaution

1. Before you use our Products, you are requested to carefully read this document and fully understand its contents. ROHM shall not be in any way responsible or liable for failure, malfunction or accident arising from the use of any ROHM's Products against warning, caution or note contained in this document.
2. All information contained in this document is current as of the issuing date and subject to change without any prior notice. Before purchasing or using ROHM's Products, please confirm the latest information with a ROHM sales representative.
3. The information contained in this document is provided on an "as is" basis and ROHM does not warrant that all information contained in this document is accurate and/or error-free. ROHM shall not be in any way responsible or liable for any damages, expenses or losses incurred by you or third parties resulting from inaccuracy or errors of or concerning such information.