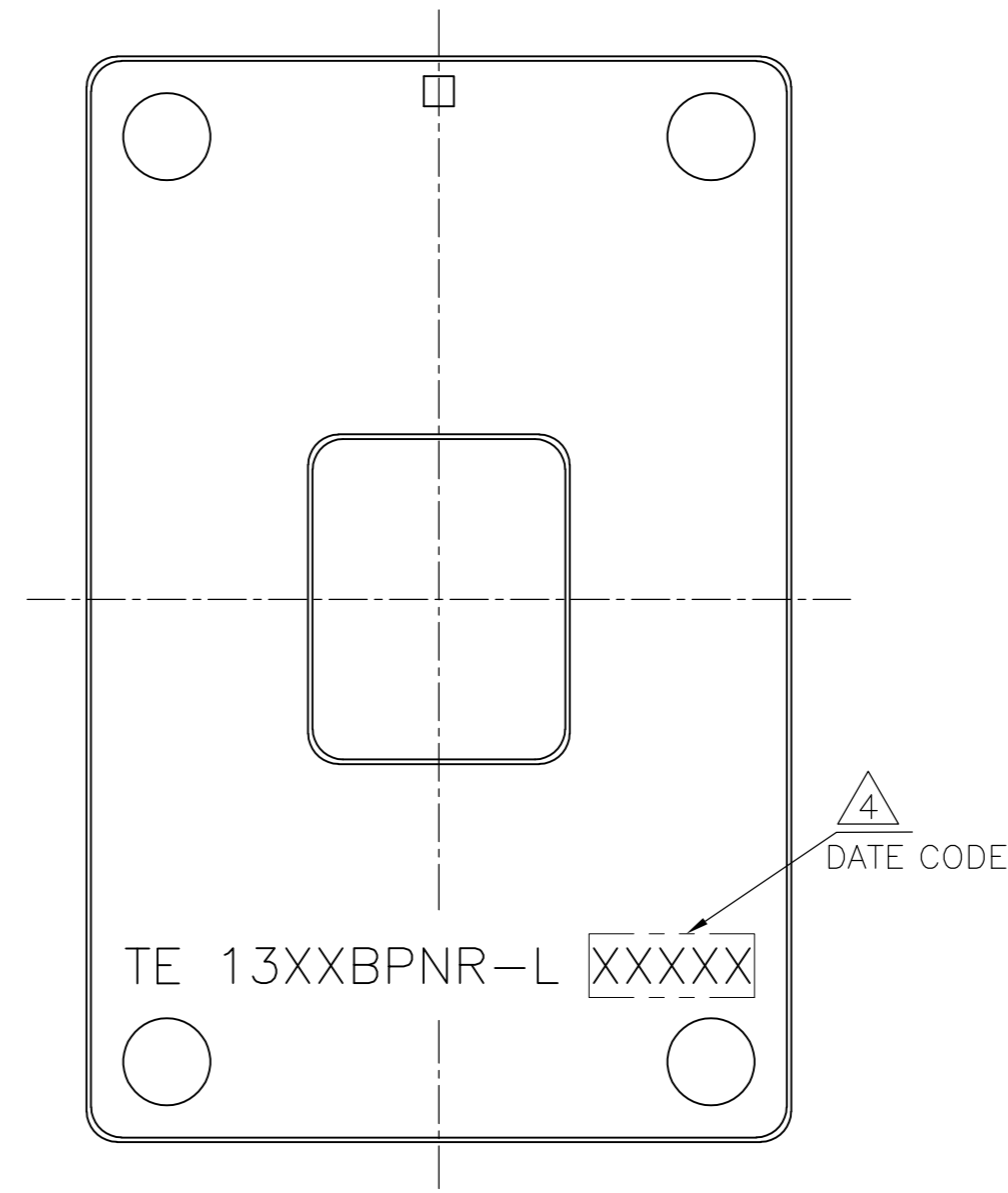
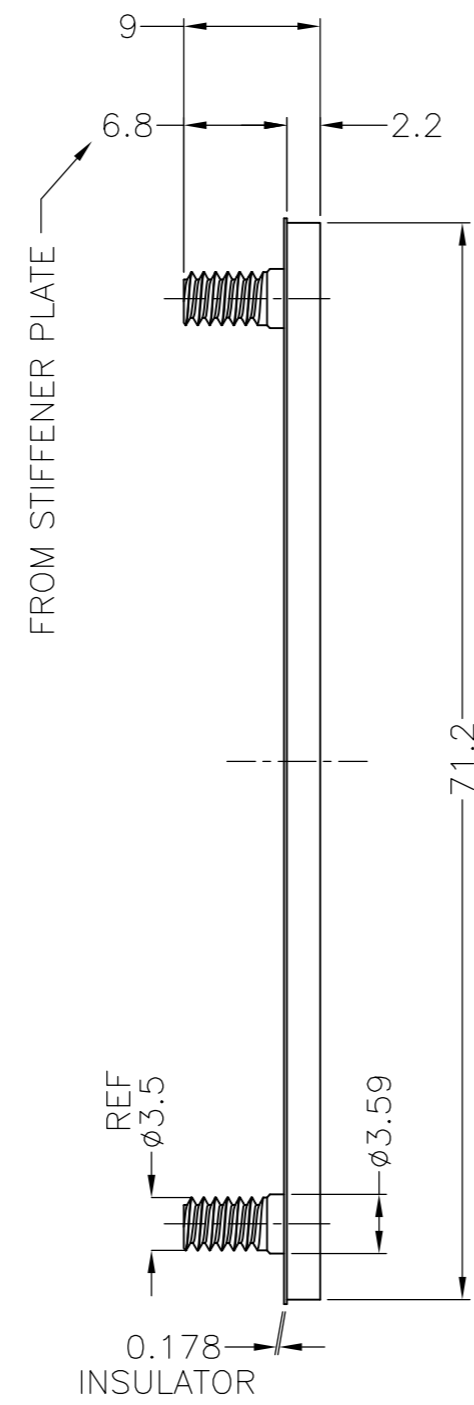
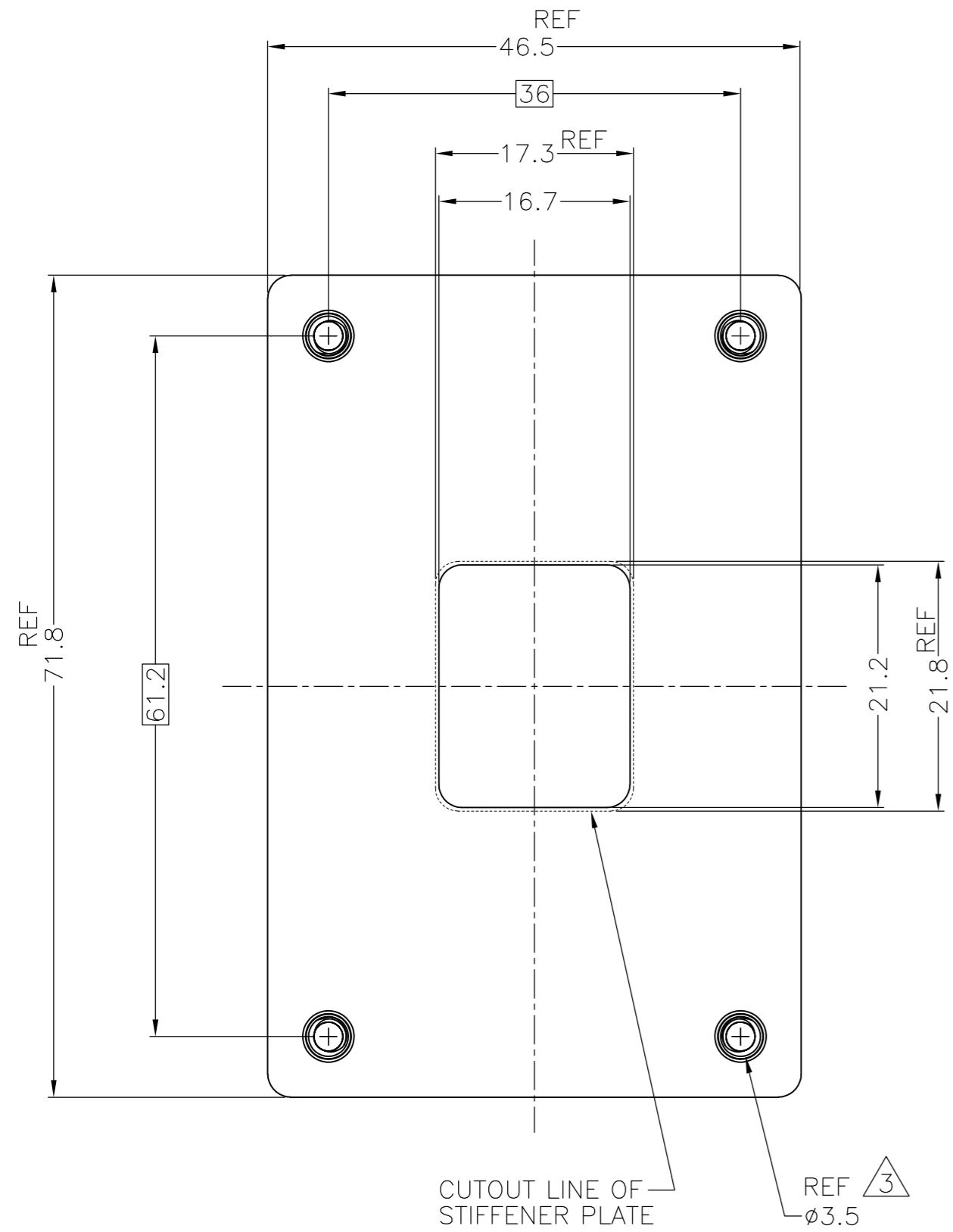
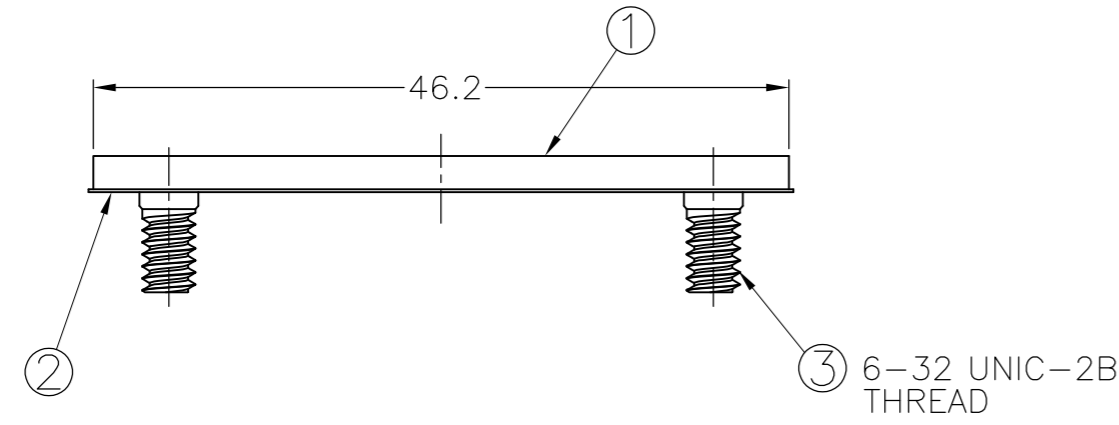


THIS DRAWING IS UNPUBLISHED. RELEASED FOR PUBLICATION  
 © COPYRIGHT BY TYCO ELECTRONICS CORPORATION. ALL INTERNATIONAL RIGHTS RESERVED.

LOC		DIST		REVISIONS				
J		-		変更		DATE	DWN	APVD
		P	LTR	DESCRIPTION				
		A		RELEASED		17NOV'10	Y.T	T.N



- MATERIAL
  - ① STIFFENER PLATE: STEEL  
FINISH: NICKEL PLATING
  - ② INSULATOR: POLYCARBONATE FILM PLUS ACRYLIC ADHESIVE LAYER  
SOCKET ASSY LGA1366 OR SOCKET ASSY LGA1356  
(DRAWING NUMBER: 1981837 OR 1554116)
  - ③ STUD BOLT: STEEL  
FINISH: NICKEL PLATING
- ASSEMBLED WITH ILM ASSY (DRAWING NUMBER: 1939738)
- △ THE STUD BOLTS SHALL BE ADAPTED TO PCB LAYOUT FOR SOCKET ASSY LGA1366 OR SOCKET ASSY LGA1356 (DRAWING NUMBER: 1981837 OR 1554116)
- △ INDICATED DATE CODE ON THE STIFFENER PLATE

2134909-1 : AS SHOWN

2134909-1  
PART NUMBER

THIS DRAWING IS A CONTROLLED DOCUMENT.		DWN Y.TAKAHASHI 17NOV2010	Tyco Electronics Corporation Kawasaki, Japan	
DIMENSIONS: 単位: 純 mm		CHK H.TAGUCHI 17NOV2010	NAME S.HASHIMOTO	
TOLERANCES UNLESS OTHERWISE SPECIFIED: 一般公差		APVD S.HASHIMOTO 17NOV2010	PRODUCT SPEC 製品規格	
0 PLC ± 1 PLC ± ±0.3 2 PLC ± ±3 3 PLC ± 4 PLC ±		APPLICATION SPEC 取付適用規格	SIZE A2	CAGE CODE 00779
MATERIAL 材料		FINISH 仕上	DRAWING NO 番号 C=2134909	RESTRICTED TO -
		WEIGHT 52g	SCALE 尺度 2:1	SHEET 1 OF 1
		CUSTOMER DRAWING	REV A	