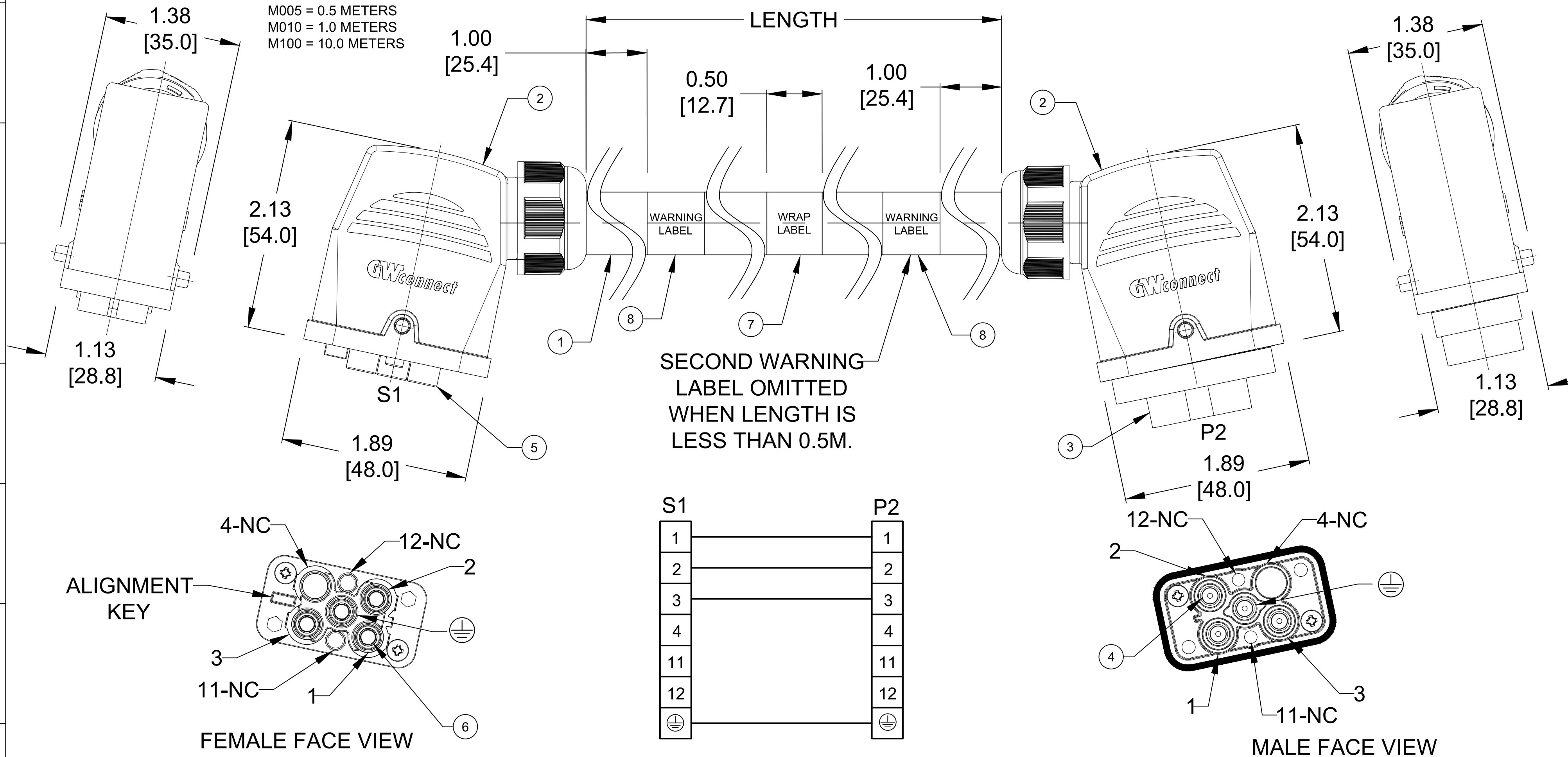


PART NUMBER KEY

93599-0004-M002

LENGTH
 M002 = 8 INCHES
 M005 = 0.5 METERS
 M010 = 1.0 METERS
 M100 = 10.0 METERS



8	WARNING LABEL	VINYL	BLACK/ORANGE
7	WRAP LABEL	VINYL	BLACK/YELLOW
6	CONTACT SOCKET	COPPER ALLOY	SILVER PLATED
5	INSERT, FEMALE	POLYCARBONATE	GREY
4	CONTACT PIN	COPPER ALLOY	SILVER PLATED
3	INSERT, MALE	POLYCARBONATE	GREY
2	HOOD W/ CABLE GLAND	POLYAMIDE	BLACK
1	CABLE #10/4	TPE JACKET	BLACK
ITEM	DESCRIPTION	MATERIAL	FINISH

LENGTH VARIATIONS	EC NO.: IPG2017-0311	10/24/16	QUALITY SYMBOL $\nabla=0$ $\nabla C=0$
	DRWN: KCOX01	2016/10/25	
	CHKD: MZELINS	2016/10/25	
	APPR: BWOODMAN	2016/10/05	
C	REV	DESCRIPTION	

GENERAL TOLERANCES (UNLESS SPECIFIED)		DIMENSION STYLE INCH/MM		SCALE NTS	DESIGN UNITS METRIC	THIRD ANGLE PROJECTION	
	mm	INCH	DRAWN BY DATE	TITLE	HDC MALE-FEMALE S-QD 4/2 M/F 12:00 KEY #10 AWG TPE CABLE		
4 PLACES	±---	±---	KCOX01 2016/07/20				
3 PLACES	±---	±---	CHECKED BY DATE		MOLEX INCORPORATED		
2 PLACES	±---	±---	RSTONE 2016/07/28				
1 PLACE	±---	±---	APPROVED BY DATE		SD-93599-001		
ANGULAR ±---°		BWOODMAN 2016/10/05					
DRAFT WHERE APPLICABLE MUST REMAIN WITHIN DIMENSIONS		MATERIAL NO. SEE TABLE		DOCUMENT NO.		SHEET NO. 1 OF 1	
SIZE C		THIS DRAWING CONTAINS INFORMATION THAT IS PROPRIETARY TO MOLEX INCORPORATED AND SHOULD NOT BE USED WITHOUT WRITTEN PERMISSION					