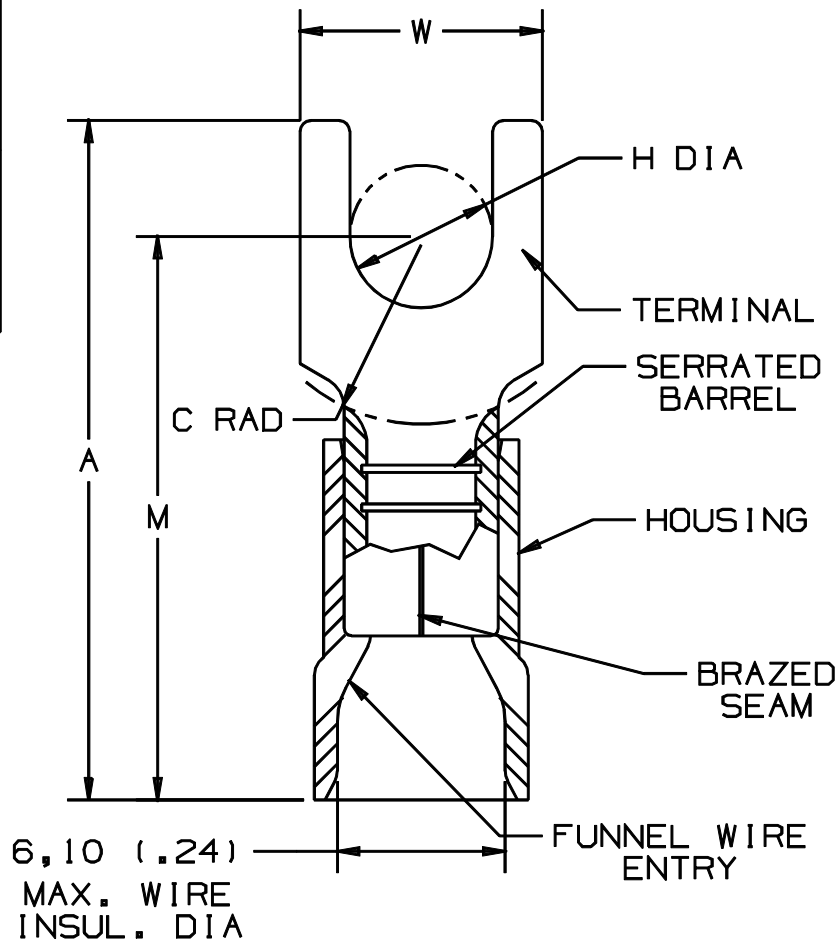


THIS COPY IS PROVIDED ON A RESTRICTED BASIS AND IS NOT TO BE USED IN ANY WAY DETRIMENTAL TO THE INTERESTS OF PANDUIT CORP.

| PANDUIT PART # | | STUD SIZE | DIMENSIONS mm | | | | |
|----------------|----------|-----------|-----------------|----------------|---------------|----------------|---------------|
| PREFIX | PK | | A ±0,51 | W ±0,25 | C ±0,38 | M ±0,51 | H ±0,25 |
| PMV6-4F | -L -D | M4 | 26,42 (1.04) | 8,13 (.32) | 5,59 (.22) | 20,57 (.81) | 4,32 (.17) |
| PMV6-5F | -L -D | M5 | 26,42 (1.04) | 9,65 (.38) | 5,59 (.22) | 20,57 (.81) | 5,33 (.21) |
| PMV6-6F | -L -D | M6 | 29,46 (1.16) | 10,92 (.43) | 8,13 (.32) | 23,11 (.91) | 6,60 (.26) |



NOTES:

- USED FOR:
 - A. 600V MAX. VOLTAGE RATING
 - B. 105°C (221°F) MAX. TEMP. RATING
 - C. 2,5-6,0mm² (#12-10 AWG) STRANDED, COPPER WIRE (4,0-6,0mm² WITH CT-1551M)
- MATERIAL:
 - A. STAMPING - 1,02mm (.04) THK COPPER, TIN PLATED
 - B. HOUSING - YELLOW VINYL
- DIMENSIONS IN BRACKETS ARE IN INCHES
- PACKAGE QTY:
 - A. STD: L=50
 - B. BULK: D=500
- WIRE STRIP LENGTH: 7,9 ^{+0,8} (5/16 ^{+1/32})₋₀
- INSTALLATION TOOLS: REF. DWGS. A41522, A41523, A41524, A41525

A41424_02

| | | | | | | | | | |
|-----|-------|-----|-----|---|-------|------|-----|---|--|
| 02 | 10/97 | TM | | CHANGED DECIMAL POINTS TO COMMAS | | | | | |
| 01 | 3/97 | JKD | SKB | ADDED CT-1551M TO NOTE, BRAZED SEAM WAS BUTTED, REMOVED "B" FROM PART NO. | 05703 | LA | DH | | 2PC. VINYL INSULATED METRIC FORKS 2,5-6,0mm ² BARREL |
| 00 | 7-90 | BK | RLS | RELEASED | 00687 | LA | KRS | | |
| REV | DATE | BY | CHK | DESCRIPTION | ECN # | CUST | PM | DRAWN BY BDK CHK'D RLS SCALE NONE DRAWING NO. A41424 | |