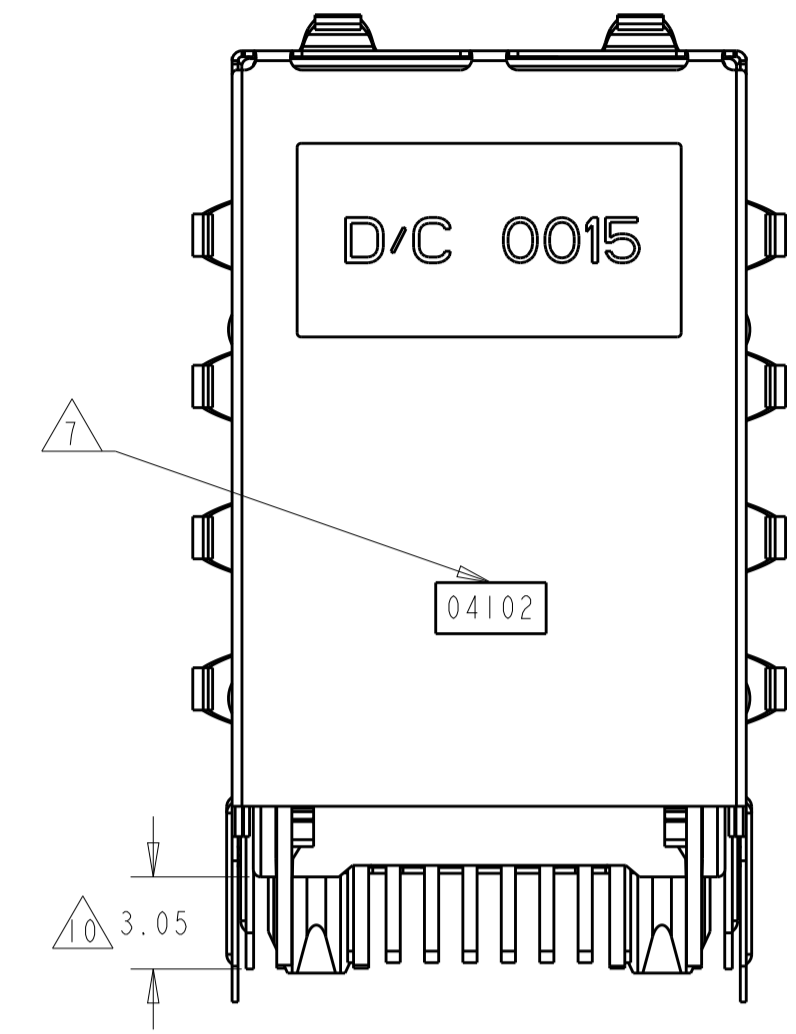
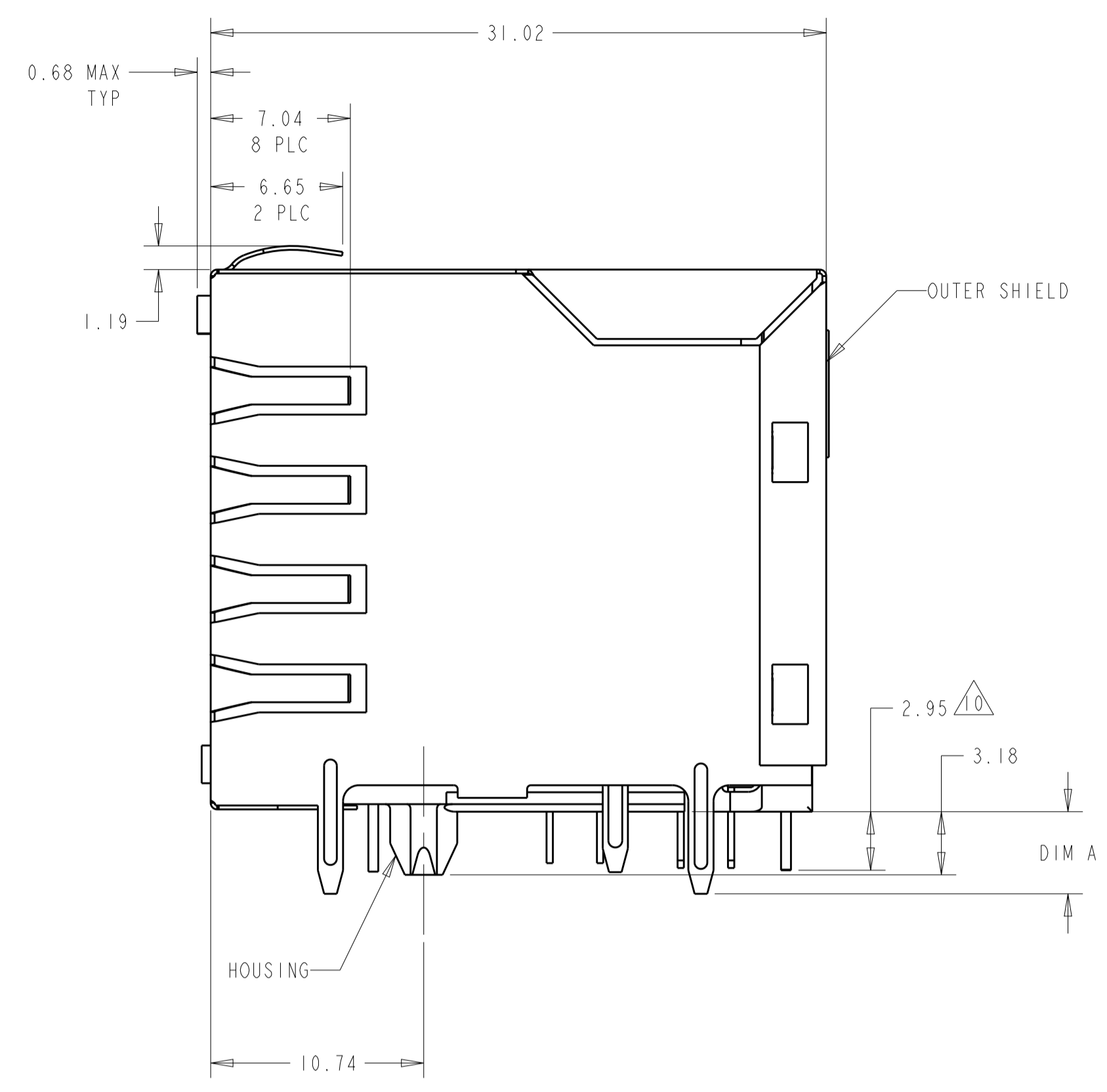
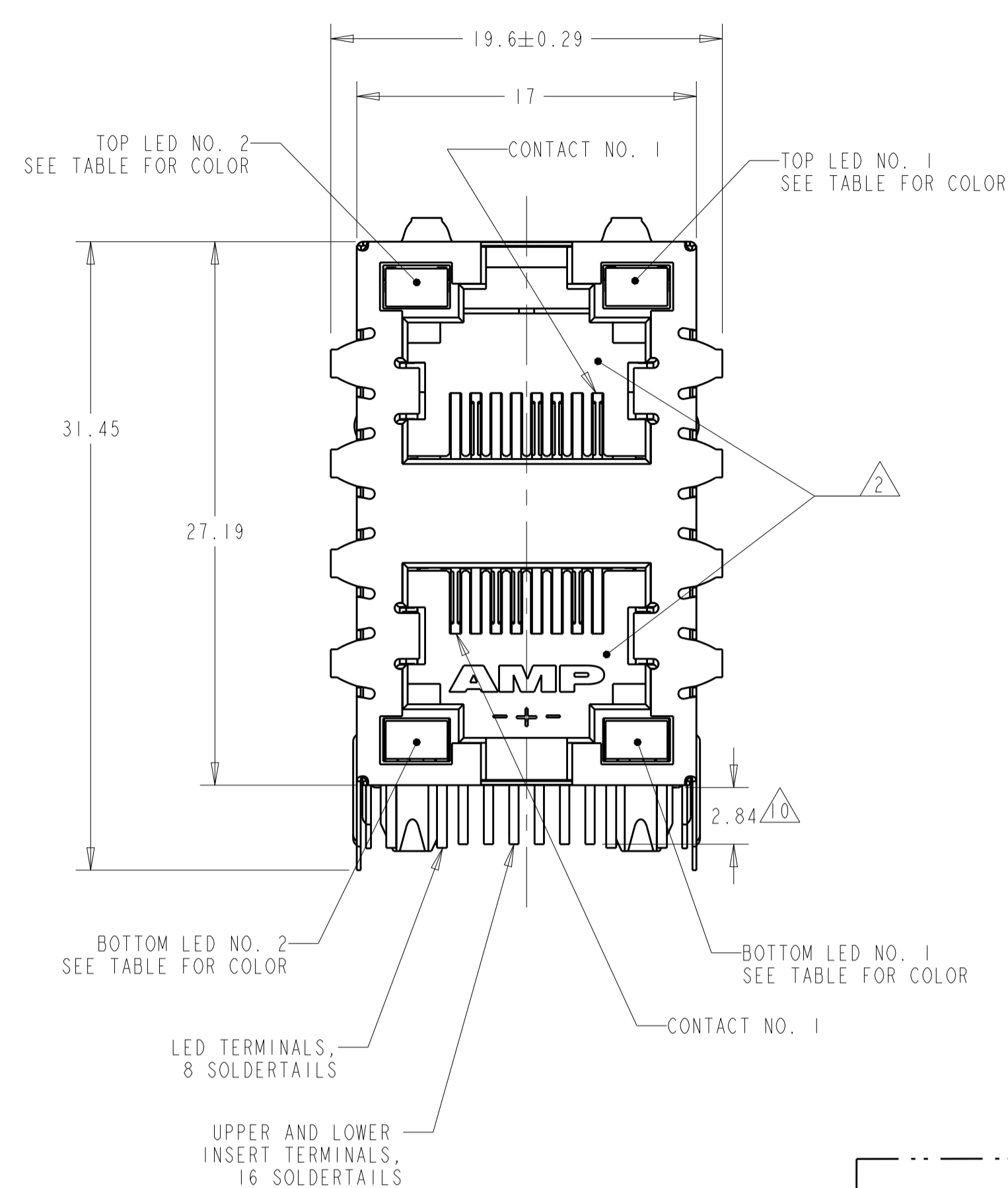
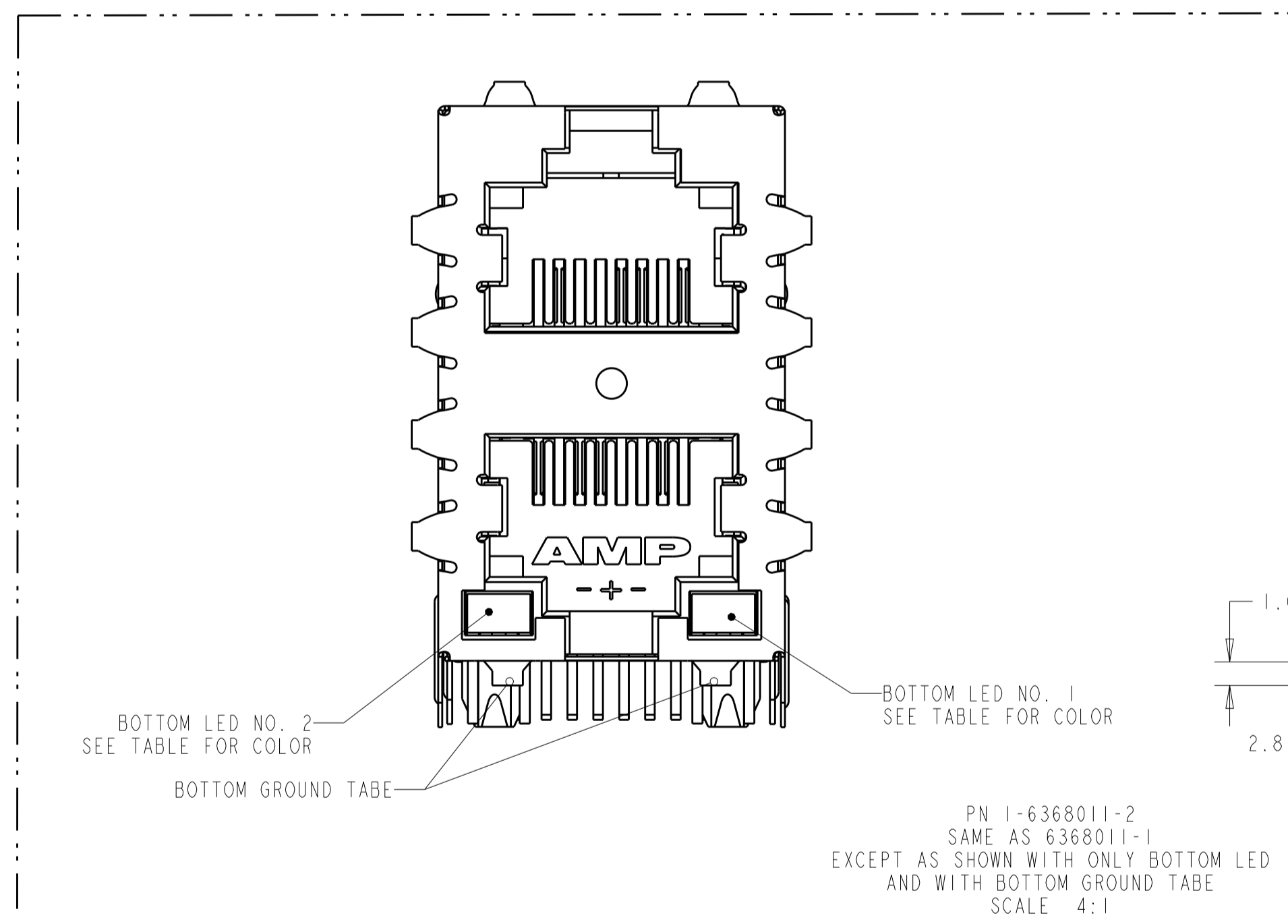
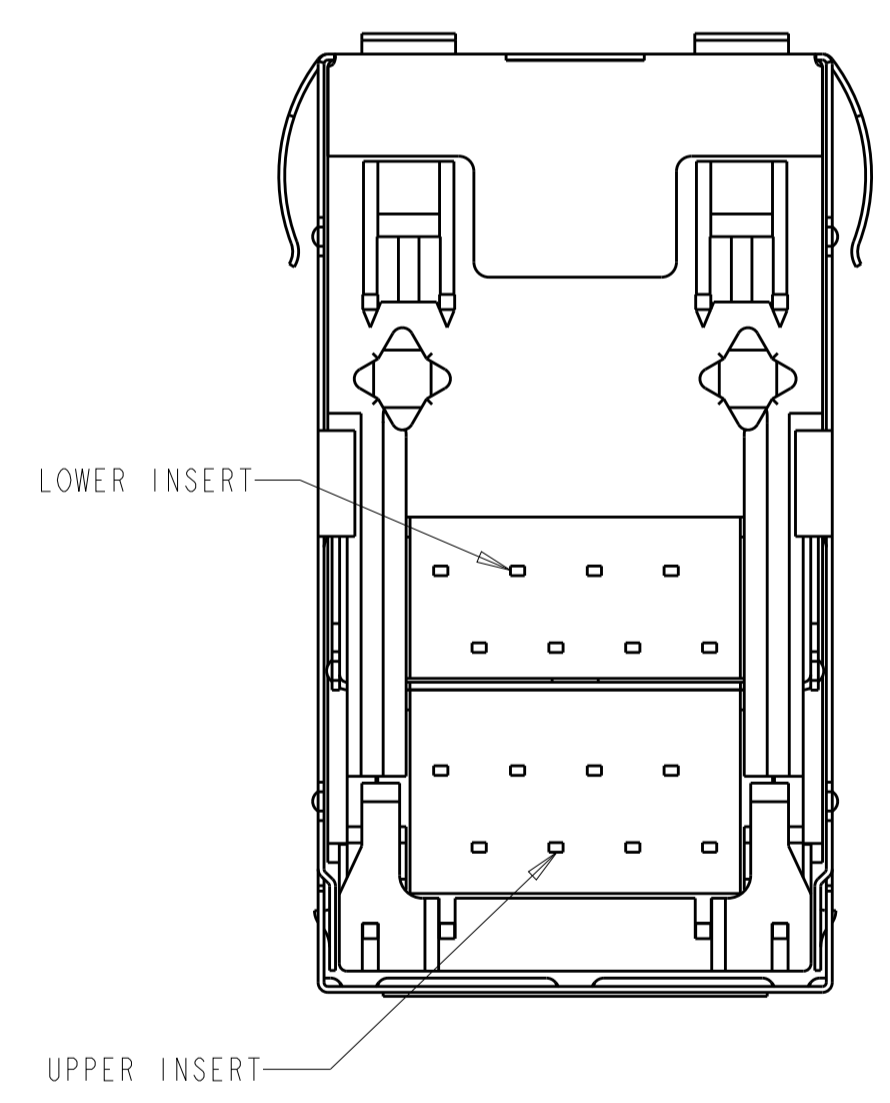


| REVISIONS | | | | | |
|-----------|------|-----------------------|-----------|------|-------|
| P. | LTN. | DESCRIPTION | DATE | DWN. | APVD. |
| K | | REV PER ECO-14-016319 | 23OCT2014 | LL | SH |
| L | | REV PER ECO-15-010136 | 10JUL2015 | LL | SH |

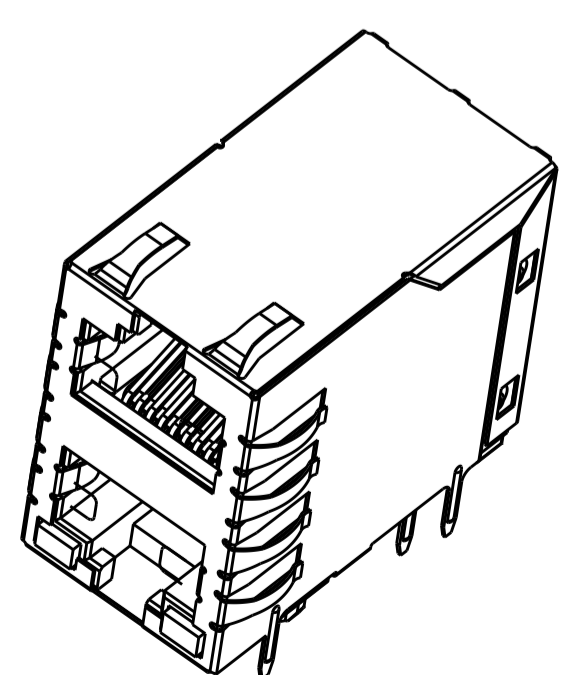
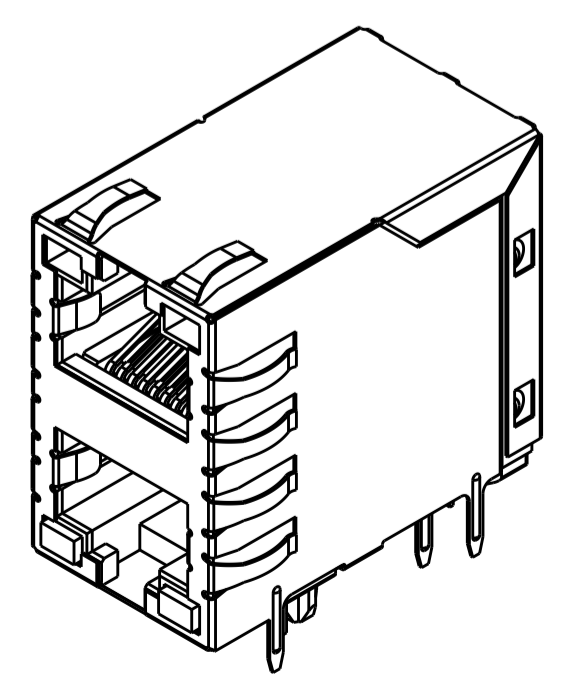
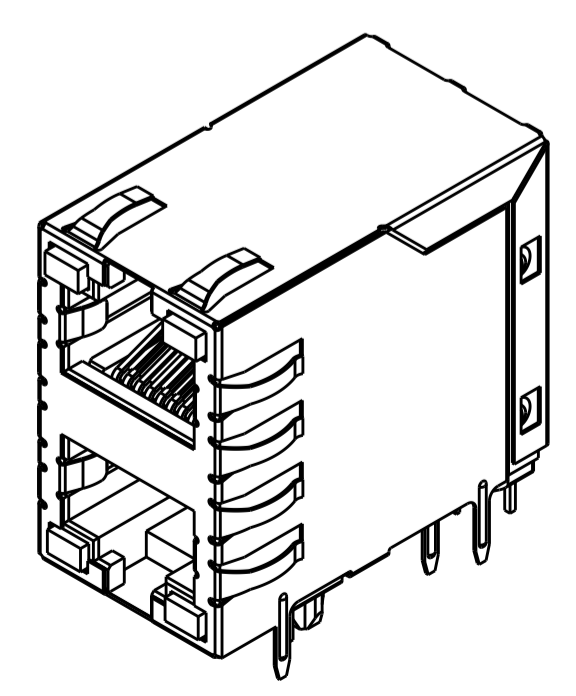


- MATERIAL: HOUSING - PBT POLYESTER, BLACK, UL 94V-0.
TERMINALS - 0.33 THICK PHOSPHOR BRONZE PLATED WITH 1.27um MINIMUM THICK HARD GOLD IN LOCALIZED MATING INTERFACE AND 3.81um MINIMUM THICK MATTE TIN IN SOLDER AREA OVER 1.27um MINIMUM THICK NICKEL UNDERPLATE.
SHIELD - 0.196 THICK COPPER ALLOY PLATED WITH 1.27 um [1.000050] MINIMUM NICKEL AND 2.03 um [1.000080] MINIMUM HOT TIN DIP ON PCB GROUND TABS..
LIGHT EMITTING DIODE (LED) - DIFUSED EPOXY LENS, 0.51 X 0.51 CARBON STEEL WIREFRAME LEADS PREPLATED WITH 8.89 um THICK Sn/Cu OVER 2.03 um THICK Ag OVER 1.02 THICK Cu OVER 3.56 um THICK Ni OVER 1.02 um Cu UNDERPLATE
- JACK CAVITY CONFORMS TO FCC RULES AND REGULATIONS, PART 68 SUBPART F.
- SUGGESTED OPERATING CURRENT FOR THE LED IS 20mA. GREEN/ORANGE BI-COLOR LEDS ON 6368011-4 AND 1-6368011-0 WILL EMIT GREEN LIGHT ON FORWARD BIAS CURRENT AND ORANGE LIGHT ON REVERSE BIAS CURRENT. GREEN/RED BI-COLOR LEDS ON 6368011-9 AND 1-6368011-0 WILL EMIT GREEN LIGHT ON FORWARD BIAS CURRENT AND RED LIGHT ON REVERSE BIAS CURRENT. GREEN/YEL BI-COLOR LEDS ON 1-6368011-1 WILL EMIT GREEN LIGHT ON FORWARD BIAS CURRENT AND YELLOW LIGHT ON REVERSE BIAS CURRENT.
- THIS MODULAR JACK WITH INTEGRATED LED IS NOT IR REFLOW SOLDERING PROCESS COMPATIBLE.
- USE NO. 30 DRILL BIT OR 3.25mm DRILL BIT WHEN PRODUCING THESE PCB HOLES.
- HM-15 LUBE APPLIED TO THE GOLD PLATED AREA OF THE TERMINALS ON 6368011-8 ONLY.
- DATE CODE LOCATED ON REAR OF PART APPROX AS SHOWN: FIRST 2 DIGITS ARE LAST 2 DIGITS OF YEAR, SECOND 2 DIGITS ARE MANUFACTURING WORK WEEK, LAST DIGIT IS DAY OF WEEK, WITH SUNDAY=1.
- THE PART NUMBER IS PRELIMINARY.
- OBSOLETE PARTS: OBSOLETE CIS STREAMLINING PER D.RENAUD/D.SINISI
- GROUND PIN AND ALL SIGNAL PINS' LENGTH SHOULD BE 4.06 MM EXCEPT OUTER SHIELD THIS REQUEST IS ONLY FOR PART 1-6368011-4



| 4.14 | GREEN/ORANGE | GREEN/ORANGE | N/A | N/A | 2-6368011-1 |
|----------|--------------|--------------|--------------|--------------|---------------|
| 3.44 MAX | GREEN | GREEN | GREEN | GREEN | 1-6368011-5 |
| 4.14 | GREEN | YELLOW | GREEN | YELLOW | 1-6368011-4 |
| 4.14 | GREEN | YELLOW | N/A | N/A | 1-6368011-3/8 |
| 3.175 | GREEN | ORANGE | N/A | N/A | 1-6368011-2 |
| 4.14 | GREEN/YELLOW | GREEN/YELLOW | GREEN/YELLOW | GREEN/YELLOW | 1-6368011-1 |
| 4.14 | GREEN/ORANGE | GREEN/ORANGE | GREEN/RED | GREEN/RED | 1-6368011-0 |
| 4.14 | GREEN/RED | GREEN/RED | GREEN/RED | GREEN/RED | 6368011-9 |
| 4.14 | YELLOW | GREEN | YELLOW | GREEN | 6368011-8/6 |
| 4.14 | GREEN | ORANGE | N/A | N/A | 6368011-7 |
| | GREEN | GREEN | YELLOW | GREEN | 6368011-6 |
| 4.14 | YELLOW | GREEN | YELLOW | GREEN | 6368011-5 |
| 4.14 | GREEN/ORANGE | GREEN/ORANGE | GREEN/ORANGE | GREEN/ORANGE | 6368011-4 |
| 4.14 | GREEN | YELLOW | GREEN | YELLOW | 6368011-3 |
| | YELLOW | GREEN | GREEN | YELLOW | 6368011-2 |
| 4.14 | GREEN | GREEN | GREEN | GREEN | 6368011-1 |

△ OBSOLETE
△ OBSOLETE



THIS DRAWING IS A CONTROLLED DOCUMENT.

DIMENSIONS: mm

TOLERANCES UNLESS OTHERWISE SPECIFIED:

| | |
|-------|-------|
| 0 PLC | ± |
| 1 PLC | ± |
| 2 PLC | ±0.25 |
| 3 PLC | ±0.25 |
| 4 PLC | ± |

ANGLES: ±

MATERIAL: SEE NOTE 1

FINISH: SEE NOTE 1

WEIGHT: -

Customer Drawing

DWN: Vik Slack/JA MAYER
CHK: J.WESTMAN
APVD: S.FLICKINGER

DATE: 13APR2005
DATE: 13APR2005

NAME: S.FLICKINGER

PRODUCT SPEC: 108-1163-2

APPLICATION SPEC: 114-2154

SIZE: A1

CAGE CODE: 00779

DRAWING NO: 6368011

RESTRICTED TO: -

SCALE: 4:1

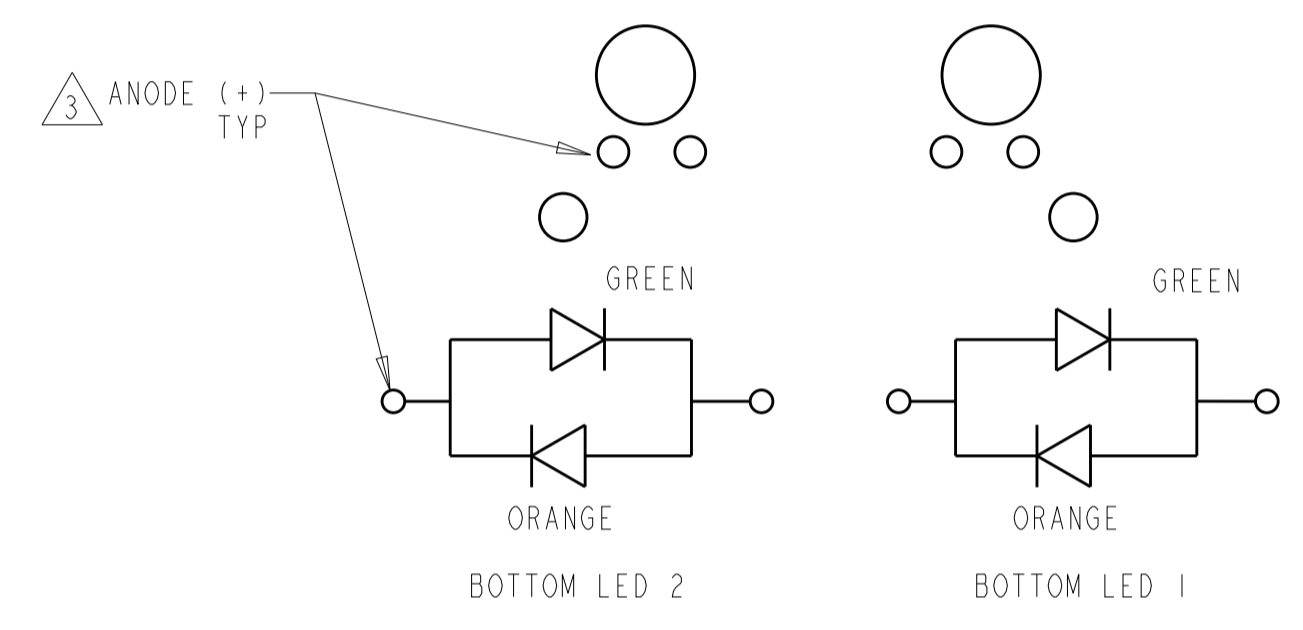
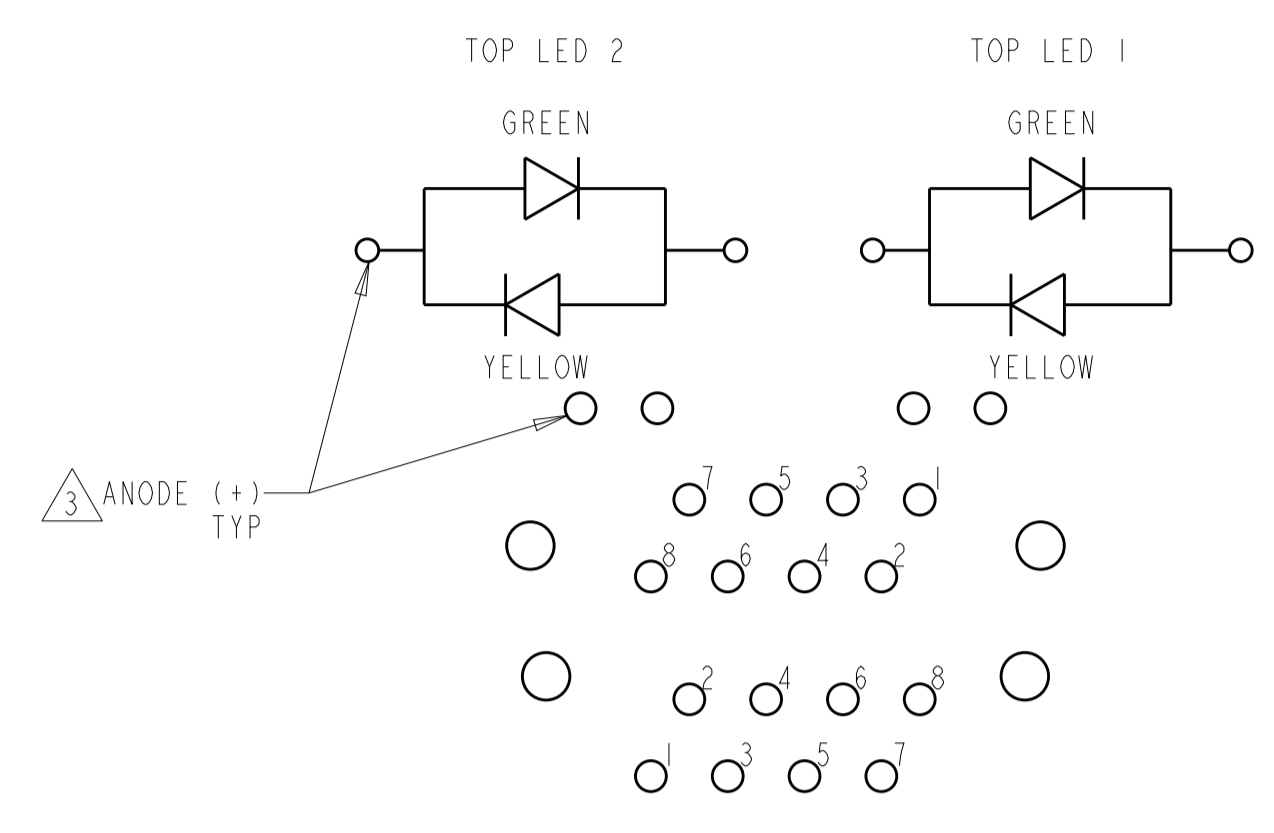
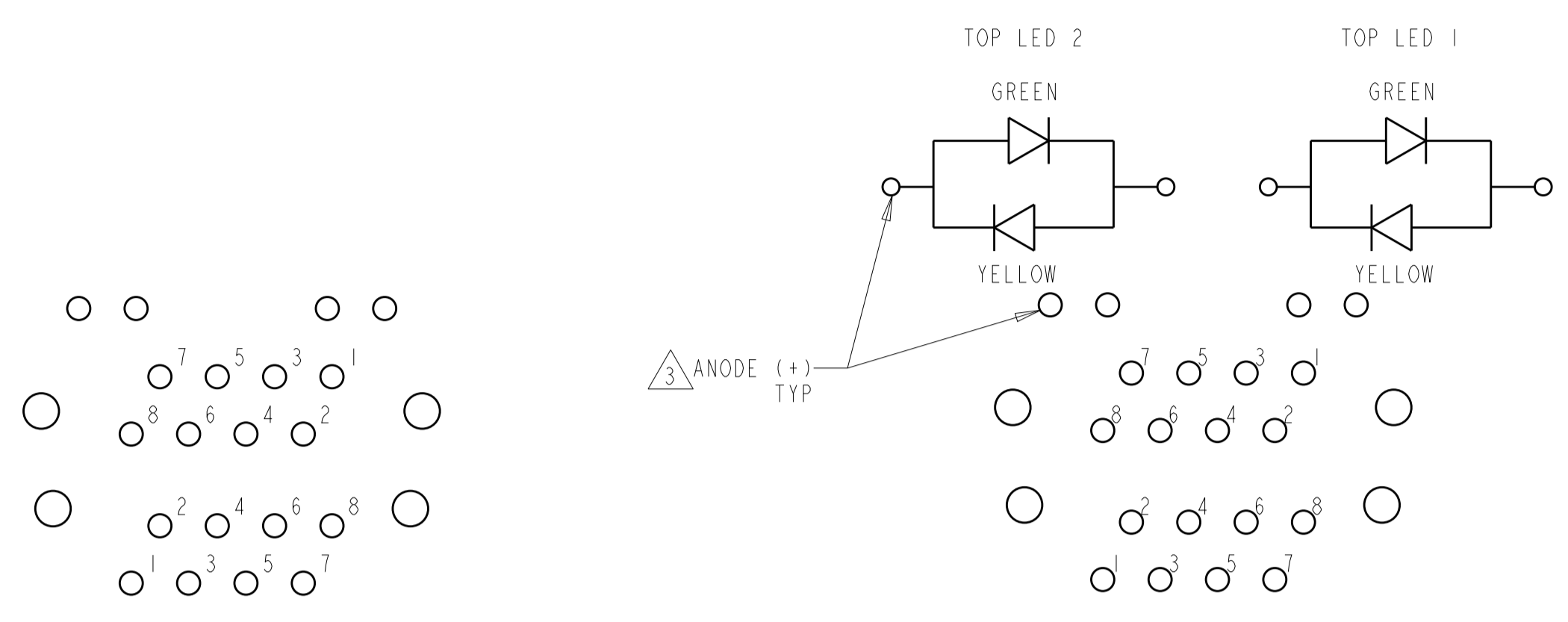
SHEET: 1 OF 3

REV: L

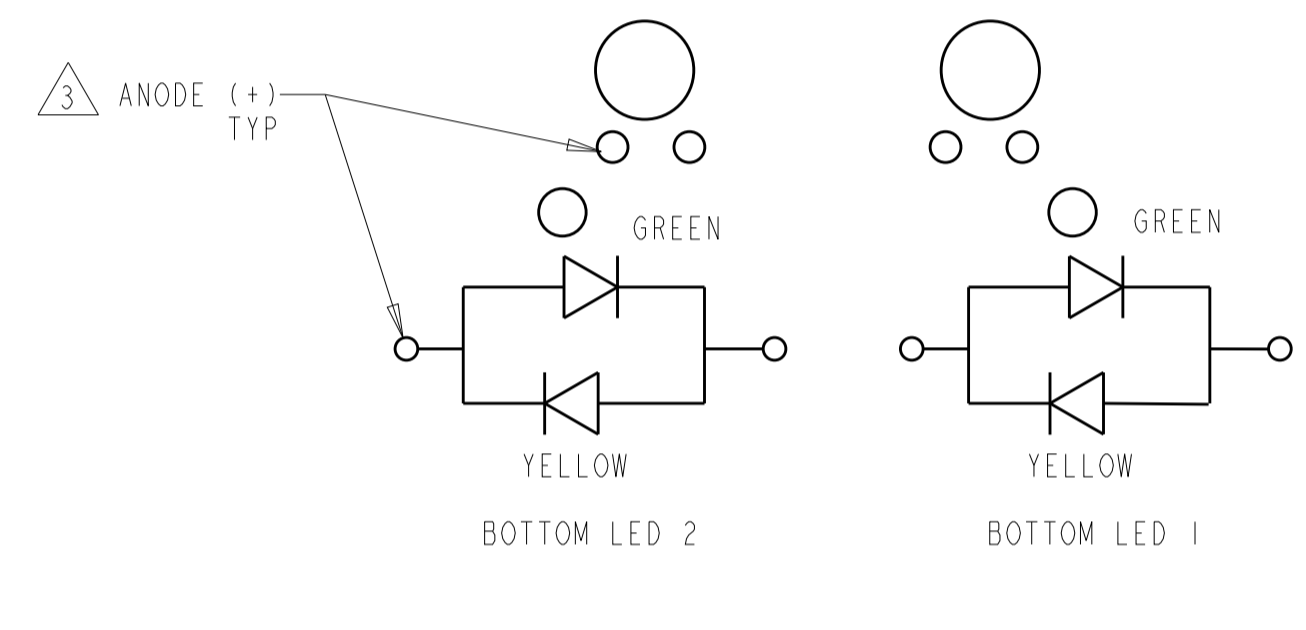
STE TE Connectivity

MODULAR JACK ASSEMBLY, STACKED, 2 X 1, 8 POSITION, SHIELDED, PANEL GROUND, LED, CATEGORY 5

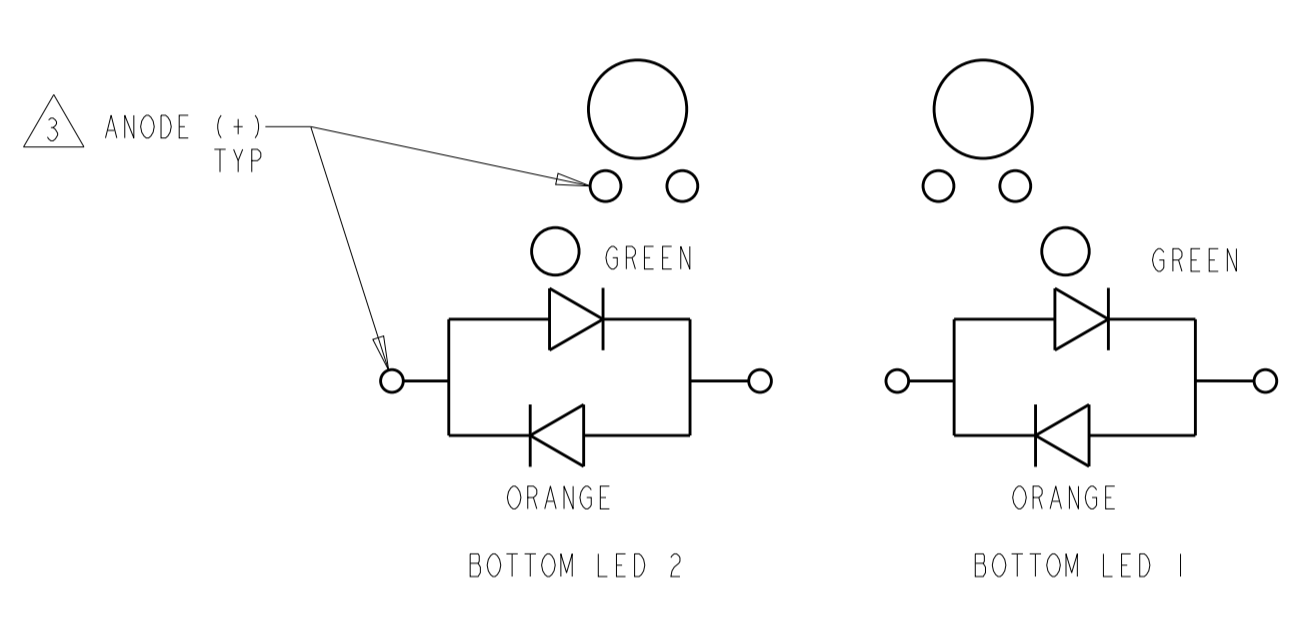
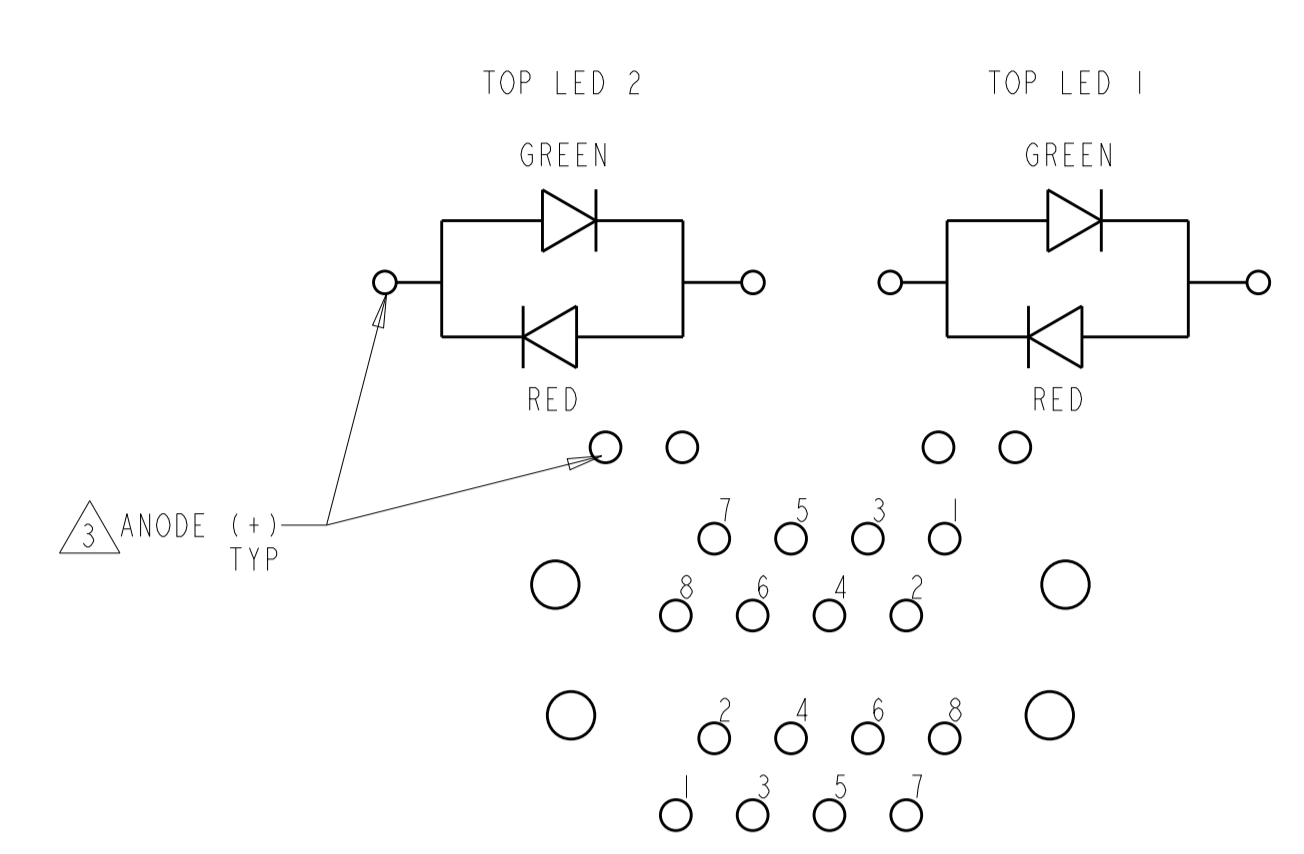
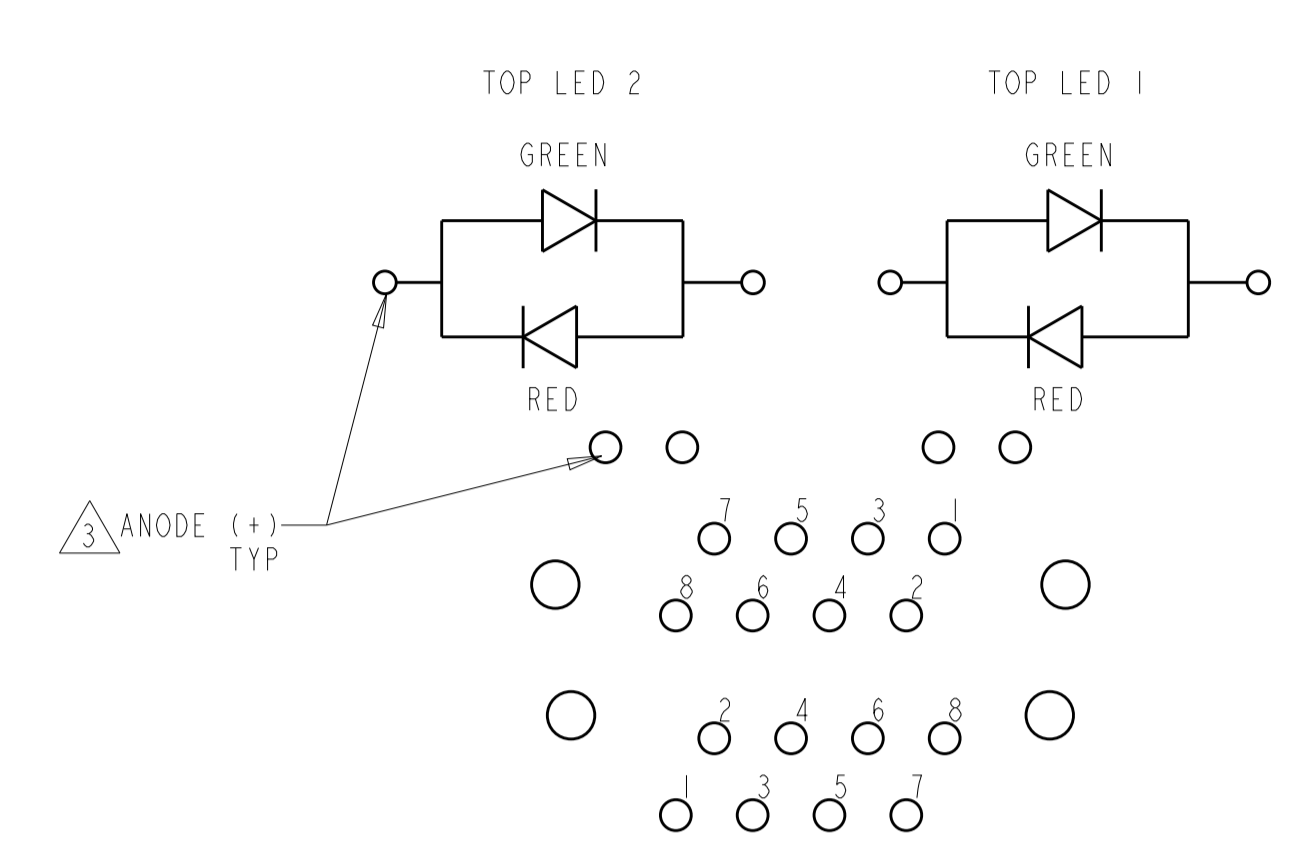
| REVISIONS | | | | |
|-----------|-----|-------------|------|------|
| P. | LTN | DESCRIPTION | DATE | APVD |
| - | - | SEE SHEET 1 | - | - |
| | | | | |
| | | | | |



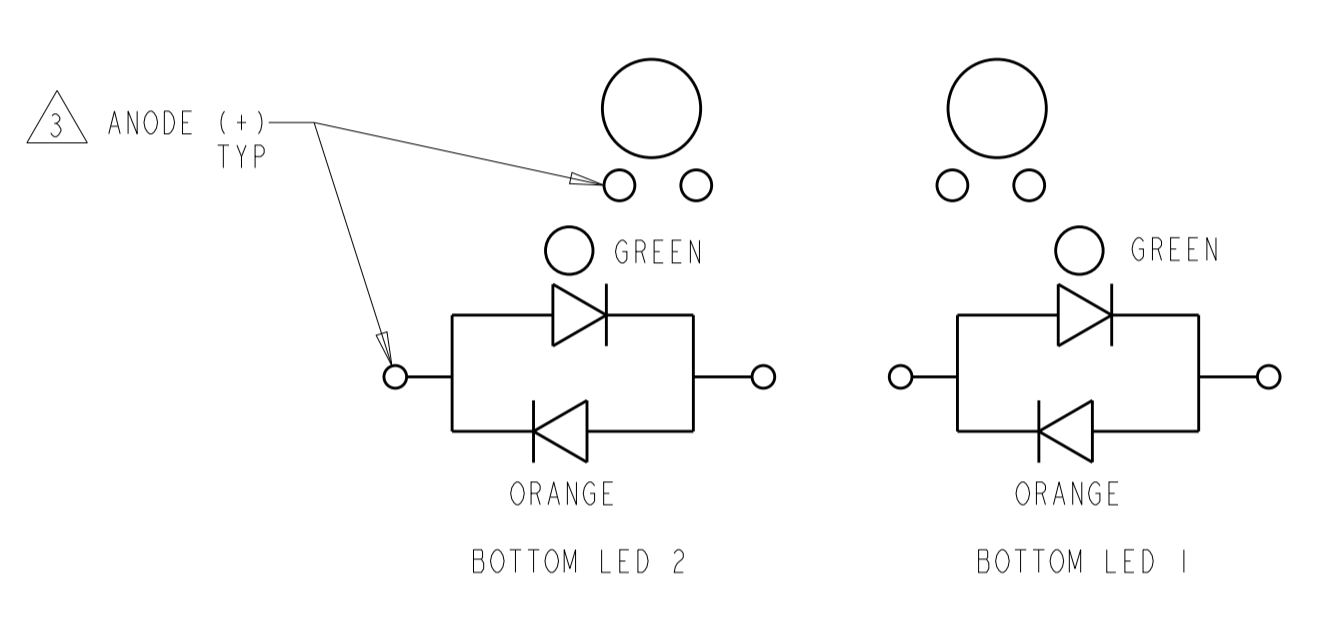
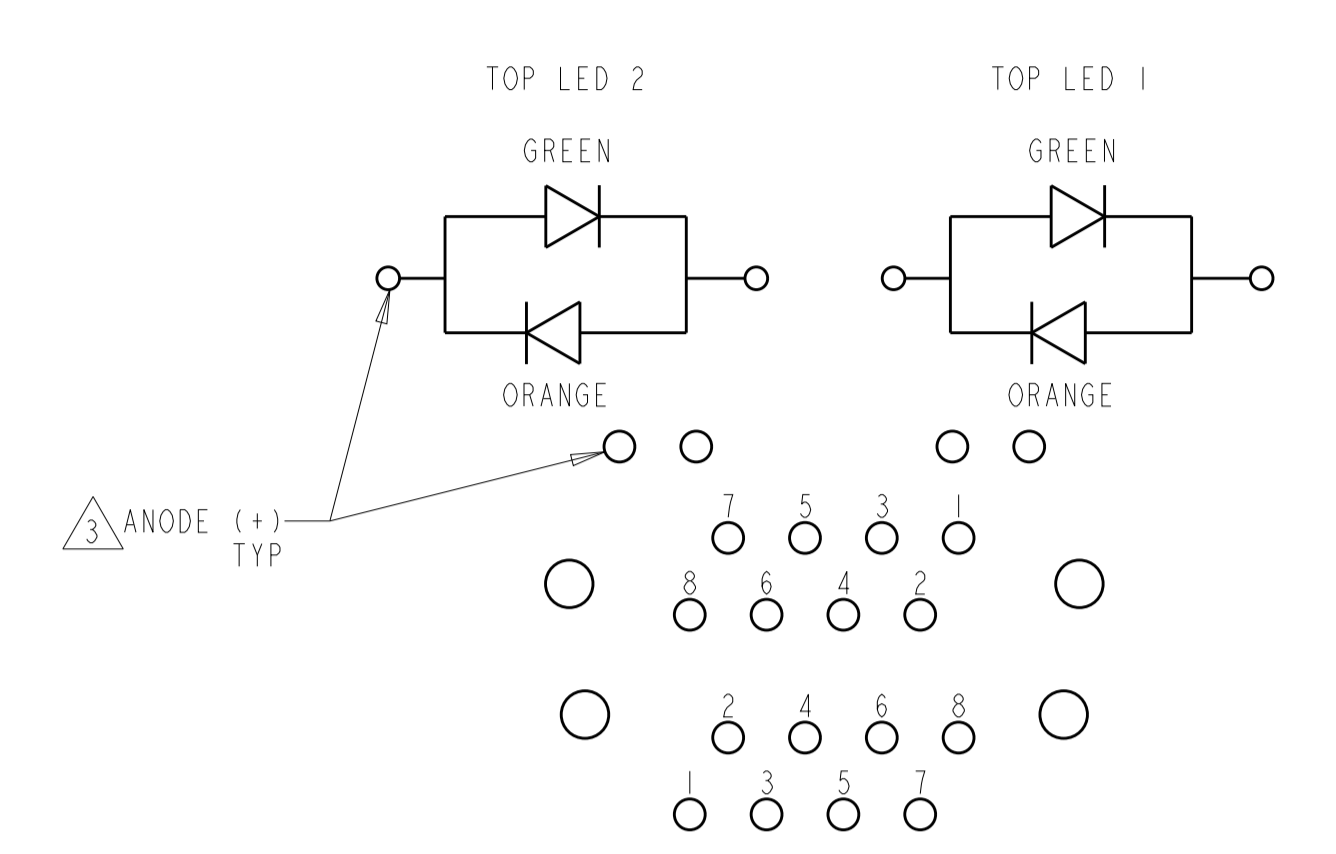
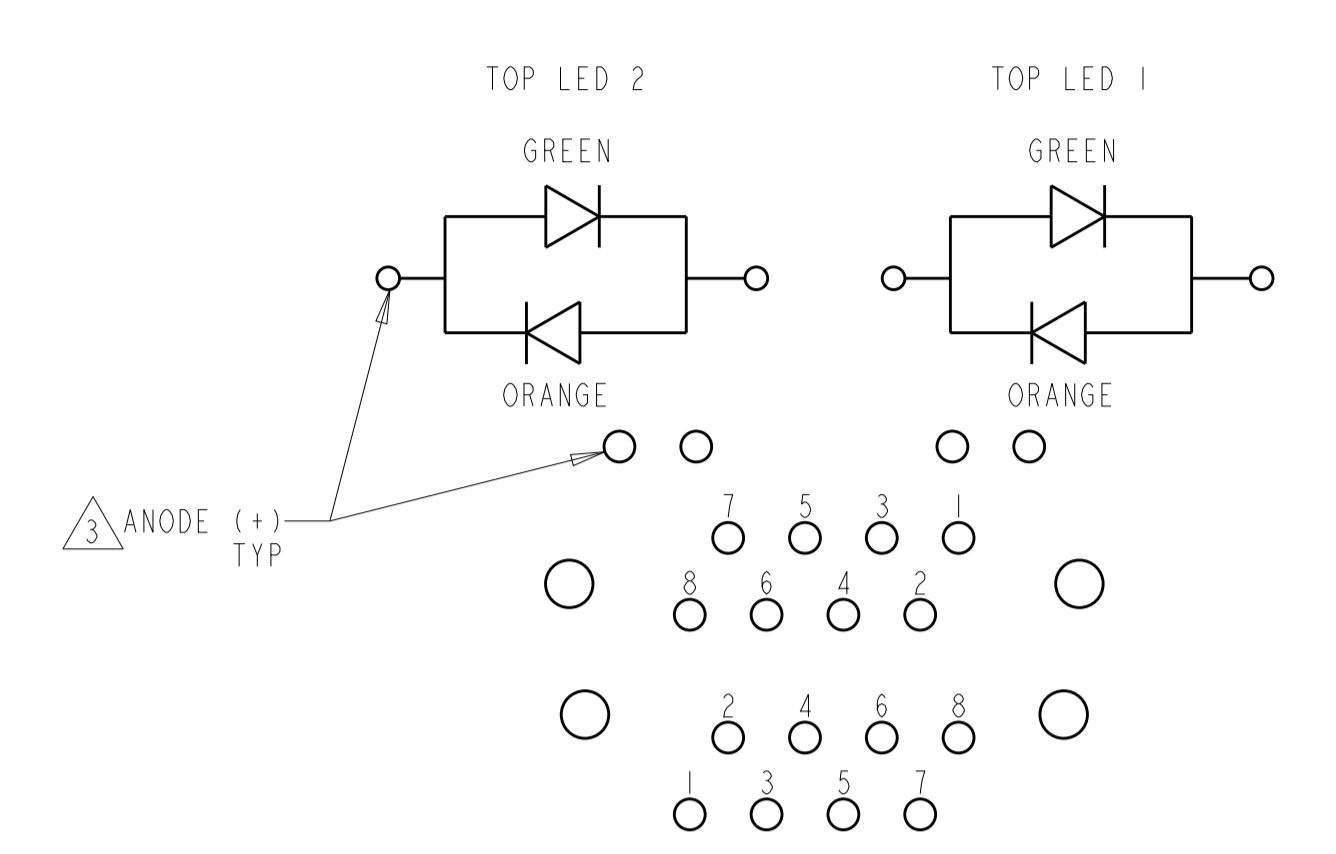
SCHEMATIC FOR 2-6368011-1
SCALE 4:1



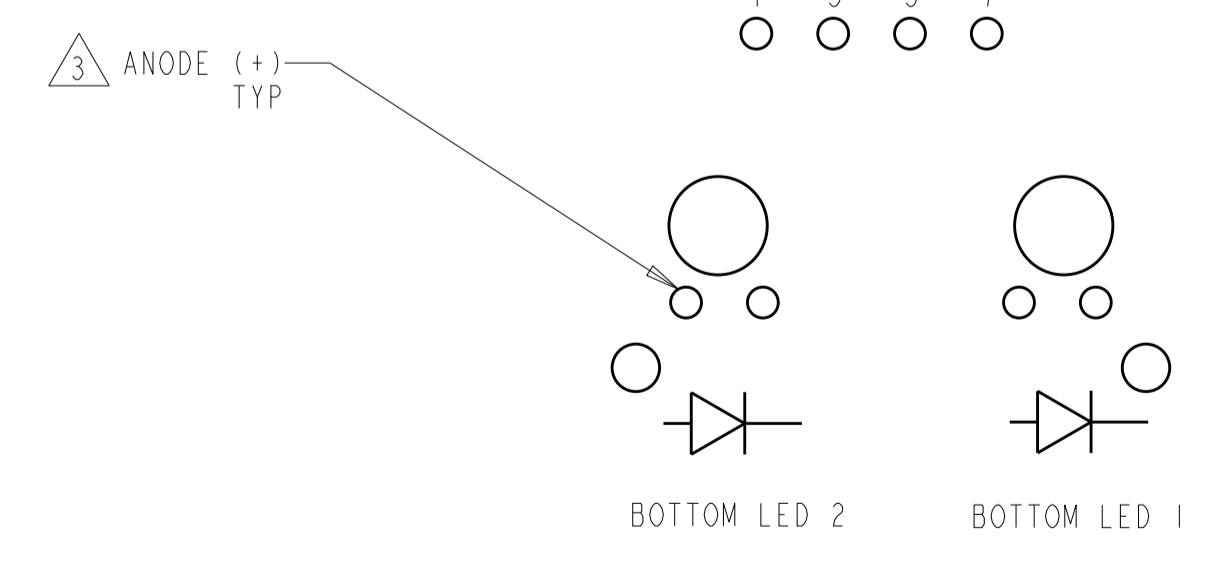
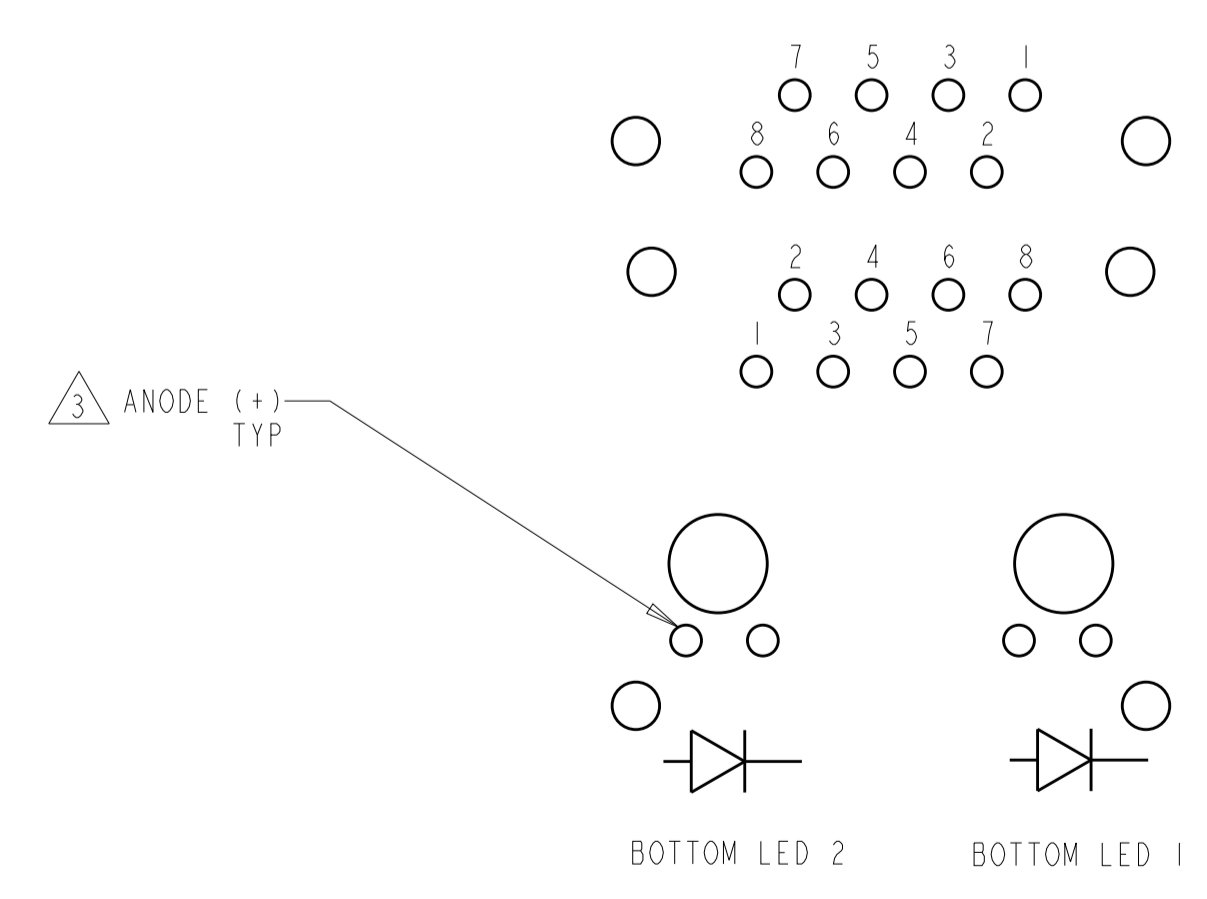
SCHEMATIC FOR 1-6368011-1
SCALE 4:1



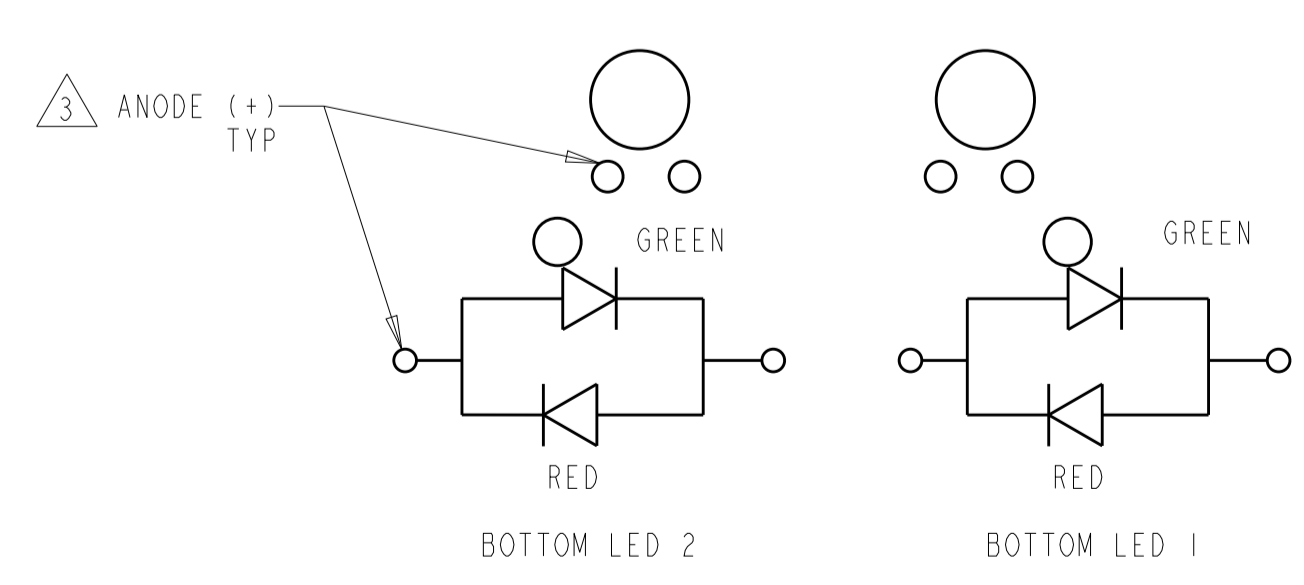
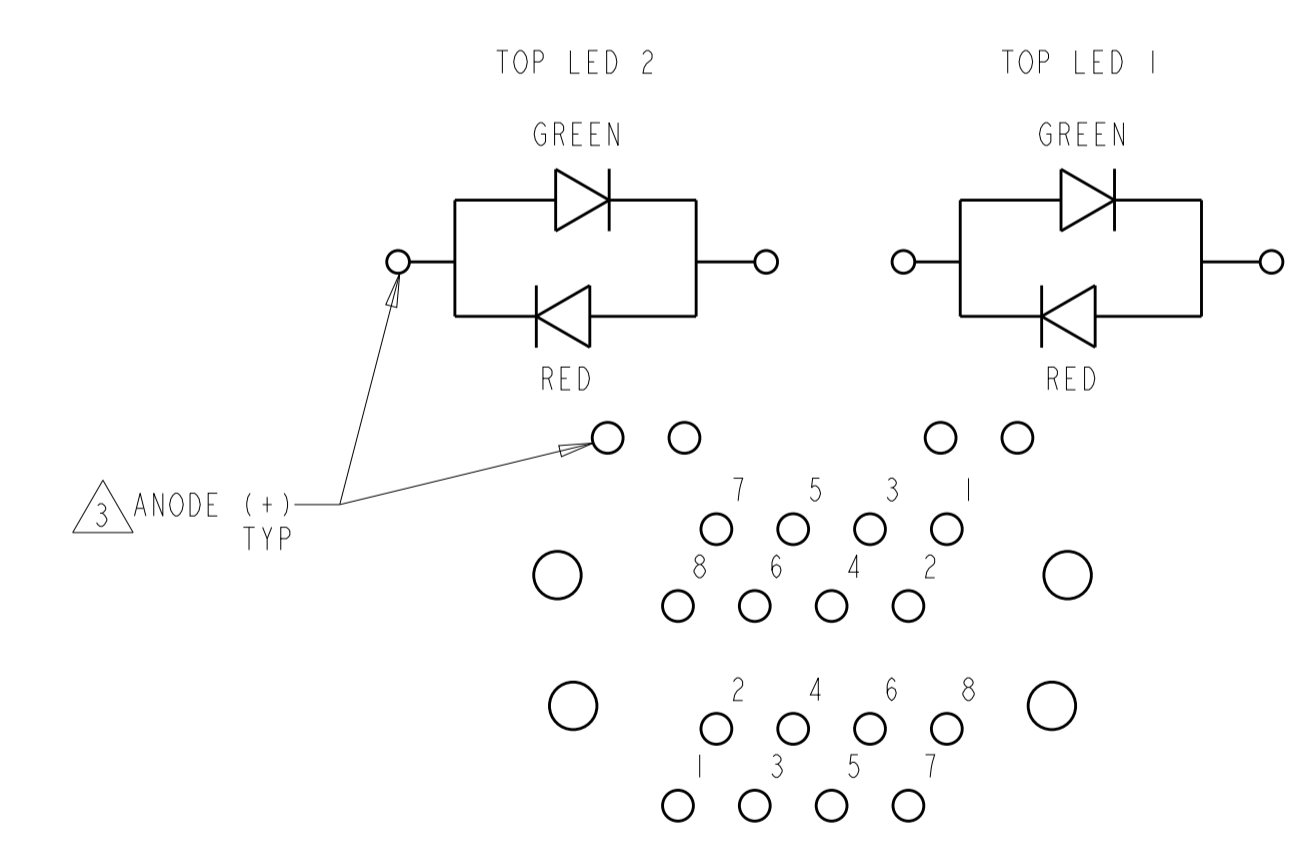
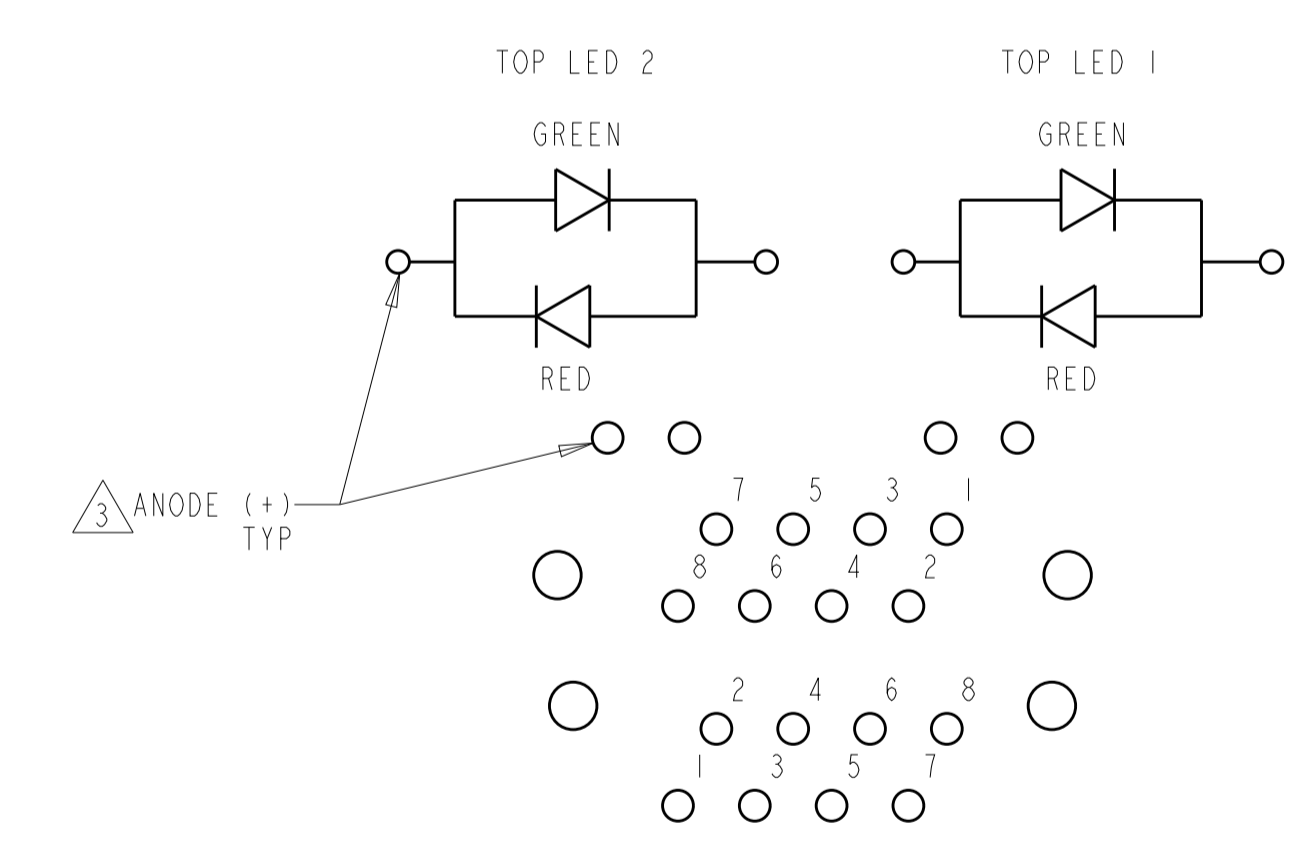
SCHEMATIC FOR 1-6368011-0
SCALE 4:1



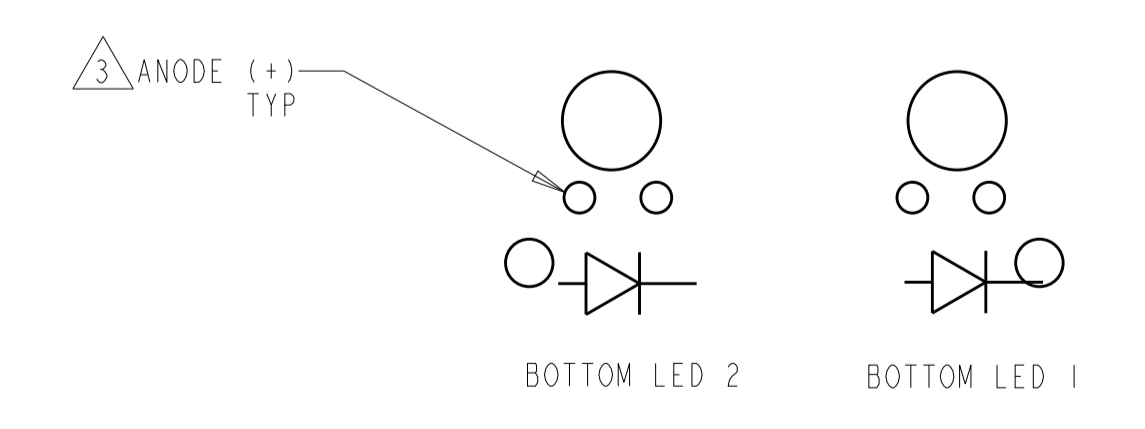
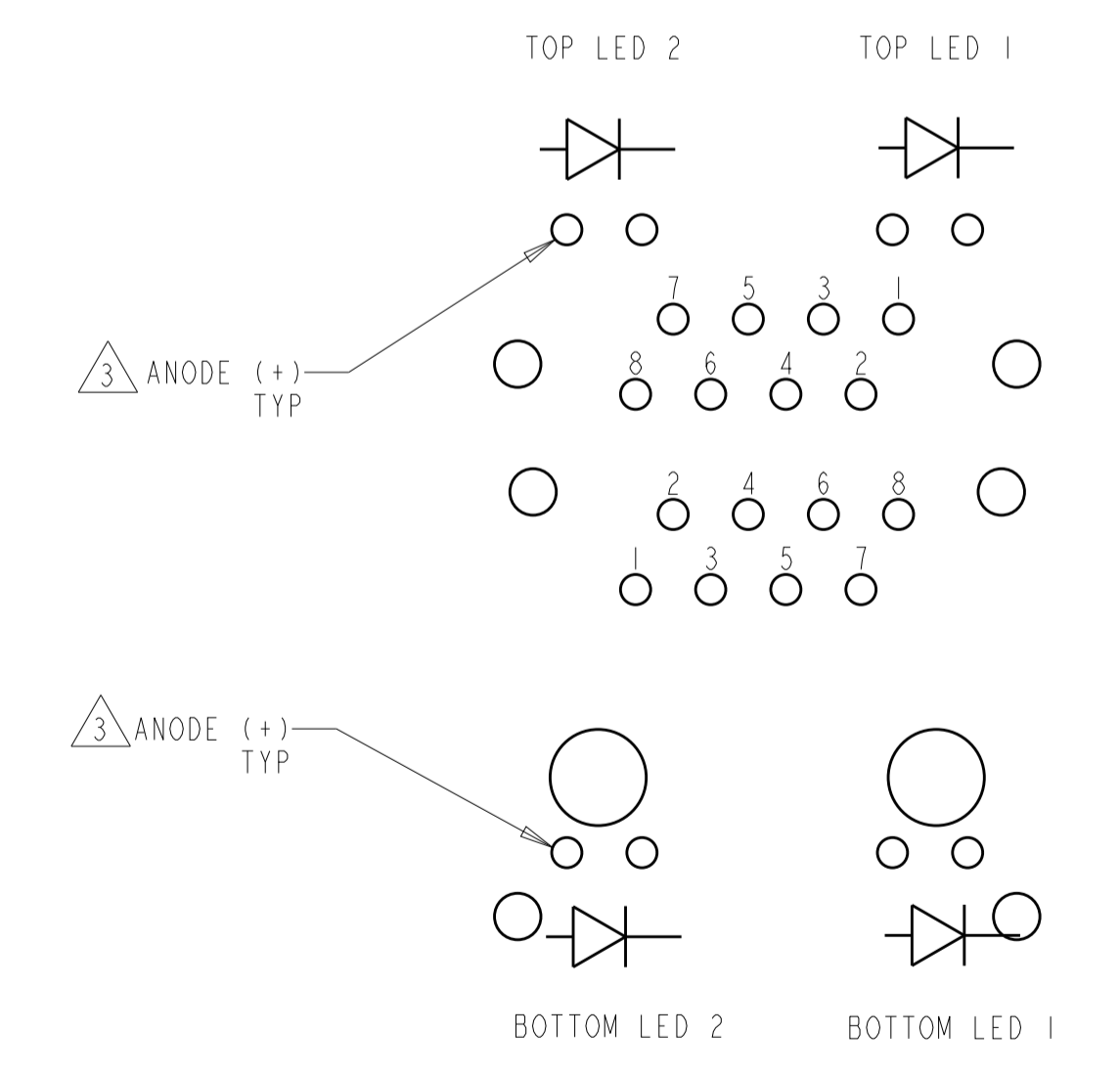
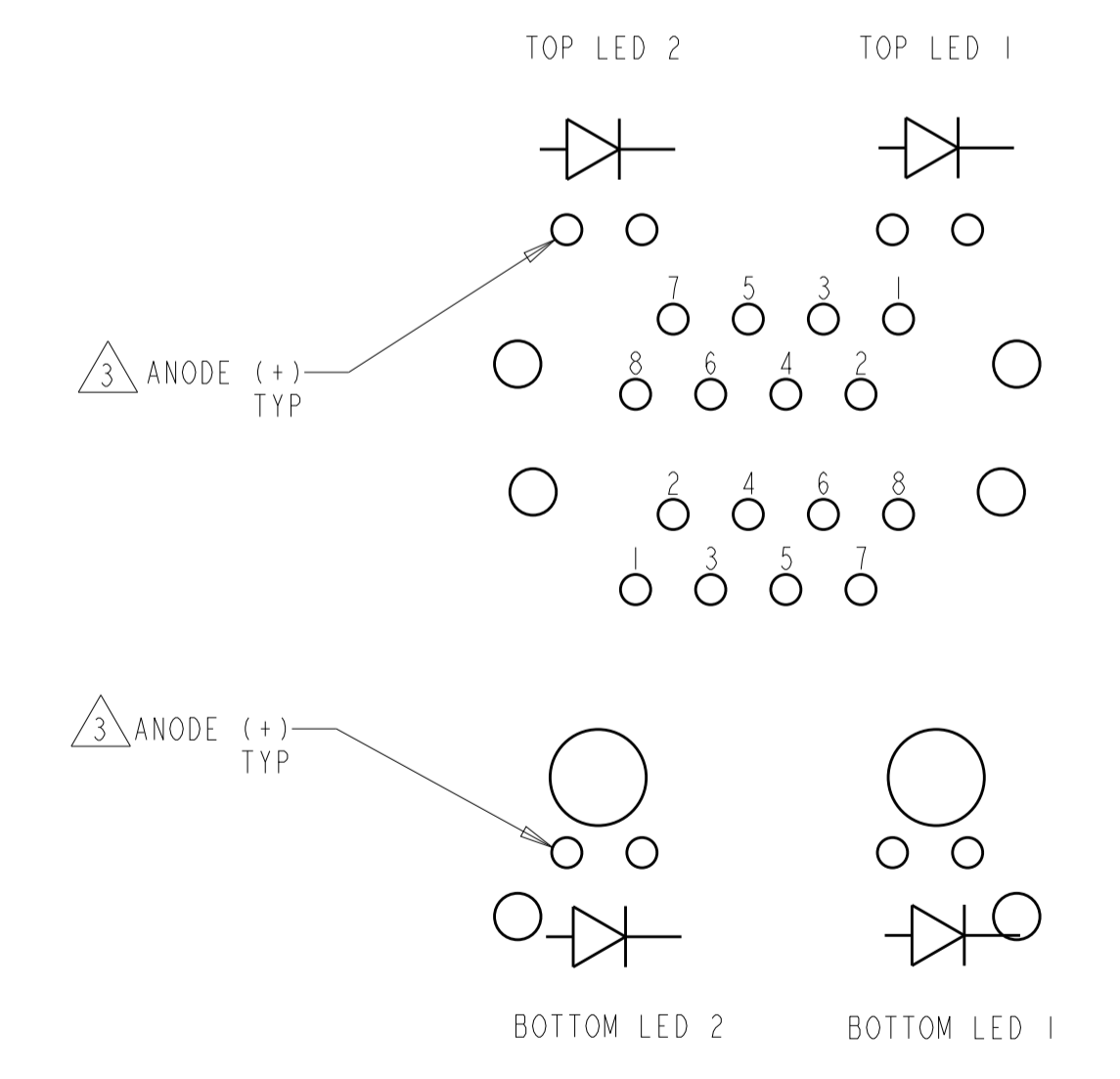
SCHEMATIC FOR 6368011-4
SCALE 4:1



SCHEMATIC FOR 6368011-7,
1-6368011-2, 1-6368011-3



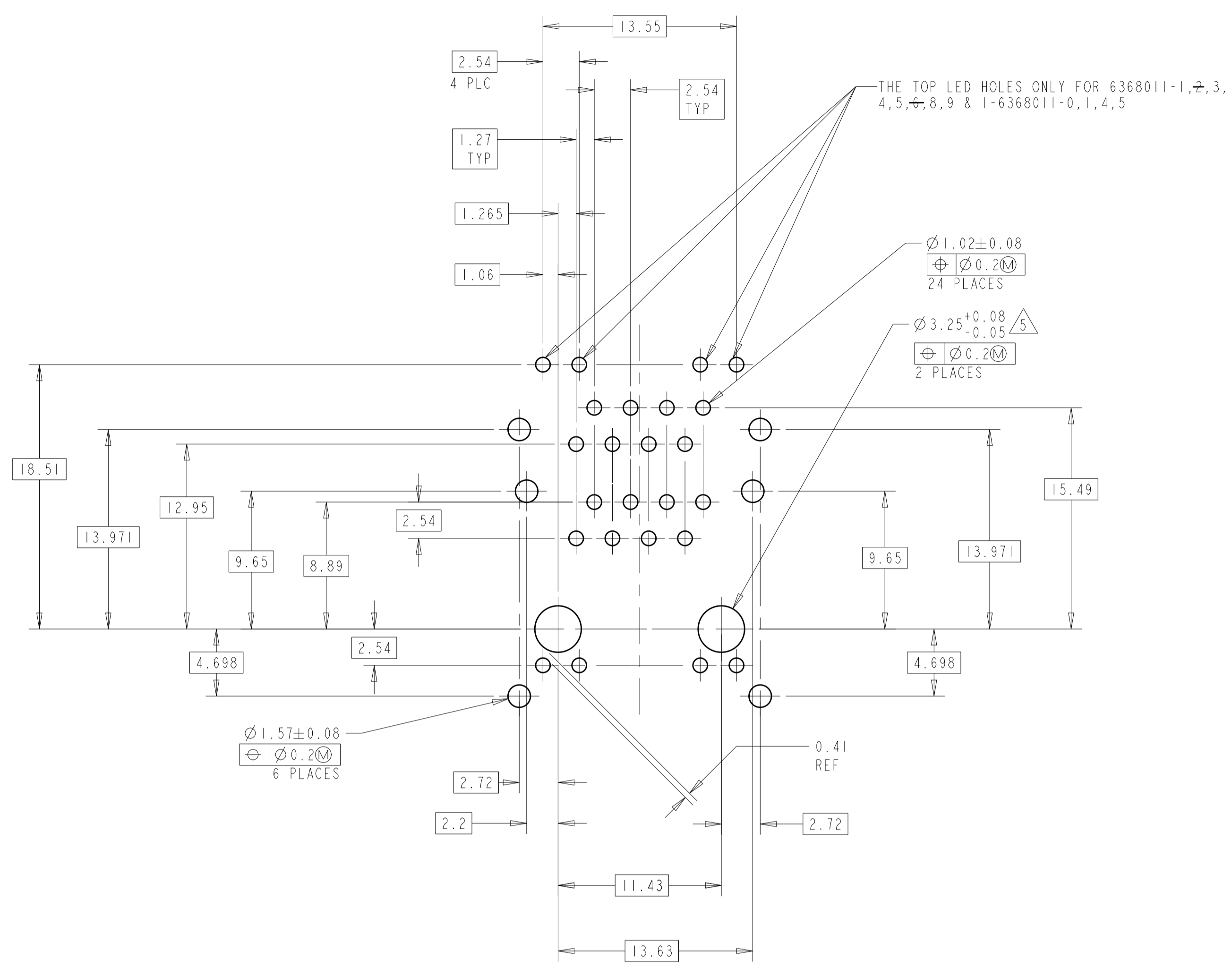
SCHEMATIC FOR 6368011-9
SCALE 4:1



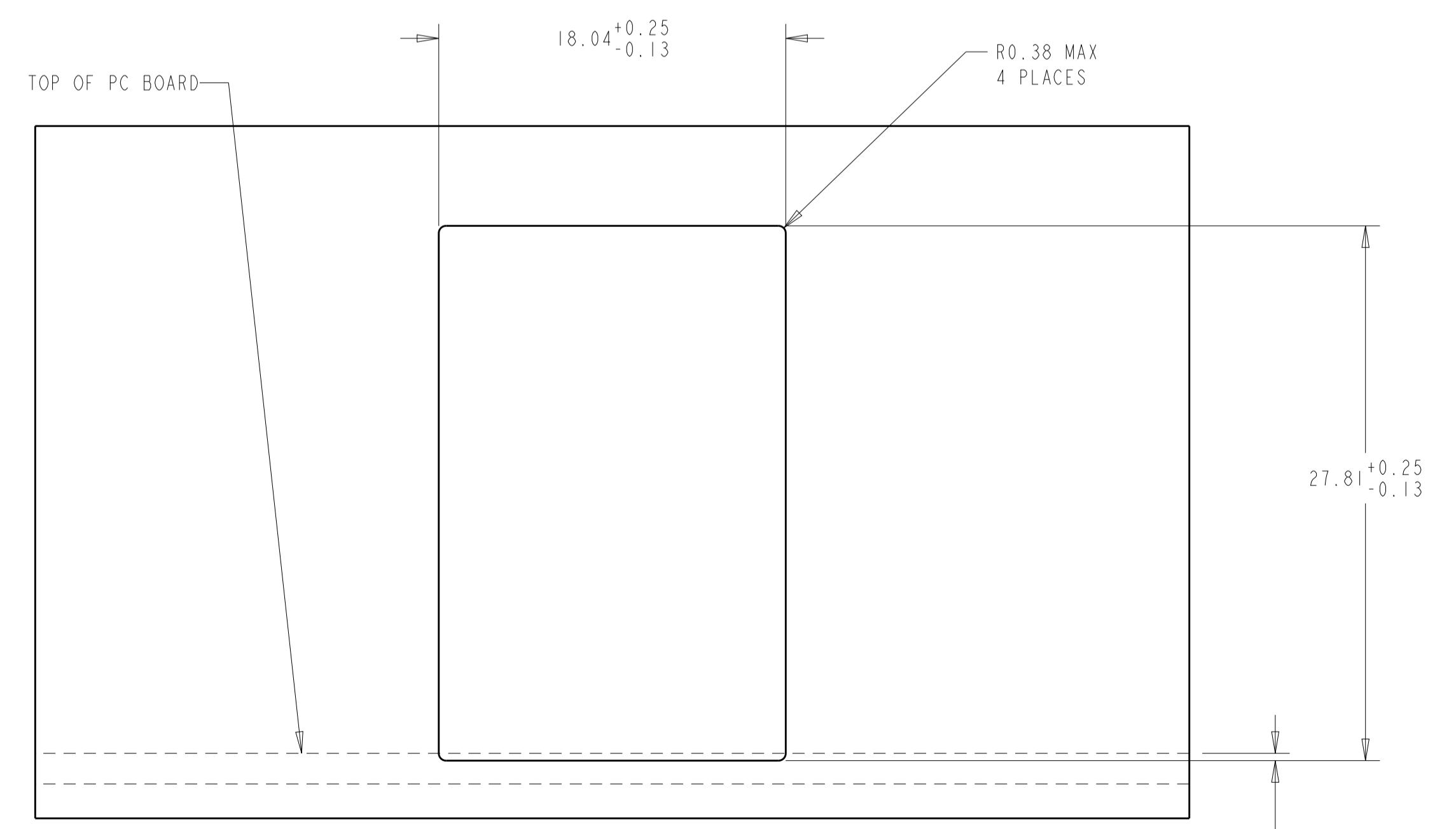
SCHEMATIC FOR 6368011-1, -2, -3, -5, -6, -8, 14
SCALE 4:1

| | | | | | |
|--|--|--|--|---|--|
| THIS DRAWING IS A CONTROLLED DOCUMENT. | | DWN: 13APR2005 CHK: VICK SLACK/J. WESTMAN 13APR2005 | TE Connectivity NAME MODULAR JACK ASSEMBLY, STACKED, 2 X 1, 8 POSITION, SHIELDED, PRODUCT SPEC 108-1163-2 APPLICATION SPEC 114-2154 | SIZE A1 CAGE CODE 00779 DRAWING NO 6368011 | RESTRICTED TO SHEET 2 OF 3 REV L |
| DIMENSIONS: mm | TOLERANCES UNLESS OTHERWISE SPECIFIED: 0 PLC ± 2 PLC ±0.25 3 PLC ±0.25 4 PLC ± ANGLES ± | APVD S. FELICKINGER PRODUCT SPEC APPLICATION SPEC WEIGHT Customer Drawing | | | |
| MATERIAL SEE NOTE 1 FINISH | | WEIGHT Customer Drawing | SCALE 4:1 | | |

| REVISIONS | | | | |
|-----------|-----|-------------|------|------|
| P. | LTN | DESCRIPTION | DATE | APVD |
| - | - | SEE SHEET 1 | - | - |
| | | | | |
| | | | | |



PC BOARD LAYOUT VIEWED FROM COMPONENT SIDE OF BOARD
 SCALE 4:1



SUGGESTED PANEL CUTOUT DIMENSIONS
 SCALE 4:1

| | | | |
|--|-------------|---|--|
| THIS DRAWING IS A CONTROLLED DOCUMENT. | | DWN: 13APR2005 Vic Slack/J. A. MATYB | TE Connectivity |
| DIMENSIONS: mm | | CHK: 13APR2005 J. WESTMAN | |
| TOLERANCES UNLESS OTHERWISE SPECIFIED: | | APVD: 13APR2005 S. FLICKINGER | NAME: MODULAR JACK ASSEMBLY, STACKED, 2 X 1, 8 POSITION, SHIELDED, |
| 0 PLC ± | 1 PLC ± | PRODUCT SPEC | SIZE: A1 |
| 2 PLC ±0.25 | 3 PLC ±0.25 | APPLICATION SPEC | CAGE CODE: 00779 |
| 4 PLC ± | ANGLES ± | WEIGHT | DRAWING NO: 6368011 |
| MATERIAL: SEE NOTE 1 | FINISH: - | Customer Drawing | RESTRICTED TO: - |
| SCALE: 4:1 | | | SHEET: 3 OF 3 |