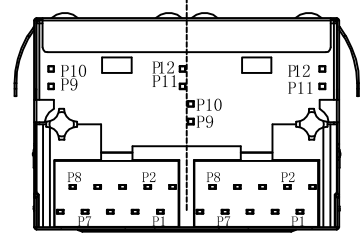
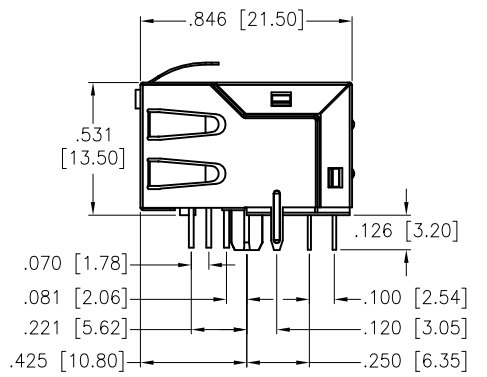
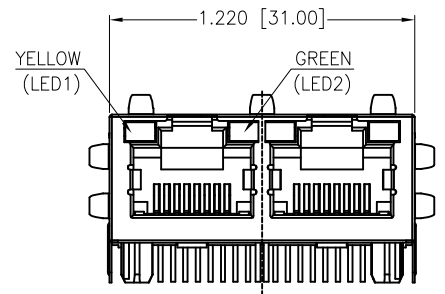
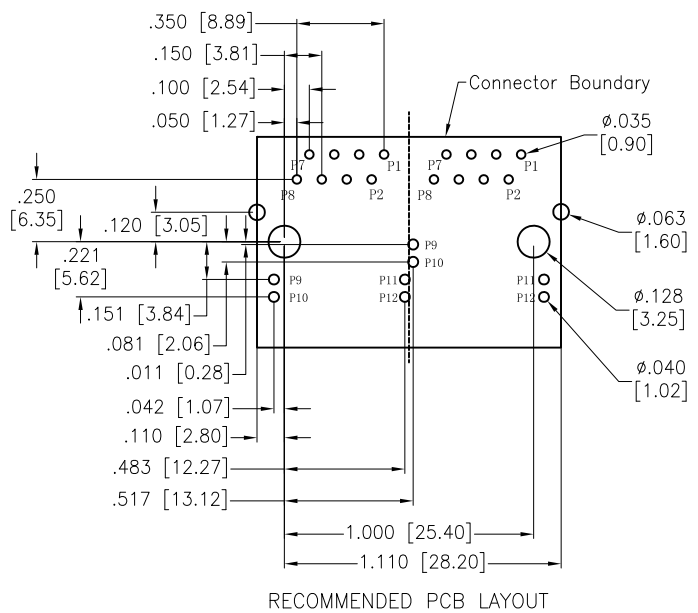


Rev	AWO #	Description	Date	Appr
-		RELEASED	11/6/17	
A		UPDATED DIP DIM.	11/20/17	HR/IC

APPROVED: _____
DATE: _____ TITLE: _____



SPECIFICATIONS:
Material:
Insulator: Thermoplastic, rated UL 94V-0
Insulator color: Black
Contacts: Copper Alloy
Shield: Brass, Nickel plated
Plating:
Round contact
Gold over Nickel underplate overall
Flat contact
Gold over Nickel underplate on contact area,
Tin over Nickel underplate on solder tails
Electrical:
Voltage rating: 150 VAC
Contact Resistance: 20 mohms max
Insulation resistance: 500 Mohms min
Dielectric withstanding voltage: 1,500VAC or 2,250VDC
Temperature Rating:
Operating temperature: -40°C to +85°C
Environmental:
Lead free, RoHS compliant.



UNLESS OTHERWISE SPECIFIED
ALL DIMENSIONS ARE INCHES [MM]
TOLERANCES: EXCEPT AS NOTED

INCHES		HOLES	
.X	\pm .10	ϕ .X	\pm .10
.XX	\pm .020	ϕ .XX	\pm .015
.XXX	\pm .015	ϕ .XXX	\pm .010

APPROVALS		DATE
DRAWN	HR	11/6/17
CHECKED	IC	11/6/17
APPROVED		

ADAM TECH
909 Rahway Avenue, Union, NJ 07083
Phone: 908-687-5000 Fax: 908-687-5710

TITLE: MODULAR JACK GANGED, 2 PORT, 8P8C,
W/ LED1 YELLOW, LED2 GREEN

SIZE	PART NO.	REV.
X	MTJG-2-88TUX1-FSD-PG-VLG-M5C	A

REF: S00005C SCALE: NTS SHEET 1 OF 2

6

5

4

3

2

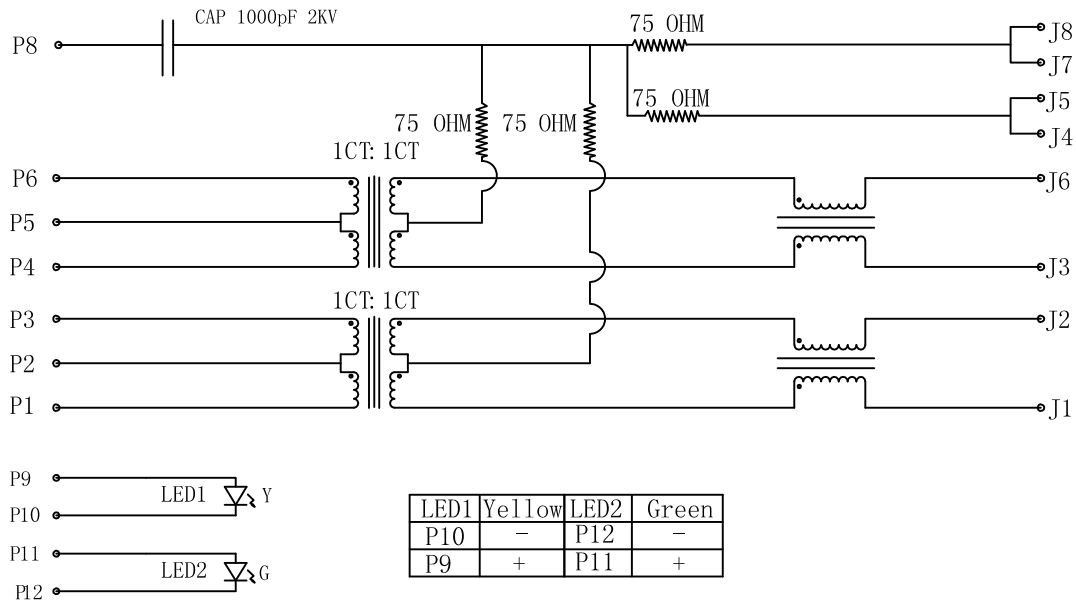
1

APPROVED: _____

DATE: _____ TITLE: _____

Rev	AWO #	Description	Date	Appr
-----	-------	-------------	------	------

SEE SHT 1 OF 2 FOR REVISION



Electrical Specifications:

- Turn Ratio @100KHz: (P1~P3):(J1~J2) = 1:1±5%
(P4~P6):(J3~J6) = 1:1±5%
- Primary Inductance: 350uH MIN @100KHZ,0.1V 8mA DC BIAS
- DC Resistance:(J1~J2):(J3~J6) 1.2 OHMS MAX
- Insertion Loss: 1-100MHz -1.2dB MAX
- Return Loss: 1-30MHz -16dB MIN
30-60MHz -12dB MIN
60-80MHz -10dB MIN
- CROSS TALK: 1-100MHz -30dB MIN
- COMMON TO COMMON MODE ATTENUATION: 1-100MHz -30dB MIN
- Isolation: PHY Side to Line Side: 1500VAC or 2250VDC

UNLESS OTHERWISE SPECIFIED
ALL DIMENSIONS ARE INCHES [MM]
TOLERANCES: EXCEPT AS NOTED

INCHES		HOLES	
.X	± .10	Ø.X	±.10
.XX	± .020	Ø.XX	±.015
.XXX	± .015	Ø.XXX	±.010

ADAM TECH

909 Rahway Avenue, Union, NJ 07083
Phone: 908-687-5000 Fax: 908-687-5710

TITLE MODULAR JACK GANGED, 2 PORT, 8P8C,
W/ LED1 YELLOW, LED2 GREEN

APPROVALS		DATE
DRAWN	HR	11/6/17
CHECKED	IC	11/6/17
APPROVED		

SIZE X	PART NO. MTJG-2-88TUX1-FSD-PG-VLG-M5C	REV. A
REF: S00005C	SCALE: NTS	SHEET 2 OF 2

6

5

4

3

2

1