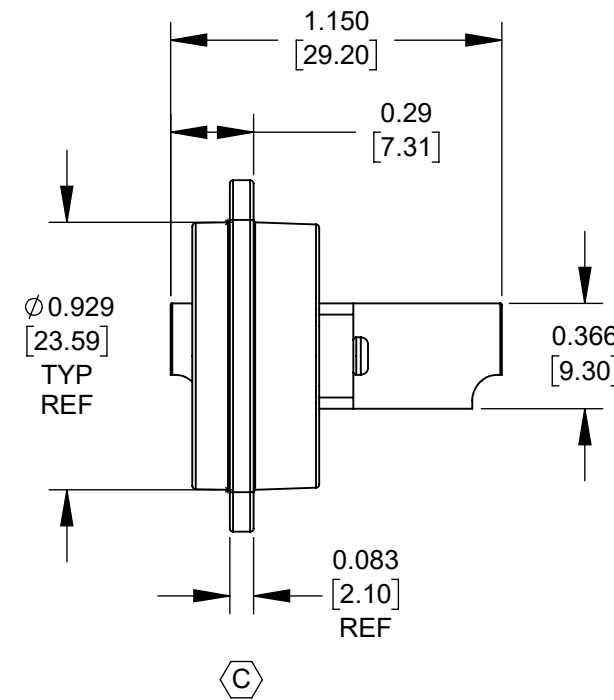
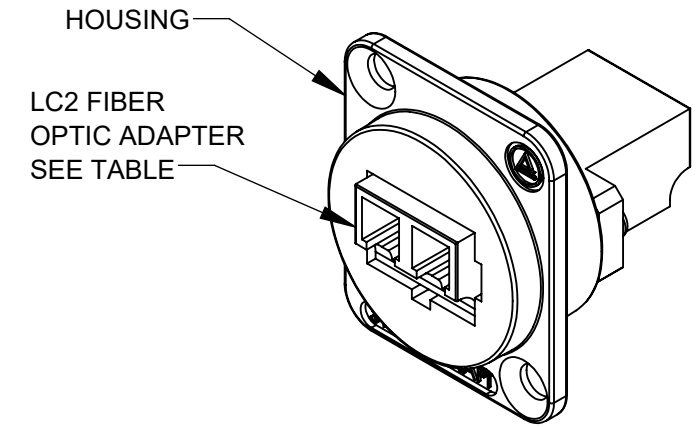
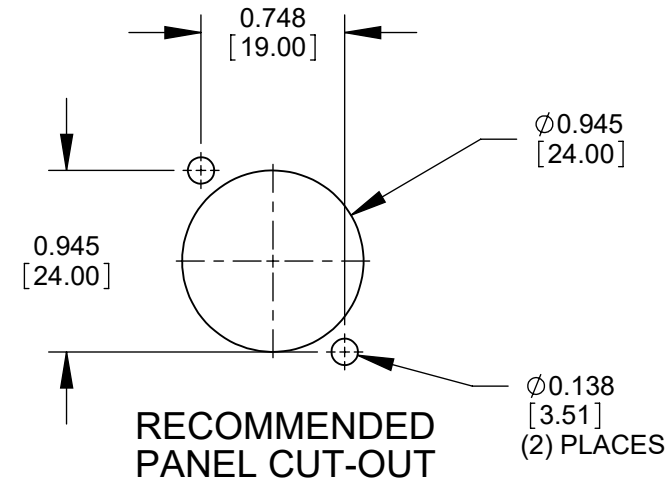
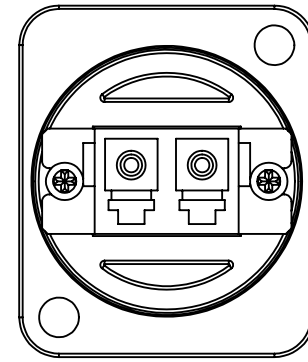
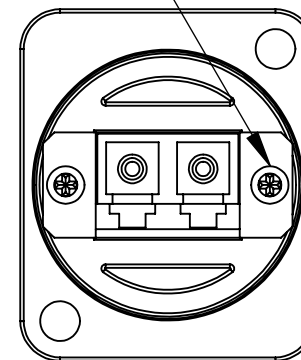


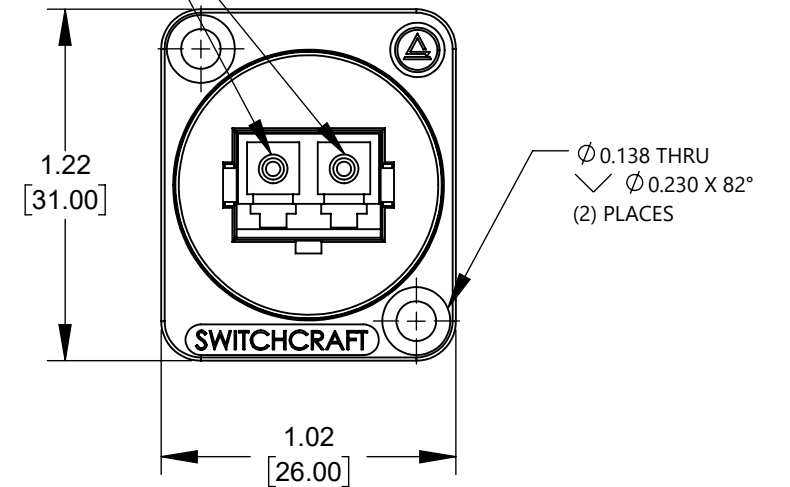
ALTERNATIVE DESIGN



ADAPTER MOUNTING SCREWS (2) PLACES



SLEEVES SEE NOTE 4



PART NUMBER	LC2 ADAPTER	ADAPTER COLOR
EHLC2	SINGLE-MODE	BLUE
EHLC2M	MULTI-MODE	BEIGE

NOTES:

- INSERTION LOSS: 0.75 dB MAX.
- OPERATION TEMP: -20°C TO +70°C.
- PRODUCT COMES WITH DUST CAPS. (NOT SHOWN)
- MATERIALS:
SLEEVE:
SINGLE-MODE - CERAMIC (ZIRCONIA)
MULTI-MODE - PHOSPHORUS BRONZE
HOUSING - DELRIN, BLACK
ADAPTER - THERMOPLASTIC
SCREWS - STEEL, NICKEL PLATED
ADAPTER MOUNTING CLIPS - STAINLESS STEEL
- FOR MOUNTING SCREWS TO BE SHIPPED WITH ASSEMBLY AND INDIVIDUALING PACKAGING, ADD SUFFIX -PKG TO PART NUMBER.
- WHEN MOUNTING ASSEMBLY, USE A SCREW TORQUE OF 10 INCH-POUNDS MAXIMUM.
- THIS PRODUCT IS RoHS COMPLIANT.

CUSTOMER DRAWING

REVISIONS					UNLESS OTHERWISE SPECIFIED					THIS DRAWING DESCRIBES A DESIGN CONSIDERED PROPRIETARY IN NATURE, DEVELOPED AND MANUFACTURED BY SWITCHCRAFT INC. AND IS RELEASED ON A CONFIDENTIAL BASIS FOR IDENTIFICATION PURPOSES ONLY.						
C	PRELIMINARY	5/10/22	CC	-	1. ALL DIMENSIONS IN INCHES - TWO PLACE DECIMALS ±0.02 - THREE PLACE DECIMALS ±0.005					SIZE *	WIDTH *	MULT *	LBS/M *	TEMPER *		
B	27239	1/3/14	TO	TJK	DO NOT SCALE DRAWING					FINISH *		MATERIAL *				
A	26348	2/27/09	RS	TJK						SPEC No. *		SCALE 1.5:1			SPEC No. *	
REV	ECO NUMBER	DATE	BY	APVD	DO NOT SCALE DRAWING					DATE DRAWN	BY	CHKD	APVD	SHEET 1 OF 1		
REVISIONS										NAME E SERIES LC TO LC FIBER OPTIC ADAPTER, RoHS						11/07/07
															REV C	