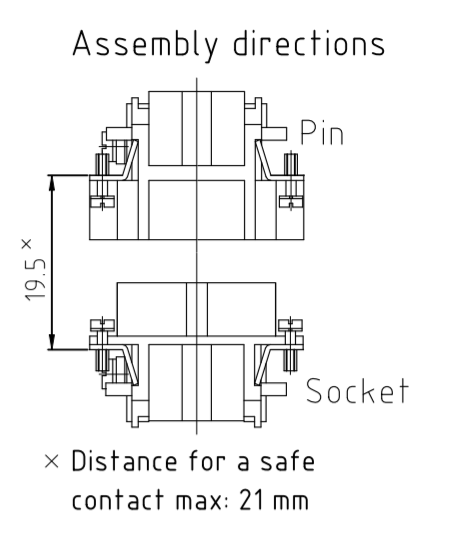
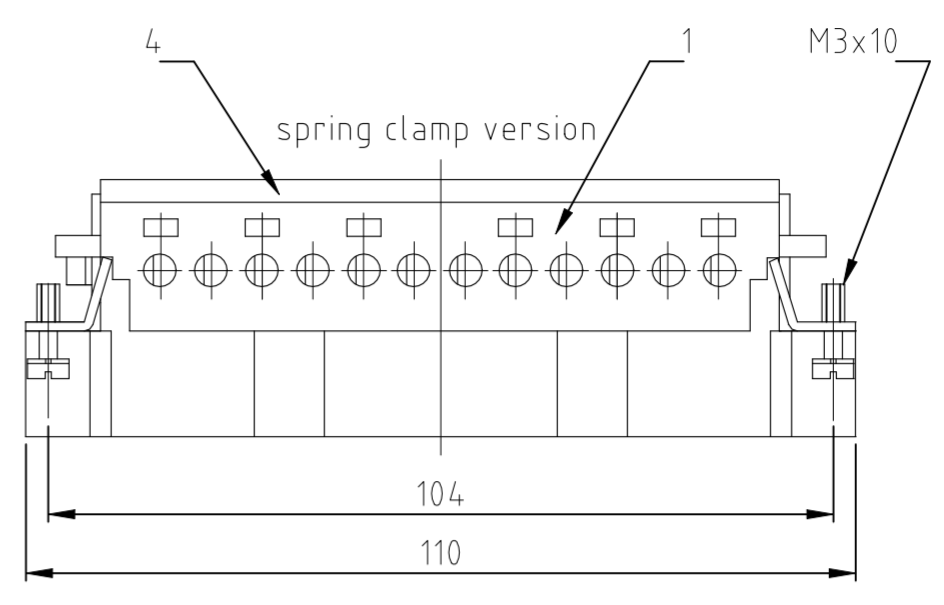
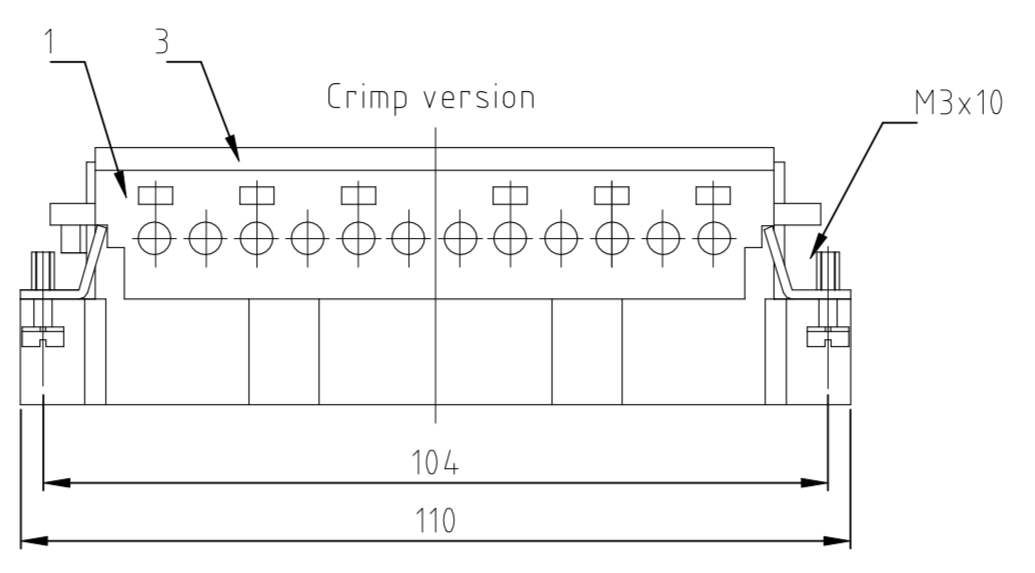
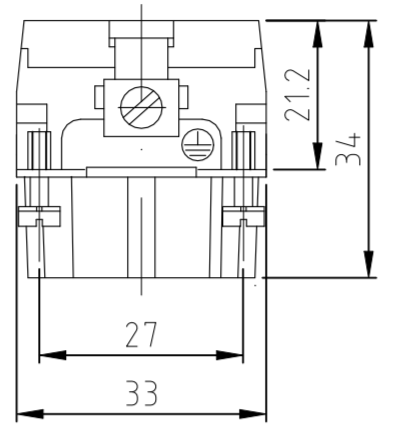
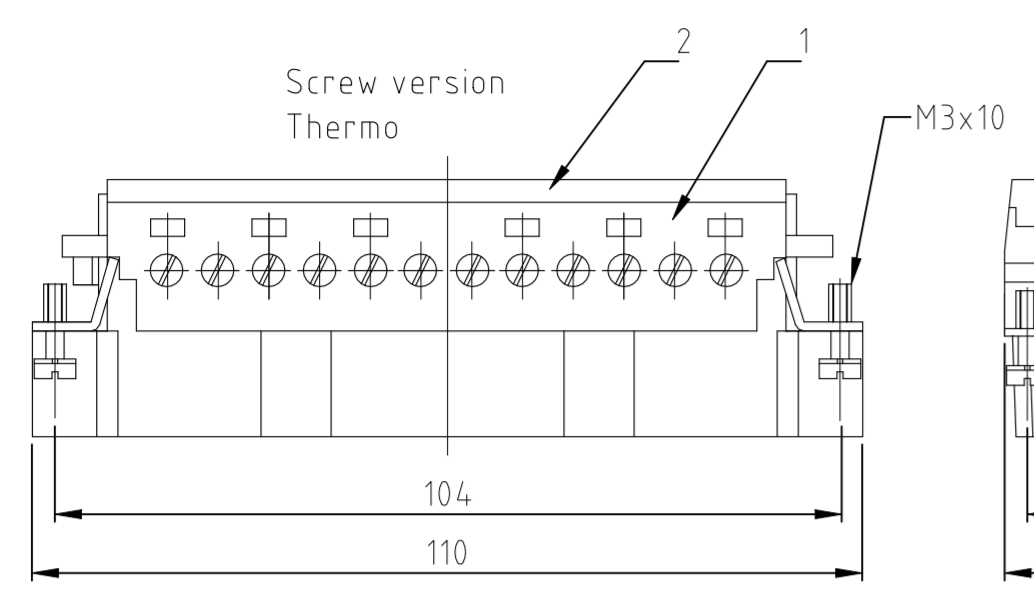
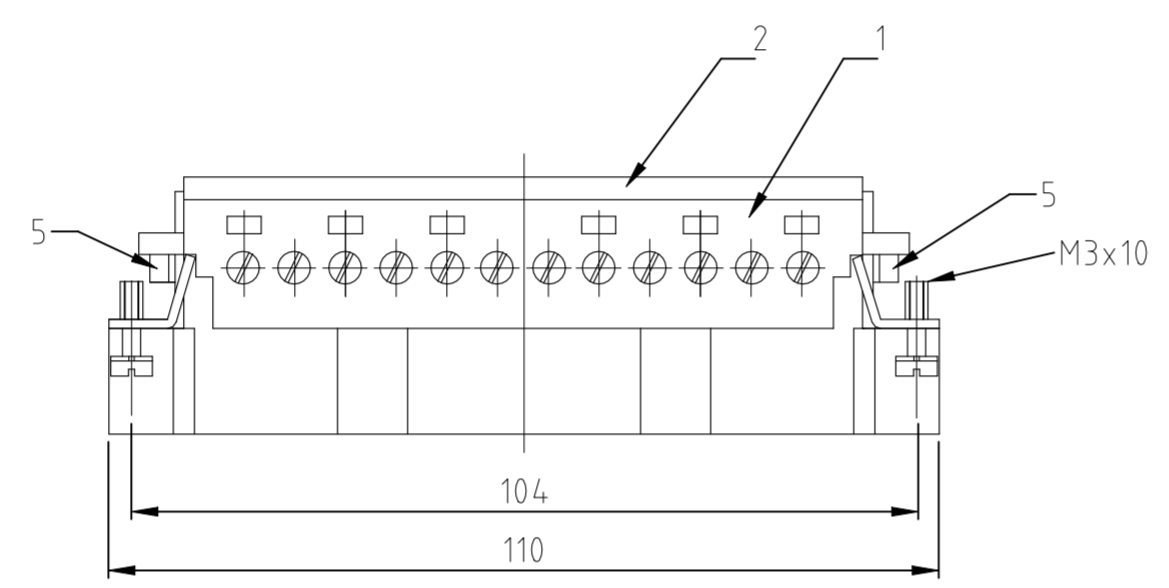
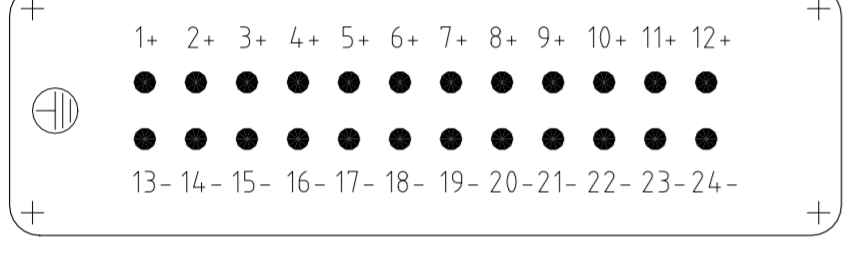


REVISIONS					
P	LTR	DESCRIPTION	DATE	DWN	APVD
E6		REVISED PER ECR-21-123503	07JUL2022	RK	JB

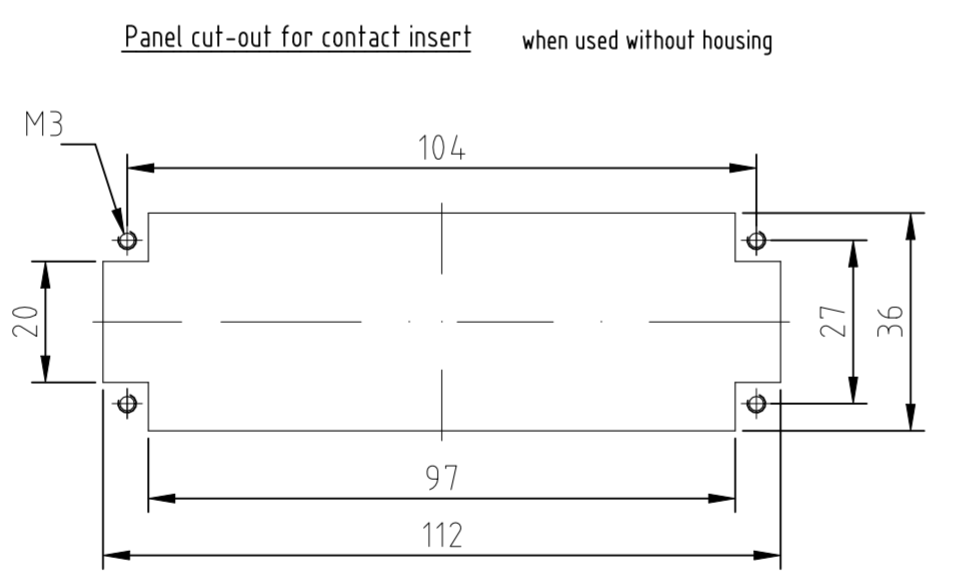
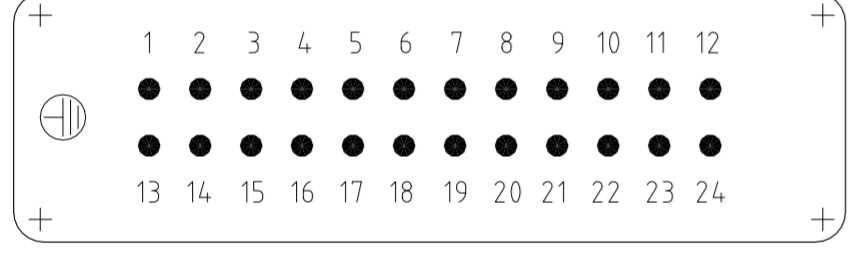


Contact arrangement view from termination side

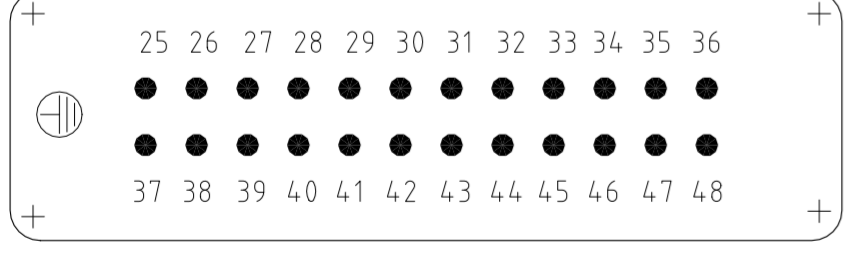
Printing 1-24 Thermo



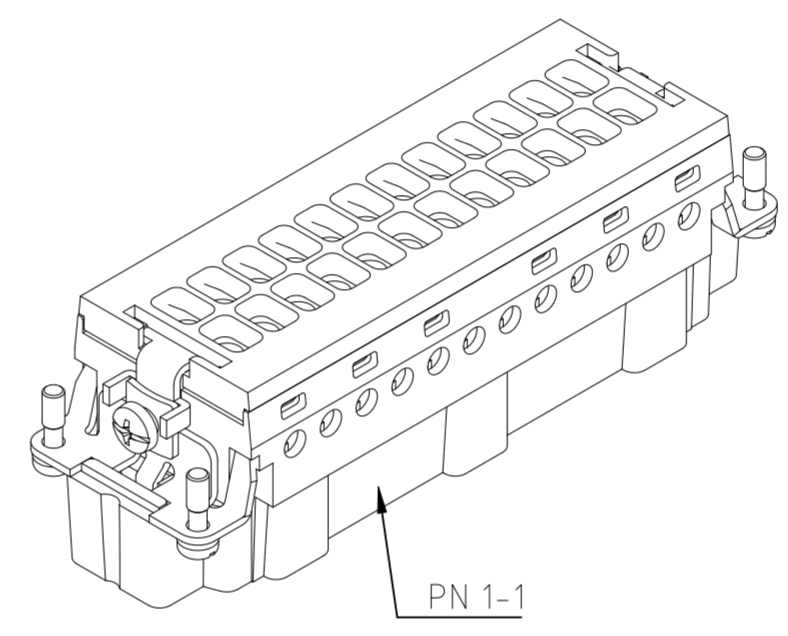
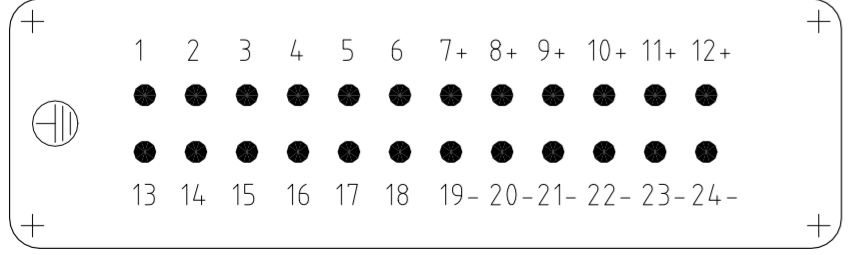
Printing 1-24 Screw



Printing 25-48 Screw



Printing 12+6+6 Screw/Thermo



NOTES:

- SUITABLE CRIMP CONTACTS: SERIES HE/HA  
OUTER DIMENSIONS OF INSULATION: MAX. Ø3,2 MM
  - SUITABLE HOOD SIZE 8; 12: SERIES HB; HD; HIP; EMV  
SUITABLE INSERTION AND EXTRACTION TOOL:  
SCREWDRIVER 0,5x3 DIN 5264
  - Strip length: Screw connection 10mm  
Spring clamp connection 10mm Crimp connection 7.5mm
  - STANDARDS:  
DIN EN 61984; DIN EN 60664-1
- △ PACKAGING:  
5 SETS IN A CARTON, PRE-MOUNTED
- △ SPECIAL PACKAGING: Krauss-Maffei  
PACKAGING UNIT: 220 PIECES

ITEM NO. POS.	DESCRIPTION	MATERIAL	COLOR / FARBE	ITEM NO. POS.	NOTES
2	cylinder screw	steel	blue	5	M4x6
1	cover spring clamp version		light grey	4	
1	cover crimp version		light grey	3	
1	cover screw version		light grey	2	
1	pin insert		light grey	1	

DESCRIPTION	MATERIAL	COLOR / FARBE	ITEM NO. POS.	NOTES
THIS DRAWING IS A CONTROLLED DOCUMENT.				
DIMENSIONS: mm		TOLERANCES UNLESS OTHERWISE SPECIFIED:		
		0 PLC ±0.1 1 PLC ±0.1 2 PLC ±0.1 3 PLC ±0.1 4 PLC ±0.1 ANGLES ±0.5		
MATERIAL		FINISH		
CUSTOMER DRAWING		SCALE 1:1 SHEET 1 of 1 REV E6		

DWN Schneider 08.02.2000

CHK Schweizer 08.02.2000

APVD

PRODUCT SPEC

APPLICATION SPEC

WEIGHT

Male insert  
HE.24.STI.S/C

SIZE A2 CAGE CODE 00779 DRAWING NO C=1103640

RESTRICTED TO

1103640