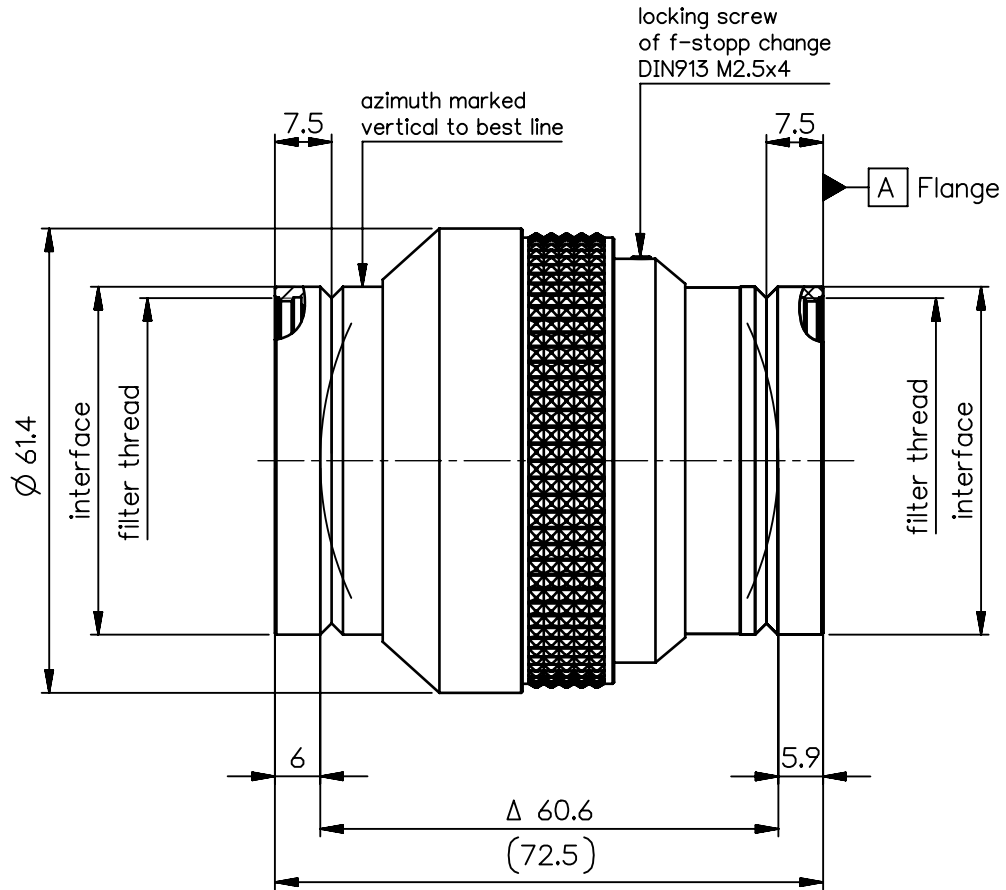


order number	lens name
0703-085-000-20	inspec.x L 5.6/105 -0.33x

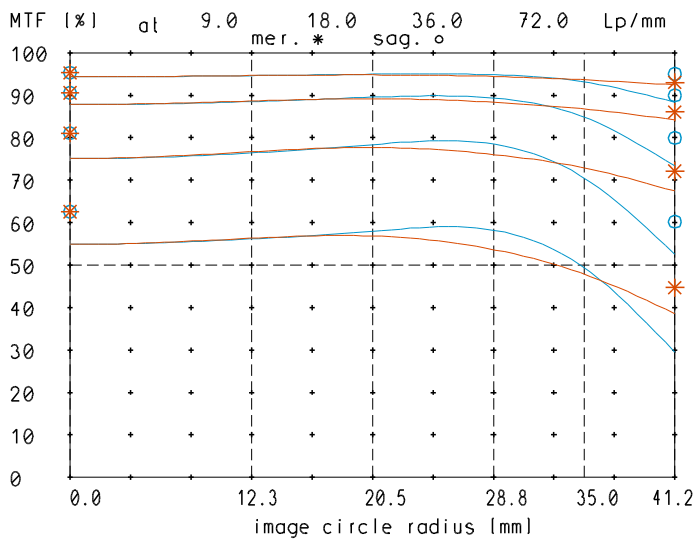


Specification		ON	7608-9045	
image circle max. (mm)	82	working distance (mm)	300 - 488	
focal length f' (mm)	105.4	interface	V-groove $\varnothing 46$ h7	
magnification β' [range]	-0.33 [-0.45 ... -0.25]	filter thread	M43 x0.75	
spectral range λ (nm)	400 - 750	weight (g)	370	
schematic diagram		design includes CCD cover glass: yes 0.76mm D263		
*) in air		SF (mm)	-72.0	f-stop
		S'F' (mm) *)	70.5	\varnothing EnP
		HH' (mm) *)	-7.6	\varnothing Exp
		SH (mm)	33.4	
		S'H' (mm) *)	-34.9	
		S'EnP (mm)	41.9	
		S'Exp (mm) *)	-27.0	

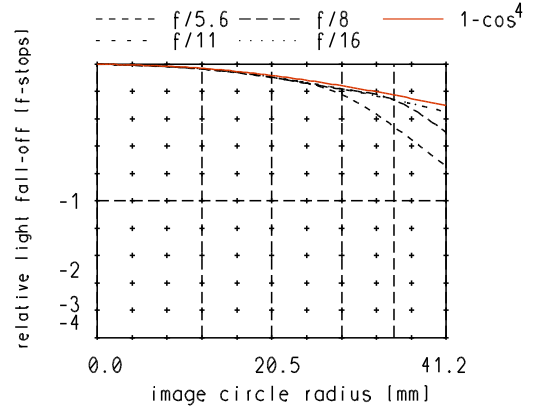
NX PROTECTIVE NOTE "DIN ISO 16016" TO BE OBSERVED	EU-D	AL-T1A	US-D	US-ML	not export controlled	
	REV	ECC	DATE	APPROVED	PDM Status	
	a	Neuausg	19.08.14	Schiffe	Freigabe	-
	b	15-0640	31.07.15	Bo II		
GENERAL TOLERANCE OF DIMENSION, FORM, POS.				SCALE	1:1	
BASIC TOLERANCING PRINCIPLE				TITLE		
				inspec.x L 5.6/105 -0.33x		
FIRST DATE NAME				DRAWING NO.		
ISSUE 19.08.14 Schifferer				0703-085-100-00-0001b		
CHKD 19.08.14 Stauder				REPLACES		
				SHEET 1 OF 1		
ALL DIMENSIONS ARE IN MM AND INCLUDE SURFACE TREATMENT						

Inspec.x_L_5.6/105_0.33x

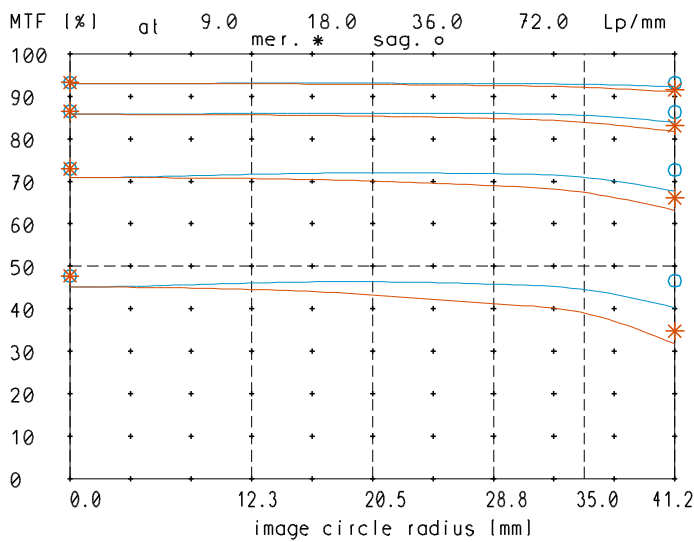
MTF at ratio 0.33x f/ 5.6



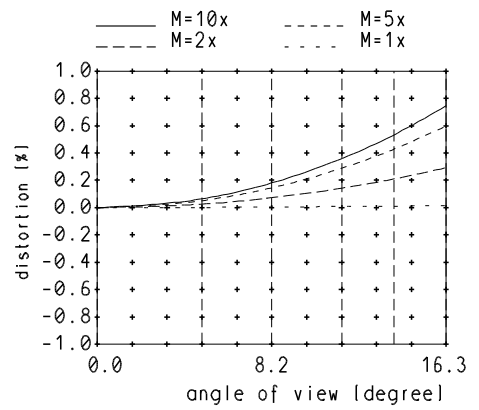
relative light fall-off at ratio 0.33x



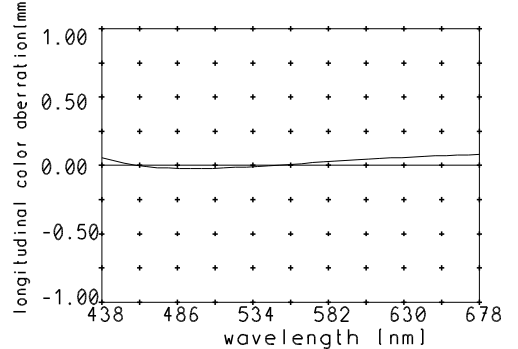
MTF at ratio 0.33x f/ 8



Distortion at ratio 10x to 1x



Longitudinal color aberration at ratio 0.33x



— sagittal, o Diffraction limited value
 — meridional* Diffraction limited value

Named frequencies (line pairs/mm) in modular transfer function (MTF) as well as diagrams of relative light fall-off, distortion and longitudinal color aberration refer to film plane.