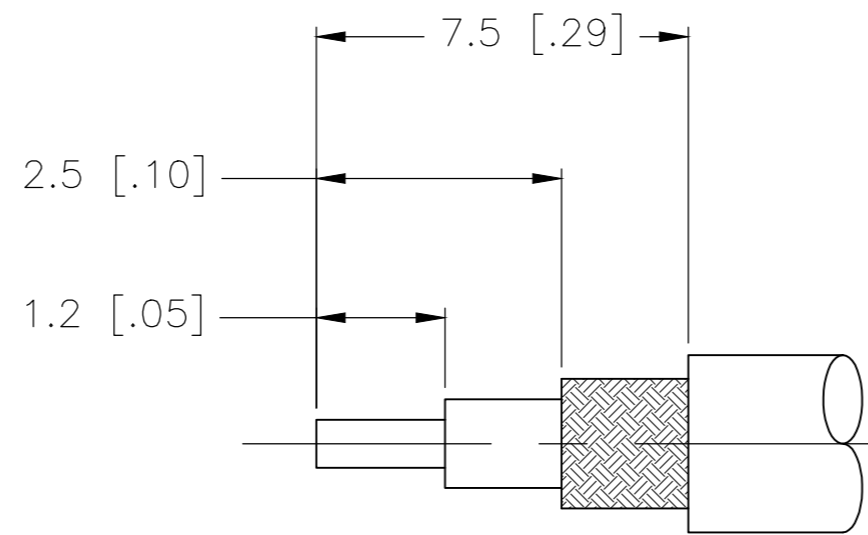
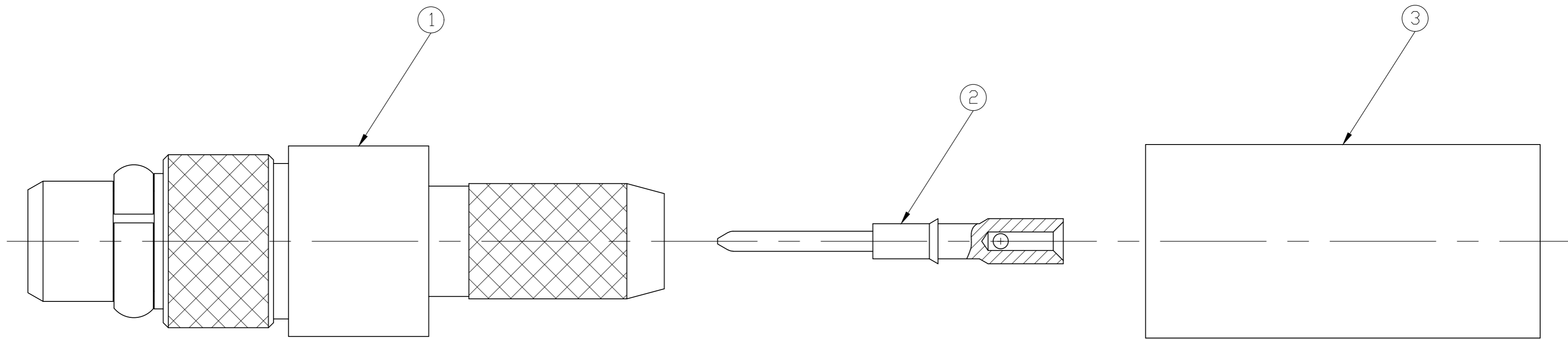


THIS DRAWING IS UNPUBLISHED. RELEASED FOR PUBLICATION
 © COPYRIGHT - TE Connectivity Ltd. ALL RIGHTS RESERVED.

REVISIONS				
P	LTR	DESCRIPTION	DATE	APVD
C1		ECO-15-013027	25JUN2018	RZ RS



RECOMMENDED CABLE STRIP LENGTH (NTS)

1. ITEMS 1, 2, AND 3 PACKAGED UNASSEMBLED

② CRIMP REQUIREMENTS: CENTER CONTACT .70 [.028] SQUARE

③ CRIMP REQUIREMENTS: FERRULE 3.25 [.128] HEX

④ CRIMP REQUIREMENTS: FERRULE 3.86 [.152] HEX

	RD-316	3-413889-2	1408215-4	1408317-1	1408312-2
Obsolete	RG-316	3-413889-1	1408215-4	1408317-1	1408312-1
	CABLE CRIMP INFO	FERRULE	CONTACT	PLUG ASSY	PART NUMBER

THIS DRAWING IS A CONTROLLED DOCUMENT.		DWN RMF 01OCT01	TE Connectivity Ltd. NAME: MMCX STRAIGHT CABLE PLUG		
DIMENSIONS: mm		CHK RMF 02OCT01			
TOLERANCES UNLESS OTHERWISE SPECIFIED: 0 PLC ± - 1 PLC ± 0.1 [.004] 2 PLC ± 0.05 [.002] 3 PLC ± - 4 PLC ± - ANGLES ± 1°		APVD RMF 02OCT01			
MATERIAL: -		FINISH: -			
PRODUCT SPEC: 108-2084		APPLICATION SPEC: 408-8626	SIZE: A2	CAGE CODE: 00779	DRAWING NO: C=1408312
WEIGHT: 0.000000		CUSTOMER DRAWING	SCALE: 15:1	SHEET: 1 of 1	REV: C1