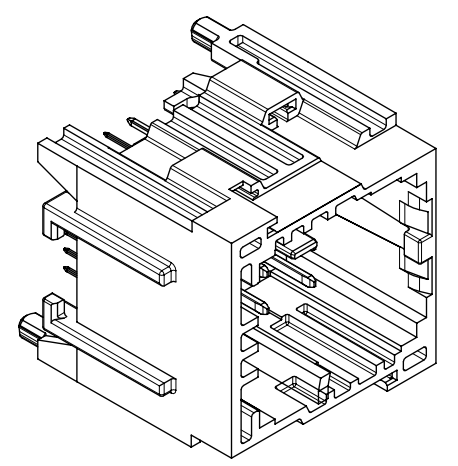


KEY 1
PART NO. 2005010271

SEE NOTE 3g

PART NUMBER	KEY	COLOR	TERMINAL QUANTITIES	
			0.5mm	1.2mm
2005010271	1	BLACK	19	8
2005010272	2	GREEN		
2005010273	3	BLUE		
2005010274	4	PURPLE		

FOUR (4) KEYS AVAILABLE
SEE INTERFACE DRAWING
SD-160029-002 FOR DEFINITION



- NOTES: VALID UNLESS OTHERWISE SPECIFIED
- GENERAL:
 - APPLICATION SPECIFICATION 2005060000-AS
 - PRODUCT SPECIFICATION 2005060001-PS
CLASSIFICATIONS T1V1S1 TO GMW 3191 2012
DEGREE OF PROTECTION IP40 TO ISO 20653 WITH MOLEX MATING CONNECTOR
 - PACKAGING SPECIFICATION PER MOLEX DRAWING

- DESIGN - MATERIALS:
 - HOUSING: SPS 30% GF
 - BLADE TERMINALS:
 - 0.5MM BLADES
BASE MATERIAL: COPPER ALLOY
CONDUCTIVITY ≥ 28% IACS @ 20°C
UNDERPLATE: OVERALL NICKEL
OVERPLATE: OVERALL TIN
 - 1.2MM BLADES
BASE MATERIAL: COPPER ALLOY
CONDUCTIVITY ≥ 28% IACS @ 20°C
UNDERPLATE: OVERALL NICKEL
OVERPLATE: OVERALL TIN

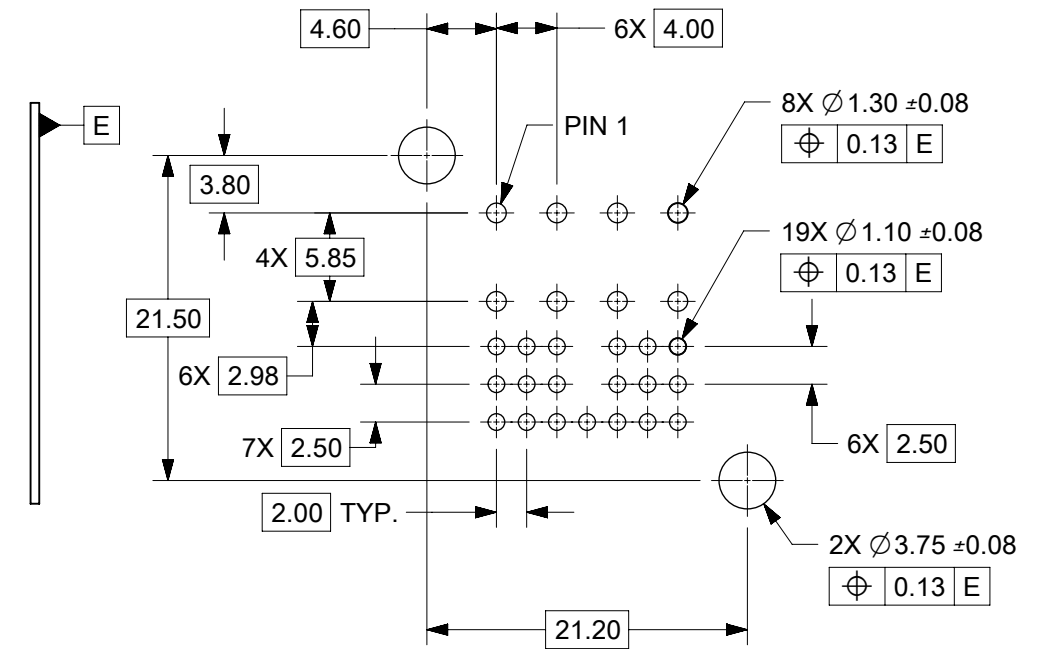
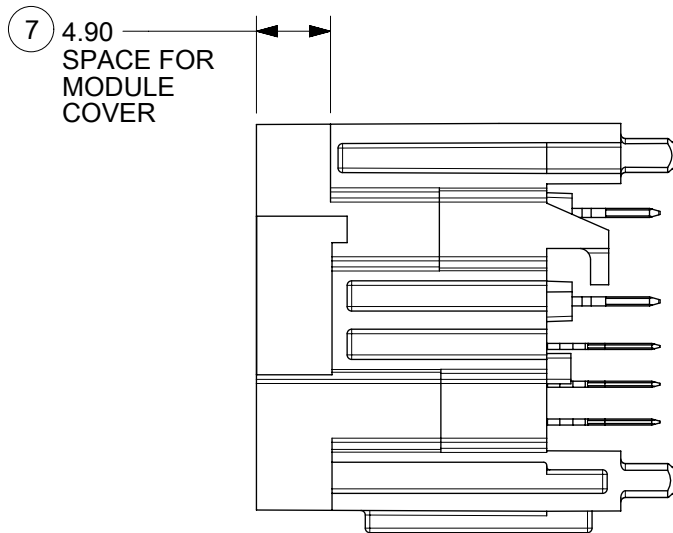
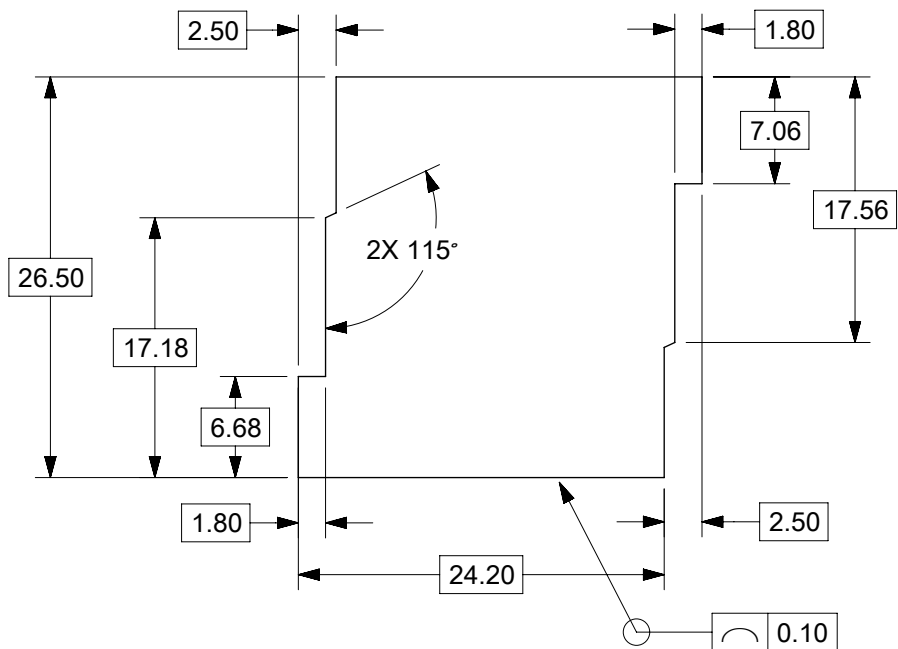
- DESIGN - GEOMETRY:
 - ALL GRAPHIC DATA IS BASIC (NO TOLERANCE) AND MUST BE TAKEN FROM THE DATA FILE AT ITS LATEST REVISION.
 - PRODUCT DESIGN MODEL NUMBER 2005010270
 - GEOMETRIC DIMENSIONS AND TOLERANCES PER ASME Y14.5-2009
 - EDGES AND UNDIMENSIONED DETAILS PER ISO13715
 - CORNERS SHOWN AS SHARP TO BE R 0.4 MAX.
 - LETTERING SHALL BE MAX POSSIBLE FOR READABILITY.
THIS INCLUDES RECYCLING CODE, CAVITY ID, VENDOR IDENTIFICATION, AND CUSTOMER MATERIAL NUMBER.
 - FOR BAY/POCKET DEFINITION SEE MOLEX INTERFACE DRAWING SD-160029-002
 - MATING HARNESS CONNECTORS MOLEX PN:
1600290001 (KEY 1)
1600290002 (KEY 2)
1600290003 (KEY 3)
1600290004 (KEY 4)

- DESIGN - MANUFACTURING:
 - VISUAL DEFECTS SHALL MEET COSMETIC STANDARD PS-45499-002 (CLASS B)
 - REFLOW SOLDERABILITY PER SMES-152

INSPECTION BALLOON NUMBER LOG
PER DRAWING REVISION: C1
LAST BALLOON NUMBER: 11B
ADDED BALLOON NUMBER: NONE
DELETED BALLOON NUMBER: NONE

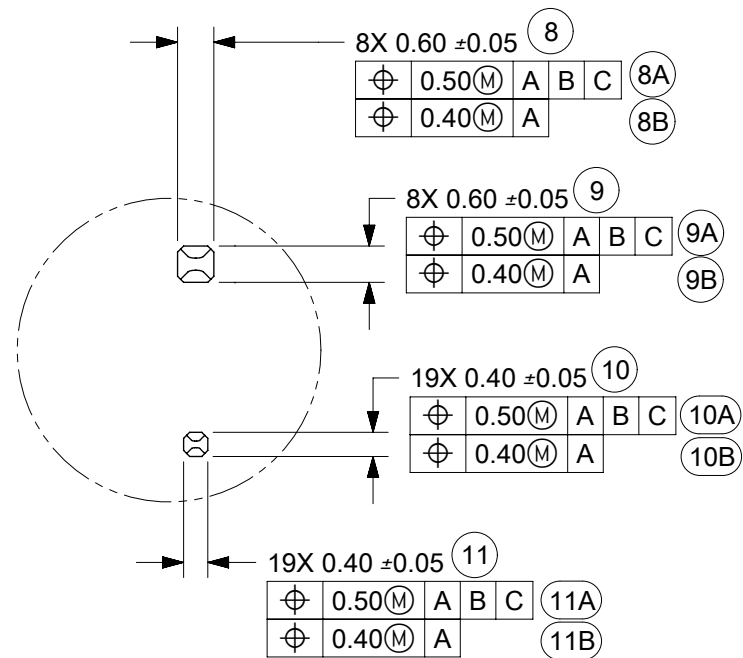
FUNCTIONAL SYMBOLS		THIS DRAWING CONTAINS INFORMATION THAT IS PROPRIETARY TO MOLEX ELECTRONIC TECHNOLOGIES, LLC AND SHOULD NOT BE USED WITHOUT WRITTEN PERMISSION			
$\nabla = 0$ $\nabla = 0$ $\nabla = 0$	DIMENSION UNITS mm	SCALE 2:1	CURRENT REV DESC: SEE REVISION SHEET		
DIVISIONAL SYMBOLS		GENERAL TOLERANCES (UNLESS SPECIFIED) ANGULAR TOL ± °		PRODUCT CUSTOMER DRAWING	
		EC NO: 639277 DRWN: YPENG47 CHK'D: JRUTTER APPR: JCONDON		DOCUMENT NUMBER 2005011270SD	
		INITIAL REVISION: DRWN: JRUTTER APPR: RBAUMAN		DOC TYPE DOC PART REVISION PSD 000 C1	
		DRAFT WHERE APPLICABLE MUST REMAIN WITHIN DIMENSIONS		SHEET NUMBER 1 OF 2	
		THIRD ANGLE PROJECTION 		MATERIAL NUMBER CUSTOMER	
		DRAWING SERIES B-SIZE 200501			

RECOMMENDED MODULE OPENING
TO PASS ISO 20653 IP40



PCB LAYOUT
FOR REFERENCE

FOR SINGLE-BAY HEADER ONLY
FOR MULTIPLE-BAY STACKED HEADER SEE DRAWING 2005050000



DETAIL A
SCALE 8:1

C1	ADDED PCB HOLE DIMENSIONAL & POSITIONAL TOLERANCE 10-JUNE-2020 YPENG47 ECN:639277
REVISION	DESCRIPTION

FUNCTIONAL SYMBOLS	THIS DRAWING CONTAINS INFORMATION THAT IS PROPRIETARY TO MOLEX ELECTRONIC TECHNOLOGIES, LLC AND SHOULD NOT BE USED WITHOUT WRITTEN PERMISSION		CURRENT REV DESC: SEE REVISION SHEET		molex
	DIMENSION UNITS	SCALE	EC NO: 639277		
$\nabla_A = 0$	mm	1:1	DRWN: YPENG47 2020/02/17		PRODUCT CUSTOMER DRAWING
$\nabla_B = 0$	GENERAL TOLERANCES (UNLESS SPECIFIED)		CHK'D: JRUTTER 2020/06/22		
$\nabla_C = 0$	ANGULAR TOL ± °		APPR: JCONDON 2020/06/23		DOCUMENT NUMBER
DIVISIONAL SYMBOLS	4 PLACES ± 0.0	3 PLACES ± 0.0	INITIAL REVISION:		2005011270SD
	2 PLACES ± 0.13	1 PLACE ± 0.25	DRWN: JRUTTER 2015/07/22		PSD 000 C1
	0 PLACES ± 0.0	APPR: RBAUMAN 2016/08/22		MATERIAL NUMBER	2 OF 2
DRAFT WHERE APPLICABLE MUST REMAIN WITHIN DIMENSIONS		THIRD ANGLE PROJECTION	DRAWING	SERIES	SHEET NUMBER
			B-SIZE	200501	