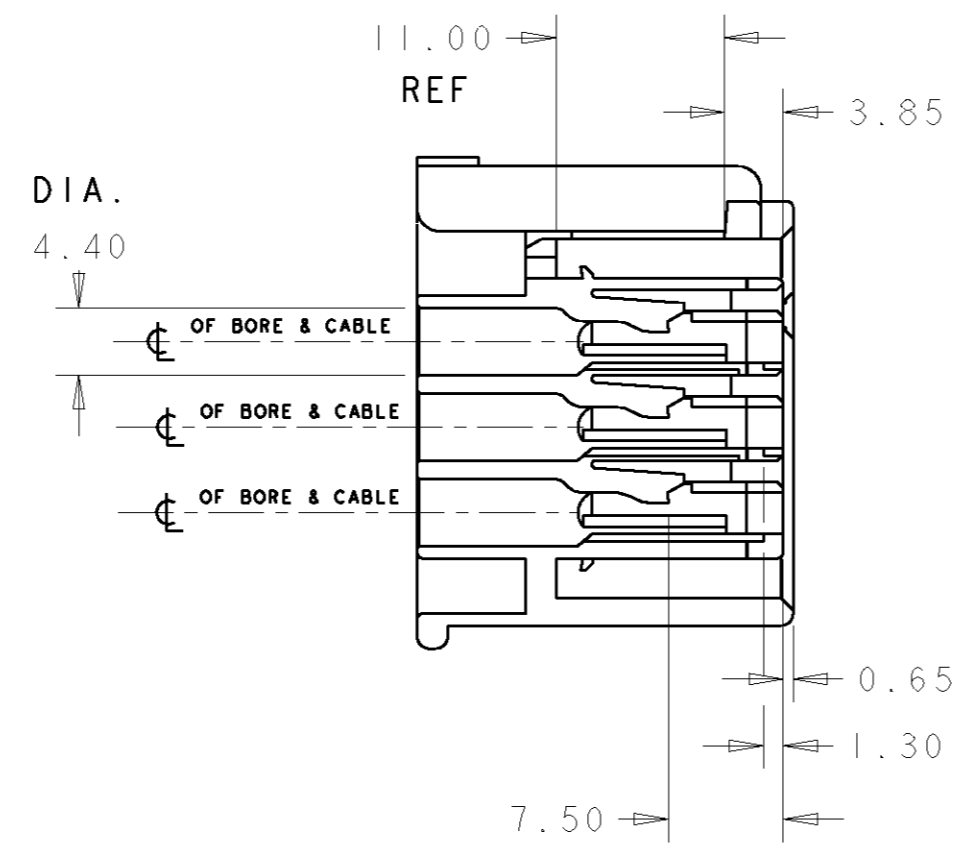
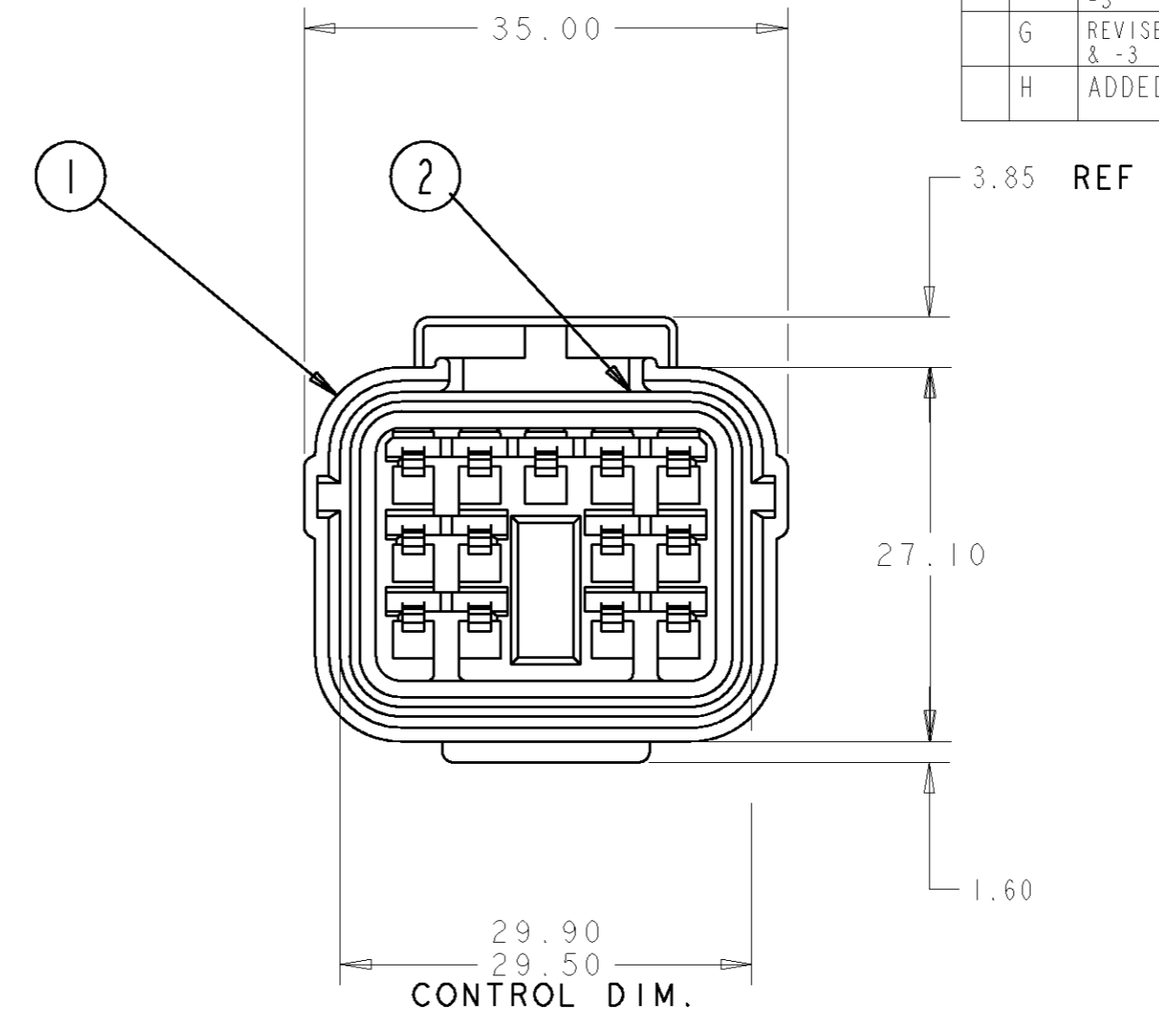
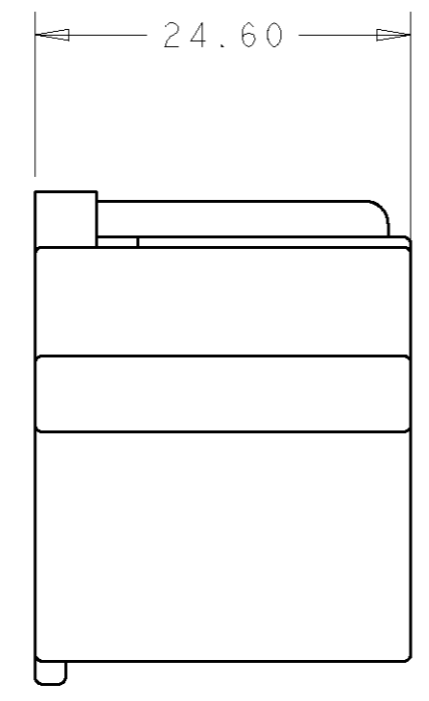
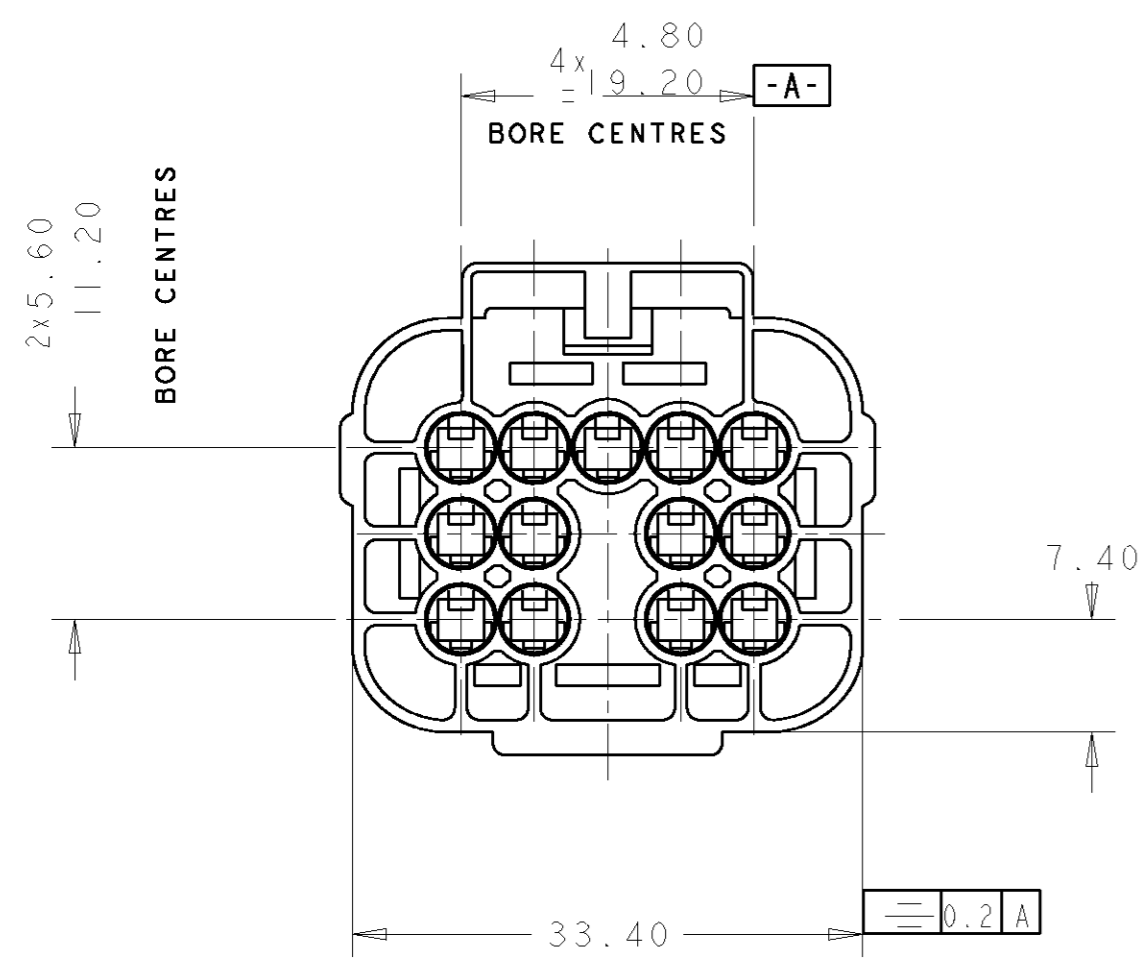


© COPYRIGHT 19 BY AMP INCORPORATED. ALL RIGHTS RESERVED.

REVISIONS					
P	LTR	DESCRIPTION	DATE	DWN	APVD
J		ECR-06-005804	10/3/06	RS	MH
A		UPDATED	29/7/88		
B		ADDED -2 AND CONTROL DIM	29/9/89		
C		ADDED -3 (BLUES)	15/1/91		
D		PER SEAL MOD.	9/5/94		
E		ADDED 1-344263-1,-2 -3	4/1/95		
G		REVISED 1-344263-1,-2 & -3	05/11/97		
H		ADDED -4 (RED)	25.9.02	JM	BB



NOTE FOR DASH VARIANTS SEE SHEET TWO

SCRAP VIEW (SEAL NOT SHOWN)

THIS DRAWING IS A CONTROLLED DOCUMENT FOR AMP INCORPORATED. IT IS SUBJECT TO CHANGE AND THE CONTROLLING ENGINEERING ORGANIZATION SHOULD BE CONTACTED FOR THE LATEST REVISION.		DWN R.S. 4/11/87	AMP	AMP of Great Britain Ltd, Stanmore, Middlesex, HA7 4RS.	
DIMENSIONS IN m.m		CHK R.R. -		NAME 13 WAY REC. HSG. ASSY. ECONOSEAL 3 LOW CURRENT	
TOLERANCES UNLESS OTHERWISE SPECIFIED: LINEAR: - ±0.5 ANGULAR: - ±1°		APVD B.J. -	SIZE A2		
THIRD ANGLE PROJECTION		PRODUCT SPEC -	CAGE CODE 00779		
MATERIAL -		APPLICATION SPEC -	DRAWING NO. C344263		
FINISH -		WEIGHT -	SCALE 2:1		
		CUSTOMER DRAWING	SHEET 1 OF 2 REV J		

LOC		DIST		REVISIONS			
P	LTR	DESCRIPTION	DATE	DWN	APVD		
-		SEE SHEET ONE	-	-	-		

ITEM NO.	MATERIAL	PART NO. OR COLOUR	DESCRIPTION	QTY. PER. ASSY.	ASSEMBLY PART NO.
1	NYLON 66	344262-1	13 WAY REC. HSG.	1	344263-1 (BLACK)
2	SILICONE RUBBER	ORANGE	PERIPHERAL SEAL	1	
1	NYLON 66	344262-2	13 WAY REC. HSG.	1	344263-2 (WHITE)
2	SILICONE RUBBER	ORANGE	PERIPHERAL SEAL	1	
1	NYLON 66	344262-3	13 WAY REC. HSG.	1	344263-3 (BLUE)
2	SILICONE RUBBER	ORANGE	PERIPHERAL SEAL	1	
1	NYLON 66	344262-4	13 WAY REC. HSG.	1	344263-4 (RED)
2	SILICONE RUBBER	ORANGE	PERIPHERAL SEAL	1	
1	NYLON 66	344262-1	13 WAY REC. HSG.	1	1-344263-1 (BLACK)
2	SILICONE RUBBER	LIGHT BLUE	PERIPHERAL SEAL	1	
1	NYLON 66	344262-2	13 WAY REC. HSG.	1	1-344263-2 (WHITE)
2	SILICONE RUBBER	LIGHT BLUE	PERIPHERAL SEAL	1	
1	NYLON 66	344262-3	13 WAY REC. HSG.	1	1-344263-3 (BLUE)
2	SILICONE RUBBER	LIGHT BLUE	PERIPHERAL SEAL	1	

THIS DRAWING IS A CONTROLLED DOCUMENT FOR AMP INCORPORATED. IT IS SUBJECT TO CHANGE AND THE CONTROLLING ENGINEERING ORGANIZATION SHOULD BE CONTACTED FOR THE LATEST REVISION.		DWN	AMP of Great Britain Ltd, Stanmore, Middlesex, HA7 4RS.	
DIMENSIONS IN m.m	TOLERANCES UNLESS OTHERWISE SPECIFIED: LINEAR: - ±0.5 ANGULAR: - ±1°	CHR	NAME 13 WAY REC. HSG. ASSY. ECONOSEAL 3 LOW CURRENT	
THIRD ANGLE PROJECTION		APVD	SIZE A2	CAGE CODE 00779
MATERIAL	FINISH	PRODUCT SPEC	DRAWING NO. C344263	SCALE
		APPLICATION SPEC	SHEET 2 OF 2 REV J	
		WEIGHT	CUSTOMER DRAWING	