

MODELS:

SRX42UB / SRX42UBEXP

SmartRack® Euro-Series Rack Enclosure



42 Rack Units



1360 kg
Stationary
Load Capacity



1020 kg
Rolling
Load Capacity



Heavy-Duty
Casters



Locking Doors &
Side Panels



Standard
19-inch
(48.3 cm)
Rack Width



Toolless
Mounting Slots



Adjustable
Rails with
Easy-View
Depth Index



Airflow
Exceeds
Server OEM
Requirements



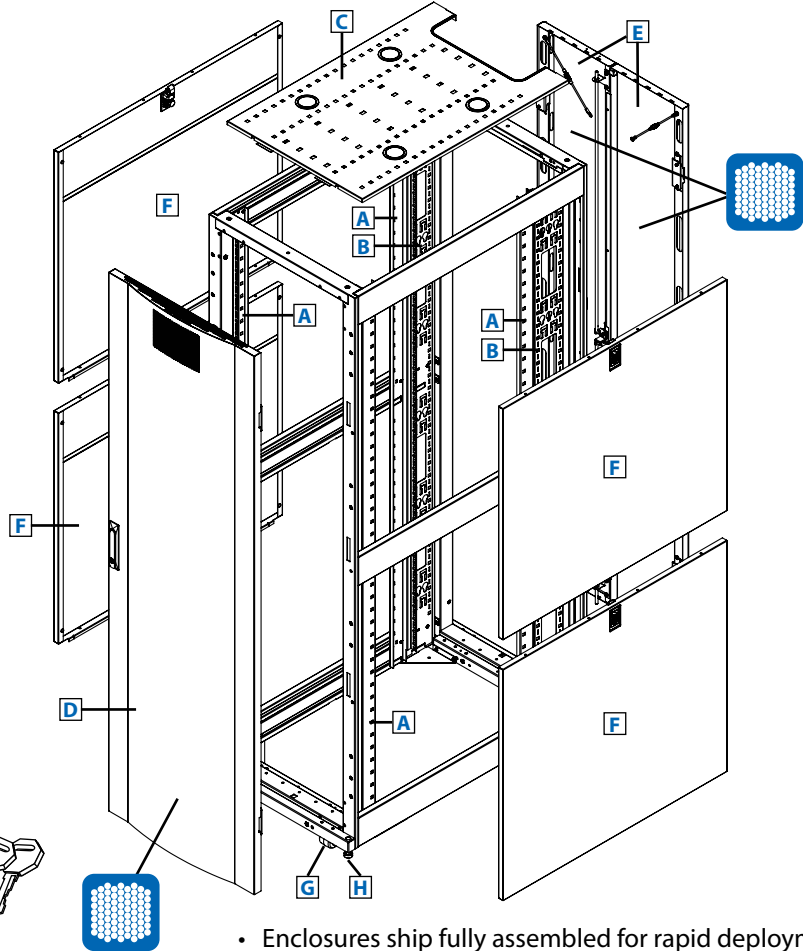
Integrated
Baying Tabs



Square Hole
Mounting

- A** Adjustable Mounting Rails
- B** Adjustable PDU Mounting Rails with Toolless Mounting Slots
- C** Roof Panel (Removable)
- D** Front Door (Lockable/Removable/Reversible)
- E** Split Rear Doors (Lockable/Removable)
- F** Side Panels (Lockable/Removable; not included with SRX42UBEXP)
- G** Heavy-Duty Casters
- H** Heavy-Duty Levelers
- I** Keys (For doors and side panels.)

Also Includes: Owner's manual, 2 shipping/stabilizing brackets and rack-mount equipment mounting hardware (50 cage nuts, 50 mounting screws, 50 nylon cup washers).



- Enclosures ship fully assembled for rapid deployment, but can be knocked down for easy reassembly in confined spaces
- Modular design optimized for quick configuration and reconfiguration
- Ideal for rack-mount server, network and telecom applications

SEE NEXT PAGE FOR DETAILED UNIT MEASUREMENTS

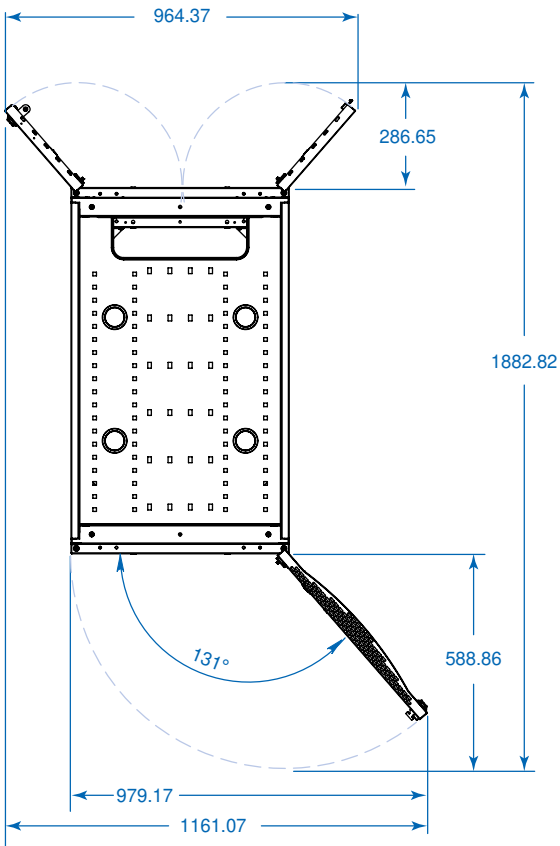


1111 W. 35th Street
Chicago, IL 60609 USA
773.869.1234
www.tripplite.com

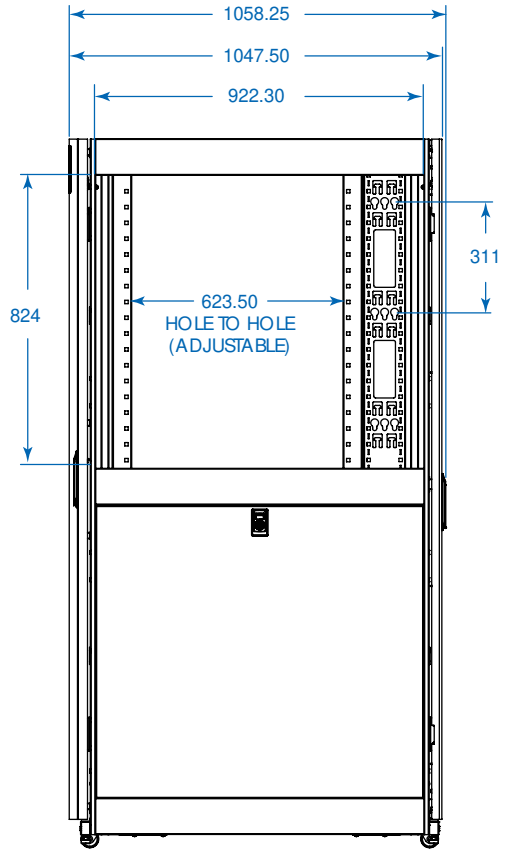


Specifications

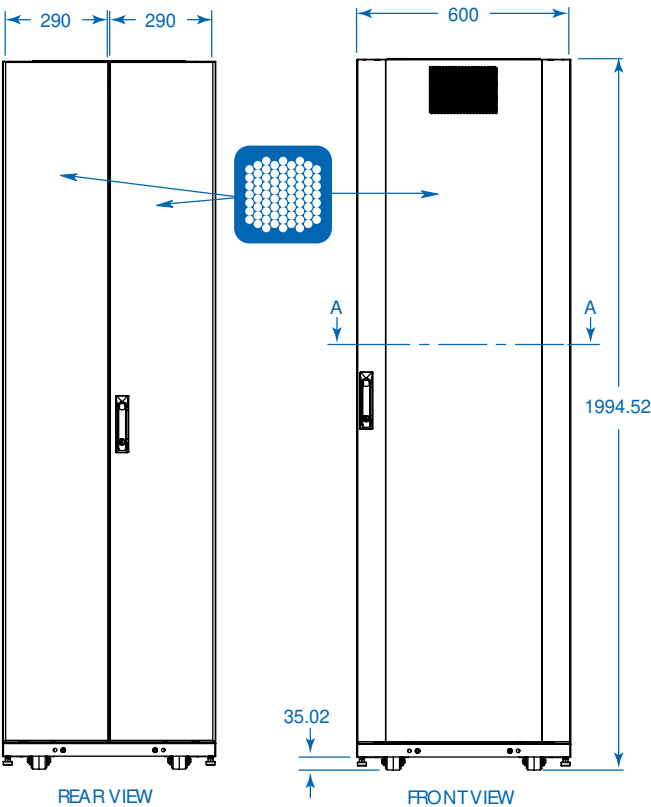
| | |
|---------------------------------|--|
| Model | SRX42UB |
| Rack Spaces | 42U |
| Stationary Load Capacity | 1360 kg |
| Rolling Load Capacity | 1020 kg |
| Unit Dimensions (H x W x D) | 1994 x 600 x 1048 mm |
| Shipping Dimensions (H x W x D) | 2121 x 654 x 660 mm |
| Unit Weight | 136 kg |
| Shipping Weight | 150 kg |
| Standards | UL 60950, IP20; EIA/ECA-310-E, ETSI, RoHS Compliant |
| Model | SRX42UBEXP (Identical to SRX42UB, but without side panels) |
| Unit Weight | 102 kg |
| Shipping Weight | 117 kg |



TOP VIEW

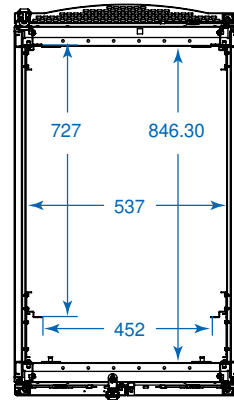


SIDE VIEW



REAR VIEW

FRONT VIEW



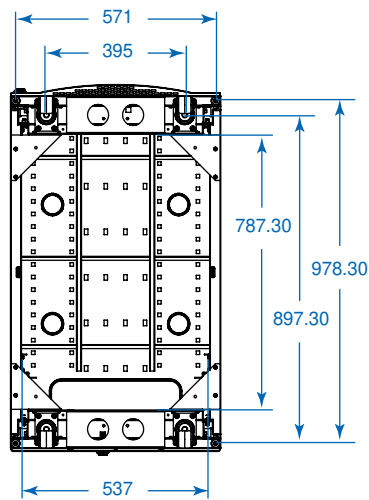
CROSS SECTION A

MODELS:
SRX42UB
SRX42UBEXP

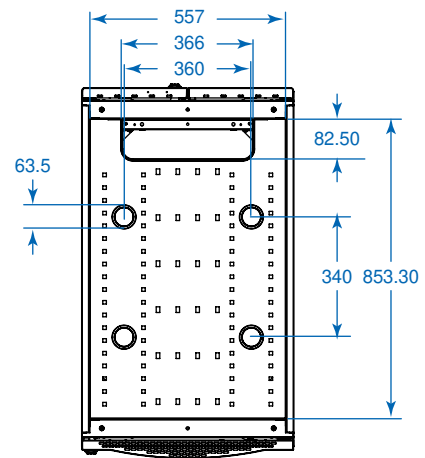


Dimensions: mm

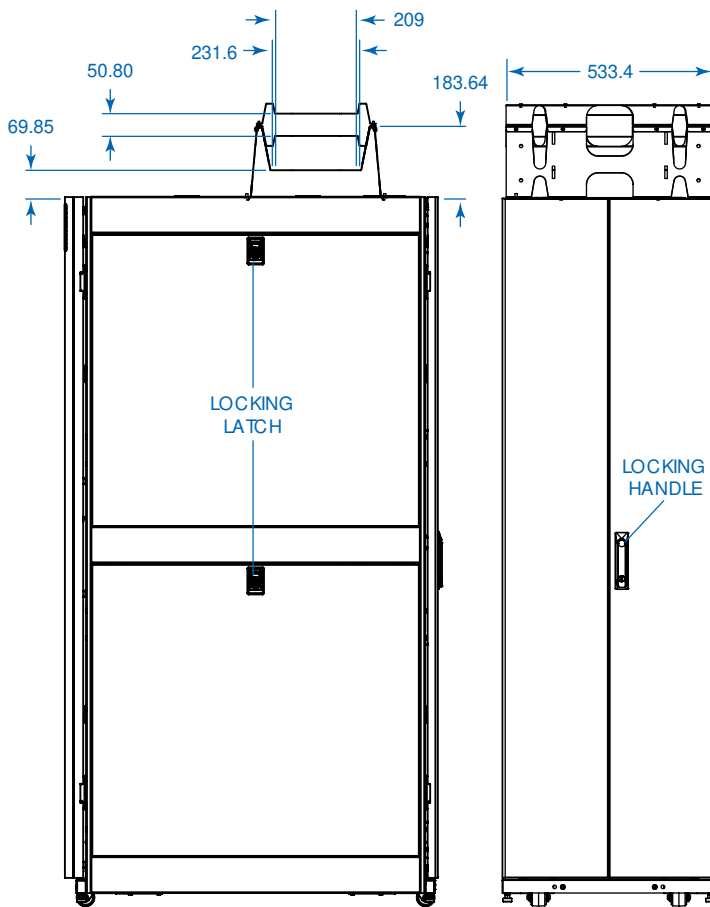
Tripp Lite has a policy of continuous improvement. Specifications are subject to change without notice.



BOTTOM VIEW

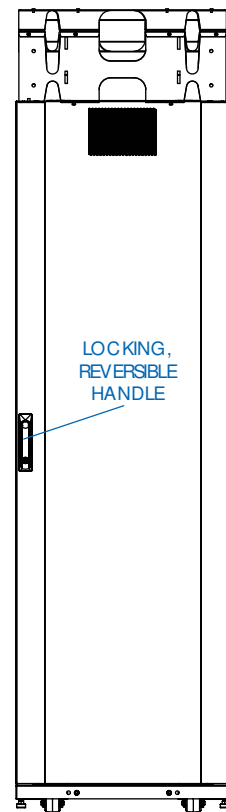


TOP VIEW



SIDE VIEW

REAR VIEW



FRONT VIEW

OPTIONAL SRCABLETRAY AND SRCABLETRAYEXP CABLE MANAGEMENT ACCESSORIES SHOWN (MOUNTING POSITION ADJUSTS TO ACCOMMODATE A WIDE RANGE OF APPLICATIONS)

MODELS:
SRX42UB
SRX42UBEXP



1111 W. 35th Street
 Chicago, IL 60609 USA
 773.869.1234
 www.tripplite.com

Dimensions: mm

Tripp Lite has a policy of continuous improvement. Specifications are subject to change without notice.