

LOC	DIST	REVISIONS			
GP	00	REV	DATE	BY	APPD
		A	28MAR2007	RG	PD
		B	15SEP2011	RG	MS

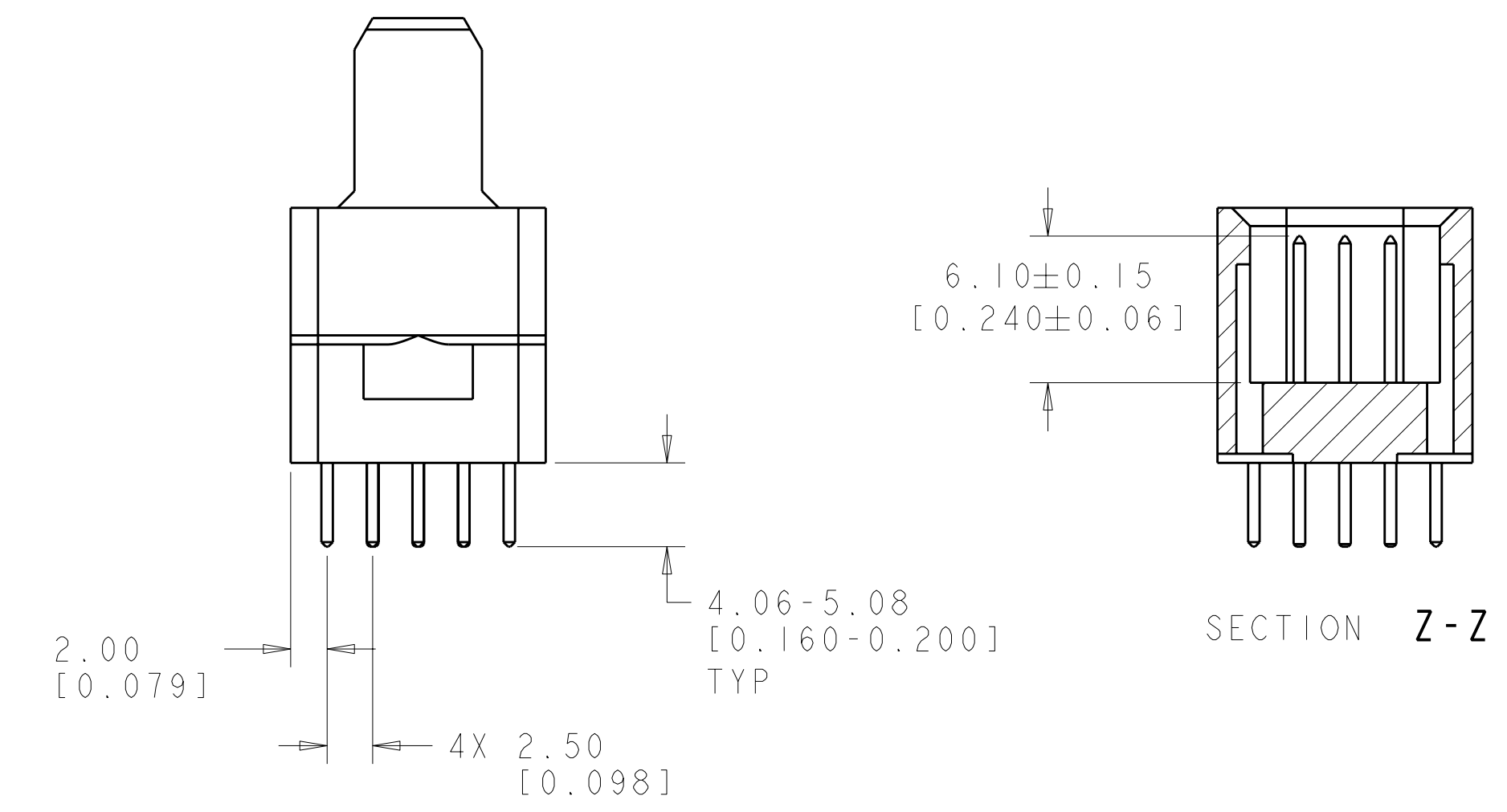
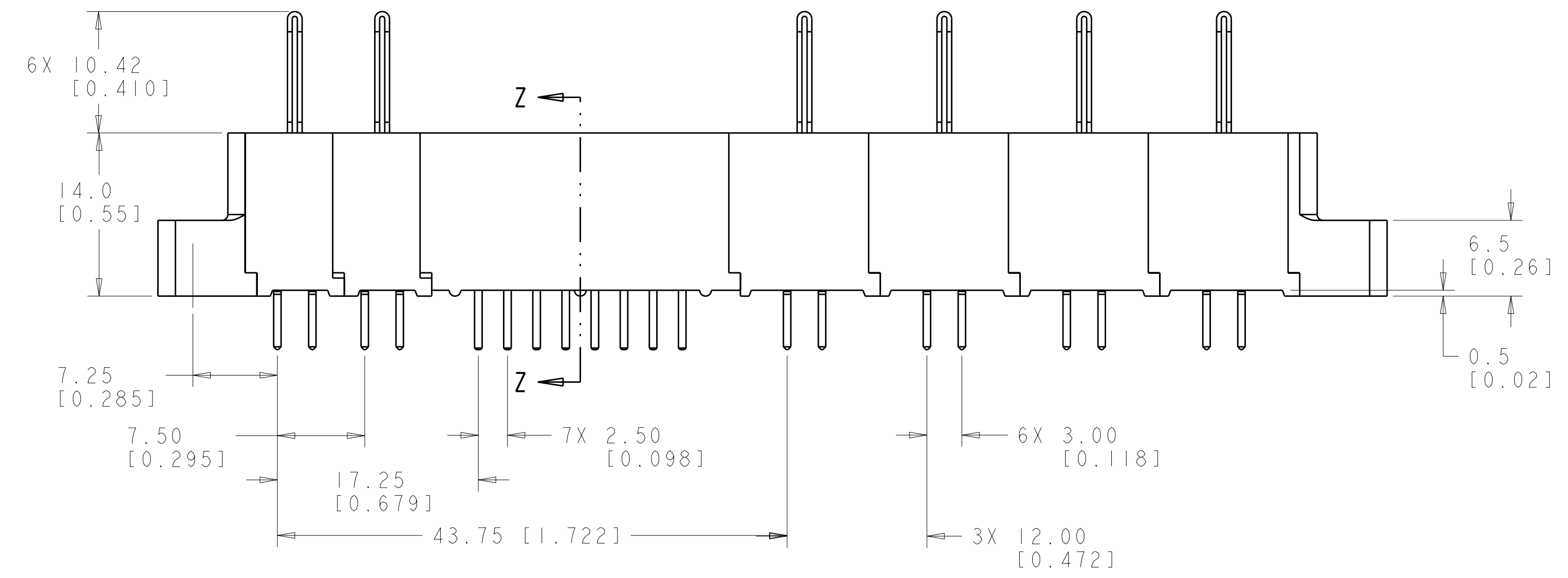
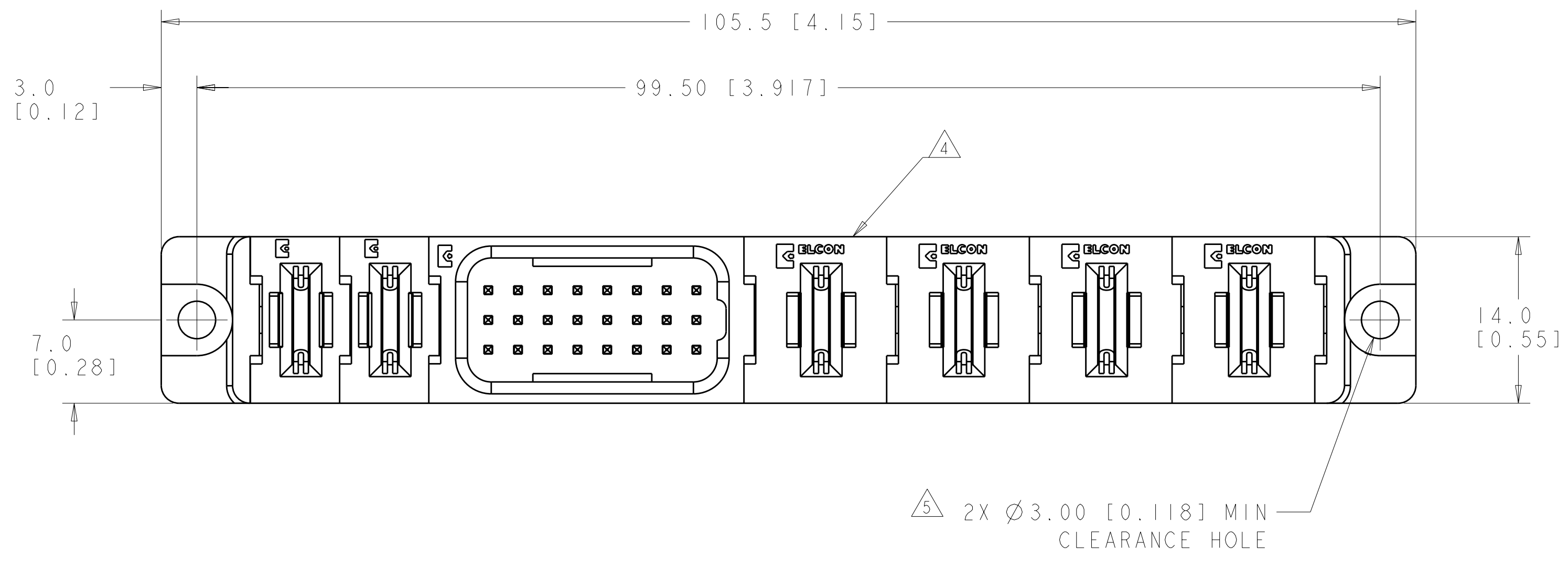
- PART NUMBER CHANGES AND OR DESIGN CHANGES AFFECTING ITEM INTERCHANGEABILITY REQUIRE PRIOR TYCO APPROVAL AND AUTHORIZATION BY REVISION TO THIS DRAWING.
- MATERIAL:
  - INSULATORS - THERMOPLASTIC, GLASS REINFORCED, COLOR: BLACK UL94V-0 FLAMMABILITY RATED.
  - POWER CONTACTS - PHOSPHOR BRONZE ALLOY, COPPER ALLOY
  - SIGNAL PINS-BRASS ALLOY
  - CROWN BAND-BERYLLIUM COPPER ALLOY
- FINISH:
  - CONTACTS - GOLD PLATE 0.76µm MIN. THK., OVER NICKEL 1.27µm MIN. THK
  - SOLDER TAILS- TIN 3.05µm MIN. THK. OVER NICKEL 1.27µm MIN THK.

△ ITEMS PROVIDED TO THIS SPECIFICATION TO BE PERMANENTLY IDENTIFIED PER THE FOLLOWING IDENTIFIER LABEL

YEAR    WEEK   

TYCO PART NO. XXXXXXXX-X DATE CODE (e.g. 0106) XXXX

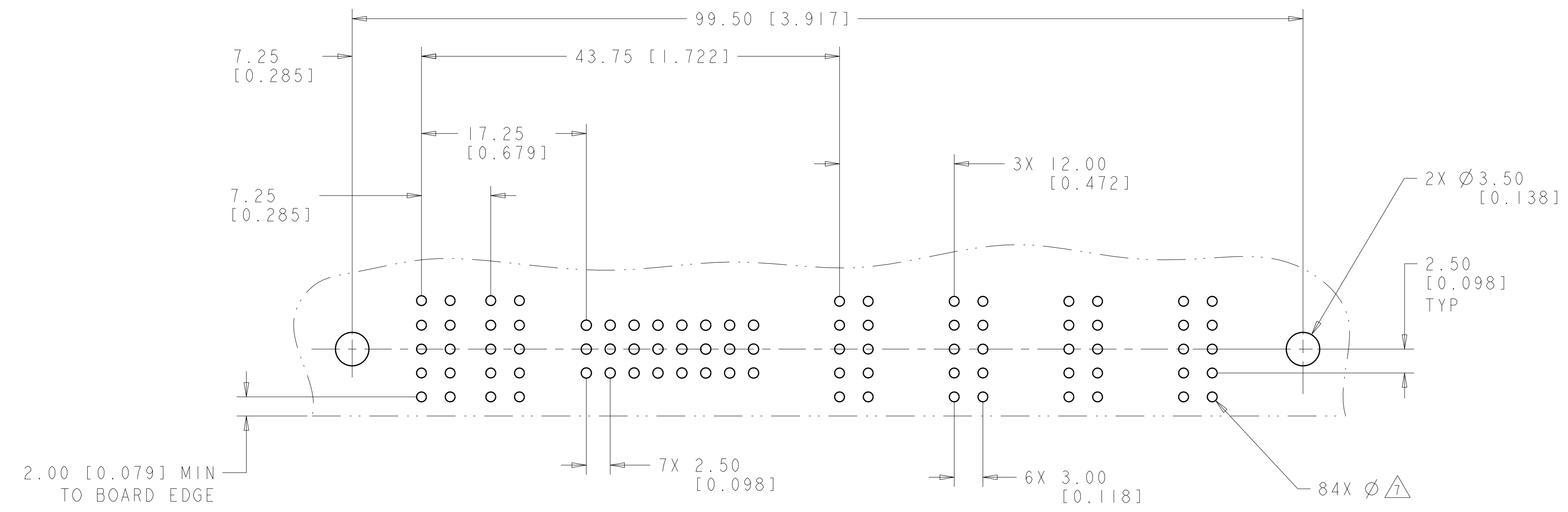
△ MOUNTING FLANGES ACCEPT M3 OR #4 SCREWS. (USER SUPPLIED)



**ELCON** **FLATPAQ**

AS SHOWN		6646621-1	
DESCRIPTION		PART NUMBER	
DIMENSIONS: mm TOLERANCES UNLESS OTHERWISE SPECIFIED: 9 PLC ±.5 [1.025] 3 PLC ±.25 [1.010] 5 PLC ±.5 4 PLC ±.5 ANGLES ±.5 FINISH		DWN R. GRZYBOWSKI 27MAR2007 CHK P. DAMATO 27MAR2007 APVD S. FLICKINGER 27MAR2007 NAME PRODUCT SPEC APPLICATION SPEC WEIGHT CUSTOMER DRAWING	
MATERIAL: - FINISH: -		Tyco Electronics Harrisburg, PA 17105-3608 P100779C=6646621 SCALE 3:1 SHEET 1 OF 3 REV B	

LOC	DIST	REVISIONS			
P	LTB	DESCRIPTION	DATE	DWN	APVD
GP	00	SEE SHEET 1	-	-	-



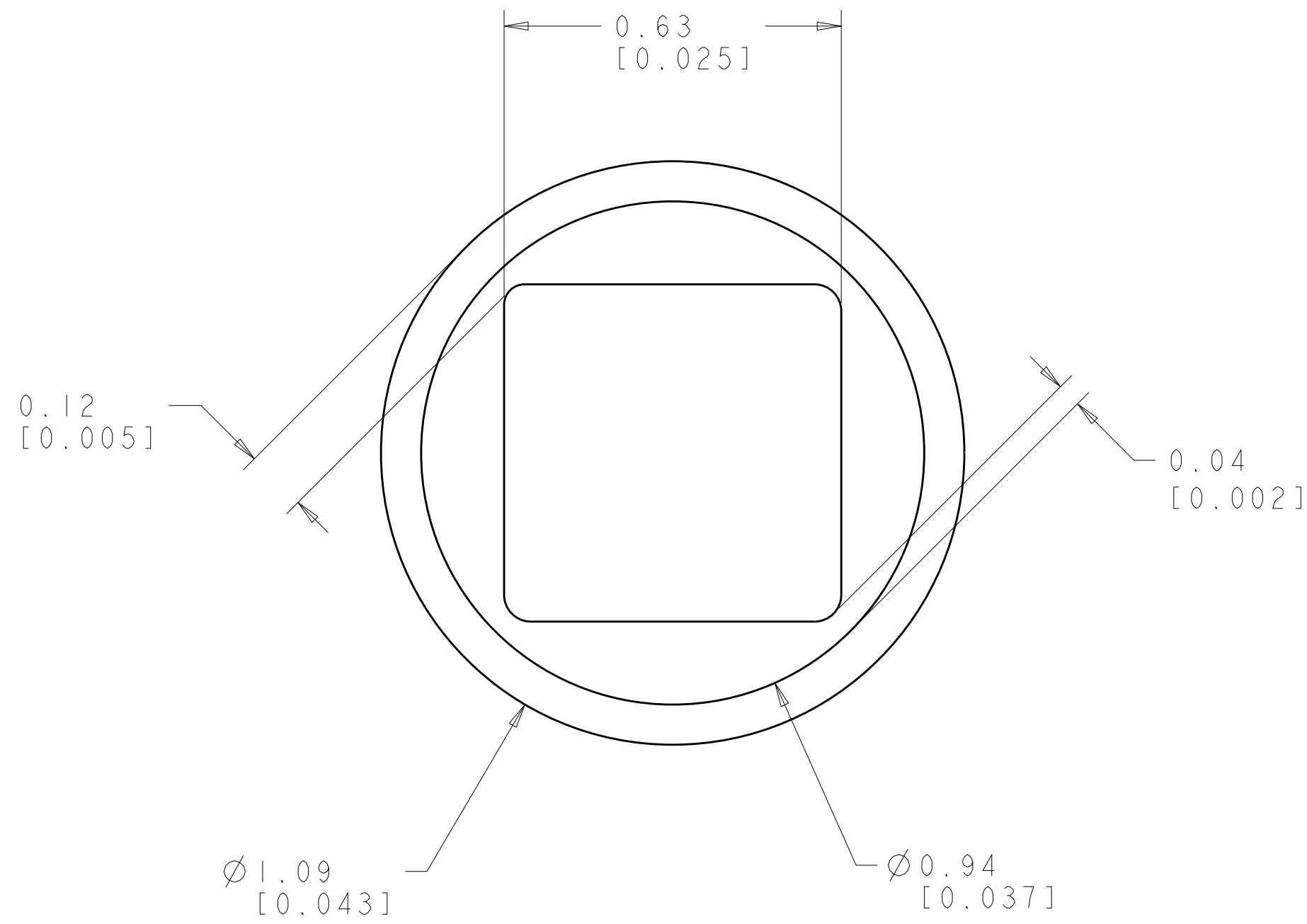
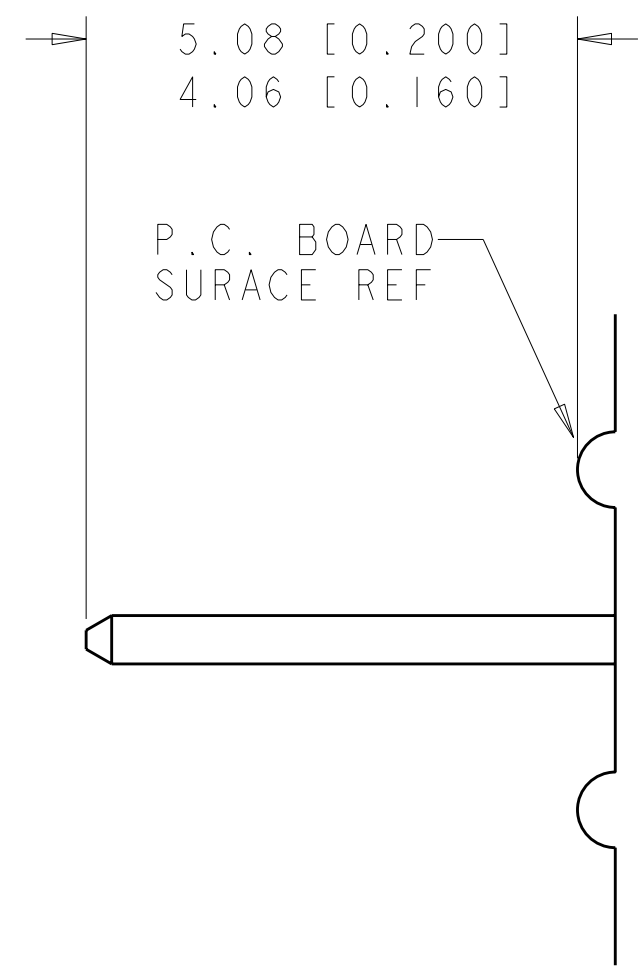
PRINTED CIRCUIT LAYOUT  
 COMPONENT SIDE

CONNECTOR	CATALOG MODULE #	QTY	SIZE NO.	CONTACT QTY	MATING PIN	MAX. CURRENT (PER CONTACT)	CONTACT SPACING	VOLTAGE RATING
PIN	FP101	2	8	2	1.25 X 7.00 [.049 X .276]	35 amps	7.50 [0.295]	250 VOLTS
	FP117	4	8	4	1.25 X 7.00 [.049 X .276]	35 amps	12.00 [.4724]	600 VOLTS
	FP300	1	22	24	.64 [.025] SQ.	3 amps	2.50 [.0984]	125 VOLTS
	FP500	1	MOUNTING FLANGE, LEFT					
	FP501	1	MOUNTING FLANGE, RIGHT					

ELCON FLATPAQ

DIMENSIONS: mm 		TOLERANCES UNLESS OTHERWISE SPECIFIED: 9 PLC ±.5 [.025] 3 PLC ±.25 [.010] 4 PLC ±.5 ANGLES ±.5		DWN R. GRZYBOWSKI 21MAR2007 CHK P. DAMATO 21MAR2007 APVD S. FLICKINGER 21MAR2007		<b>tyco</b> Tyco Electronics Harrisburg, PA 17105-3608	
MATERIAL: - FINISH: -		WEIGHT: - CUSTOMER DRAWING		NAME: PIN CONNECTOR STRAIGHT, SOLDER TAILS FLATPAQ SIZE: A   00779   C=6646621 SCALE: 3:1 SHEET 2 OF 3 REV B		RESTRICTED TO: -	

LOC	DIST	REVISIONS					
		P	LTR	DESCRIPTION	DATE	DWN	APVD
GP	00	-	-	SEE SHEET 1	-	-	-



6. SOLDER PIN DETAIL  
SCALE 10 : 1

**7. SOLDER TERMINATION AREA**  
 SCALE 40:1  
 RECOMMENDED PRINTED CIRCUIT SOLDER HOLE  
 FINISHED HOLE: Ø1.02 [0.040] ±.08 [0.003]  
 DRILLED HOLE: Ø1.15 [0.0453] ±.013 [0.0005]  
 COPPER PLATE: .025 [0.0010] MIN  
 TIN PLATE: .008 [0.0003] MIN. (PER SURFACE)

<small>THIS DRAWING IS UNPUBLISHED. RELEASED FOR PUBLICATION 20                  © COPYRIGHT 20 BY TYCO ELECTRONICS CORPORATION, ALL RIGHTS RESERVED.</small>		DWN R. GRZYBOWSKI 21MAR2007 CHK P. DAMATO 21MAR2007 APVD S. FLICKINGER 21MAR2007	<b>tyco</b> Electronics Tyco Electronics Harrisburg, PA 17105-3608
DIMENSIONS: mm 	TOLERANCES UNLESS OTHERWISE SPECIFIED: 9 PLC ±.5 [0.025] 7 PLC ±.25 [0.010] 5 PLC ±.1 [0.005] 4 PLC ±.05 [0.002] ANGLES ±.5	NAME PRODUCT SPEC APPLICATION SPEC WEIGHT CUSTOMER DRAWING	PIN CONNECTOR STRAIGHT, SOLDER TAILS FLATPAQ SIZE CAGE CODE DRAWING NO A100779C-6646621 SCALE 3:1 SHEET 3 OF 3 REV B