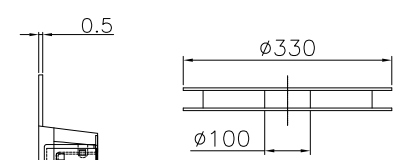
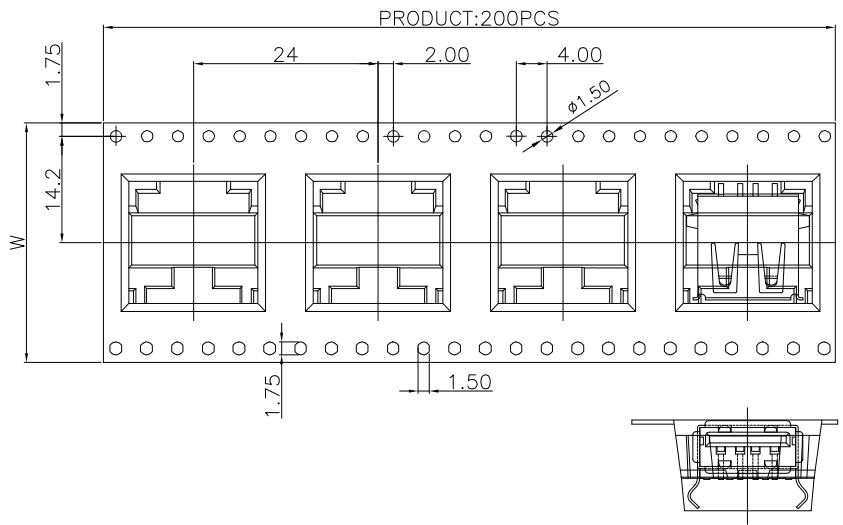


Specifications:
 Current Rating:1.5A AC/DC
 Voltage Rating:30V AC/DC
 Contact Resistance:30m ohm. Max.
 Insulation Resistance:1,000M ohm. min.
 Withstanding Voltage:500V AC For One Minute
 Operating Temperature Range:-40°C ~ +105°C

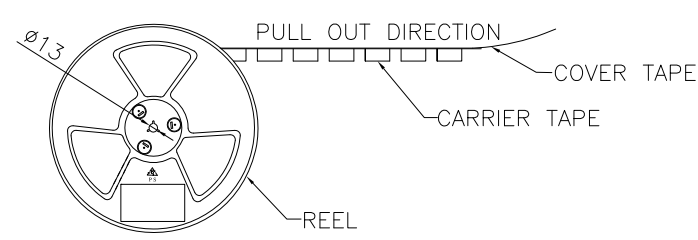
Material and Finish
 Insulator:LCP (UL94V-0)
 Insulator Color:Black
 Contact:Brass
 Plating:30u" Gold Plated on Contact Area
 Tin Plated on Solder Tail.
 Shell:Brass,Nickel Plated

RoHS Compliant

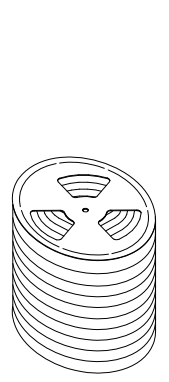
				DRAWN:	GENERAL TOLERANCE: .X=±0.20 X°.=±5° .XX=±0.10 .X°.=±3°	<h1 style="color: red; text-align: center;">CnC Tech</h1> <p style="text-align: center;">Industrial Cable and Connector Technology</p>		
				CHECKED:	UNIT: MM SCALE:1:1			DESCRIPTION: USB A TYPE SMD W/KINK TYPE, 30 u"
				APPROVAL:	SHEET: 1 / 2	PART NO:	1002-002-01100-TR	
REV	DATE	FILE	BY		PROJECTION:			



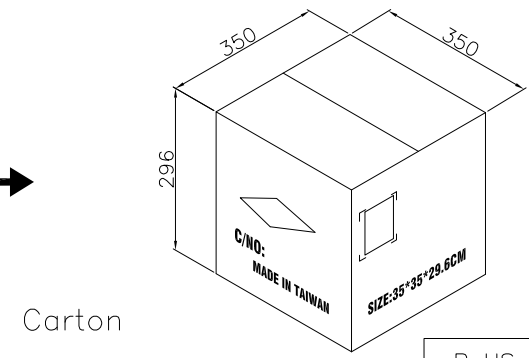
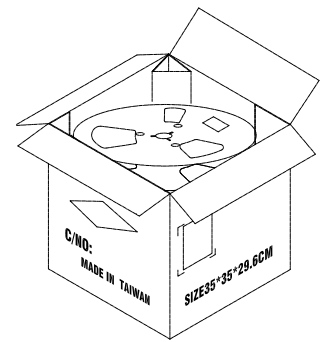
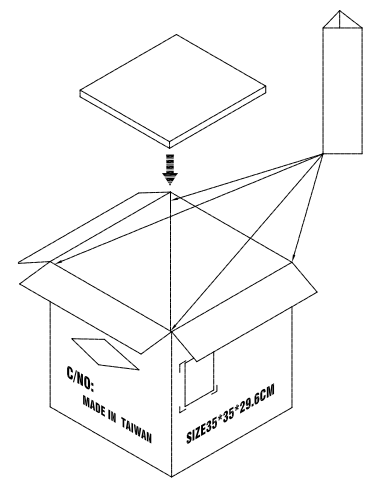
Note:
 1.Dimension:
 Carton Size:350X350X296 (mm)
 2.Qunntity:
 200 Pcs/R
 7 R/Carton
 Q'TY: 1400pcs



Pin. NO	W	Pcs/R	R/Carton	Q'TY
04	32	200	7	1400



7/Reel



Carton

RoHS Compliant

REV	DATE	FILE	BY

DRAWN:	GENERAL TOLERANCE: .X=±0.20 X°.=±5° .XX=±0.10 .X°=±3°
CHECKED:	UNIT: MM SCALE:1:1
APPROVAL:	SHEET: 2 / 2 PROJECTION:

CnC Tech Industrial Cable and Connector Technology	
DESCRIPTION: USB A TYPE SMD W/KINK TYPE, 30 u"	SIZE A4
PART NO: 1002-002-01100-TR	

A
B
C
D