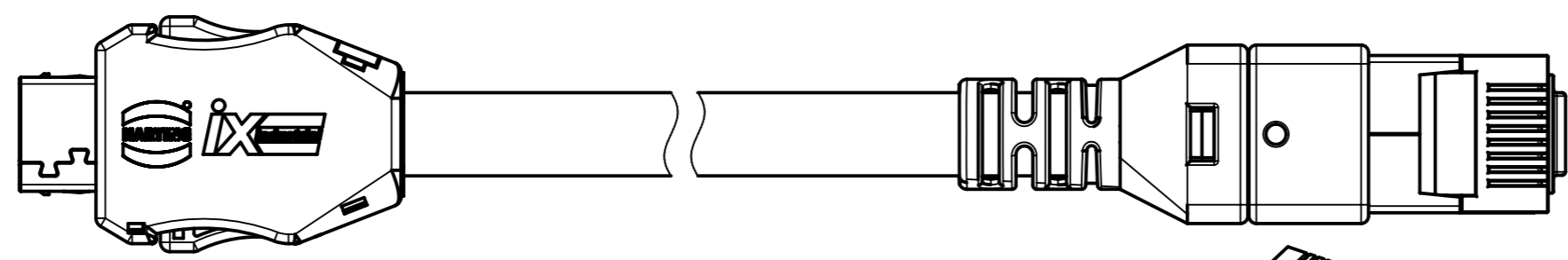
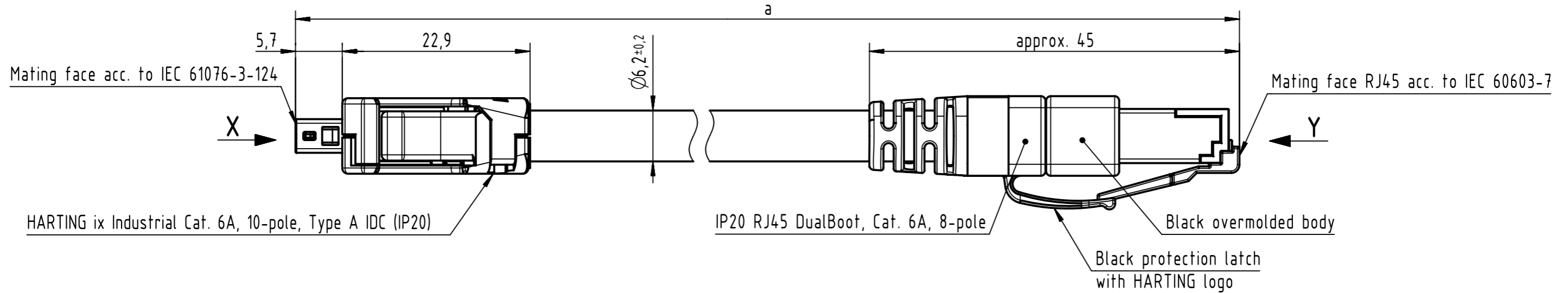


Connector Location A

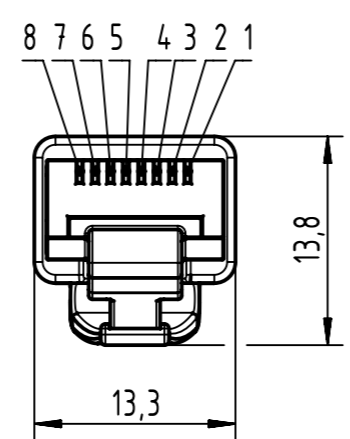
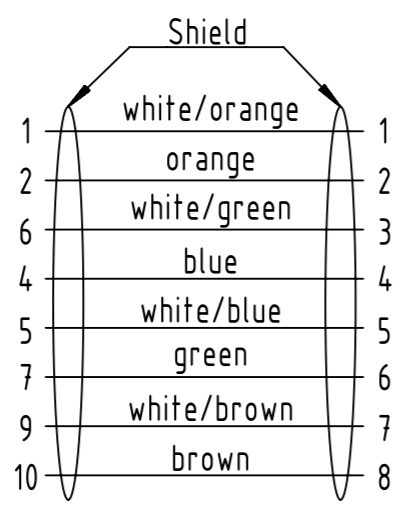
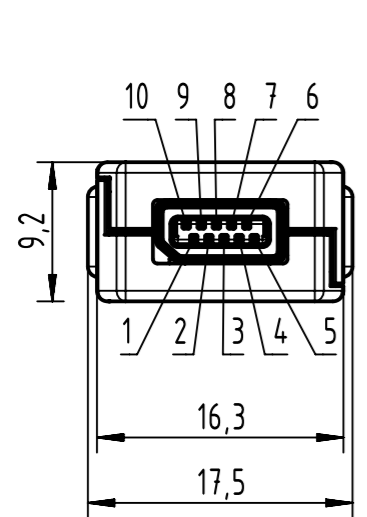
Connector Location B



X male

Loading Plan acc. to TIA/EIA 568B

Y male



Contacts 3 and 8 are not connected

- Contact material: cooper alloy (for ix)
- Contact area: Gold 0.2µm min. (for ix)
- Temperature range:
 - Fixed installation: -20°C ... +60°C
 - Dynamic installation: 0°C ... +50°C

NOTE:
 For lengths < 1.0m:
 - relative positioning of the connectors to each other will be as presented in the drawing, however with an admissible angular deviation around cable axis of ± 30°
 For lengths ≥ 1.0m:
 -relative positioning of the connectors to each other not obligatory

length in "1m" step	100	XXX=000
	99	XXX=990
	12	XXX=120
	11	XXX=110
length in "0.1m" step	10	XXX=100
	9.9	XXX=099
	9.8	XXX=098
	0.5	XXX=005
	0.4	XXX=004
	0.3	XXX=003
	0.2	XXX=002
Step	a [m]	XXX

6.0 to 100	±1%
0.6 to 5.9	+0.04
0.2 to 0.5	+0.02
a [m]	Tolerance

Cat. 7 FRNC Ethernet Cable, AWG 26/7, S/FTP, black	33480147828XXX
Type of cable	Part no.

	All rights reserved Department HCS - RO	Created by 407675 Lorinczi	Inspected by COSTEA Costea	Standardisation MUNTEANV Muntean	Date 2022-11-08	State Final Release	Doc-Key / ECM-Nr. 100862183/UGD/000/E 500000226506
HARTING Customised Solutions D-32339 Espelkamp		Title ix Industrial - RJ45 Cat.6A FRNC black		Type TB		Number 33480147828XXX	
						Rev. E	Page 1/1