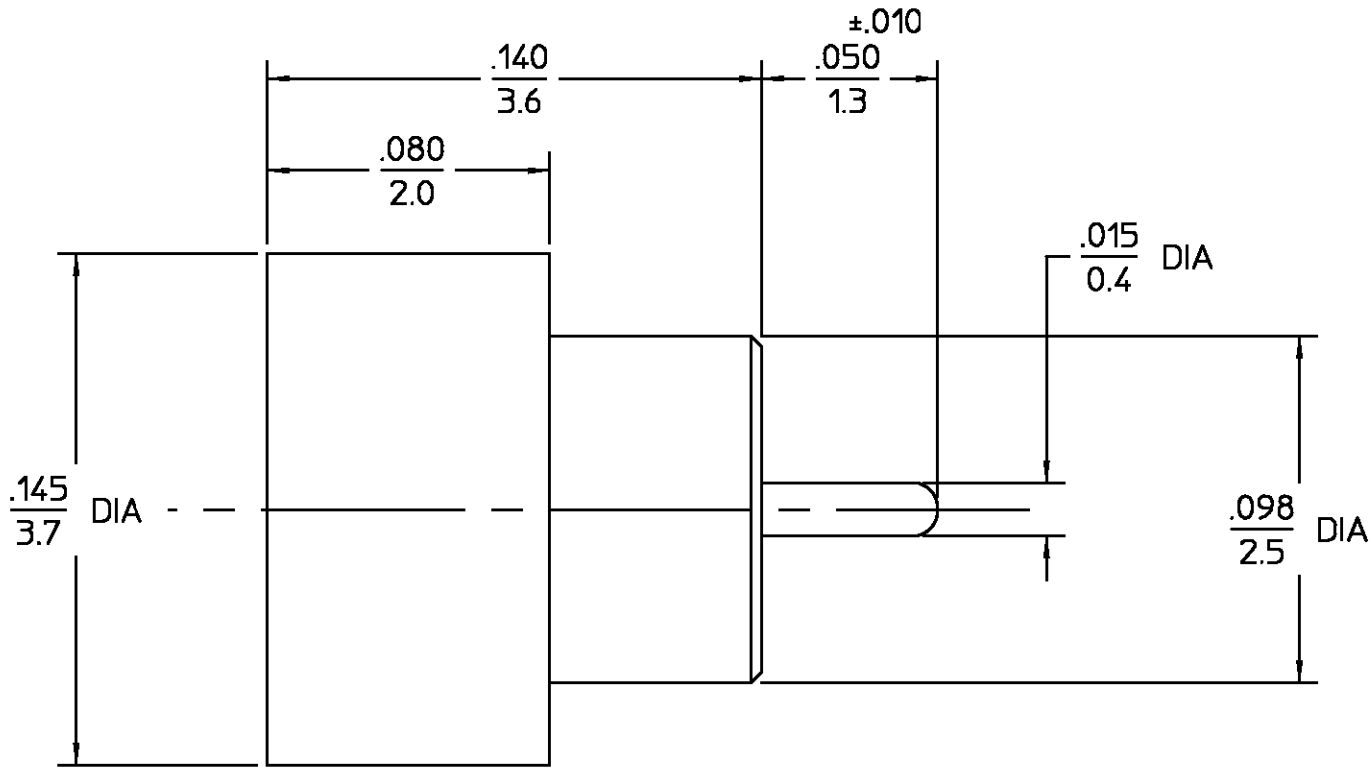
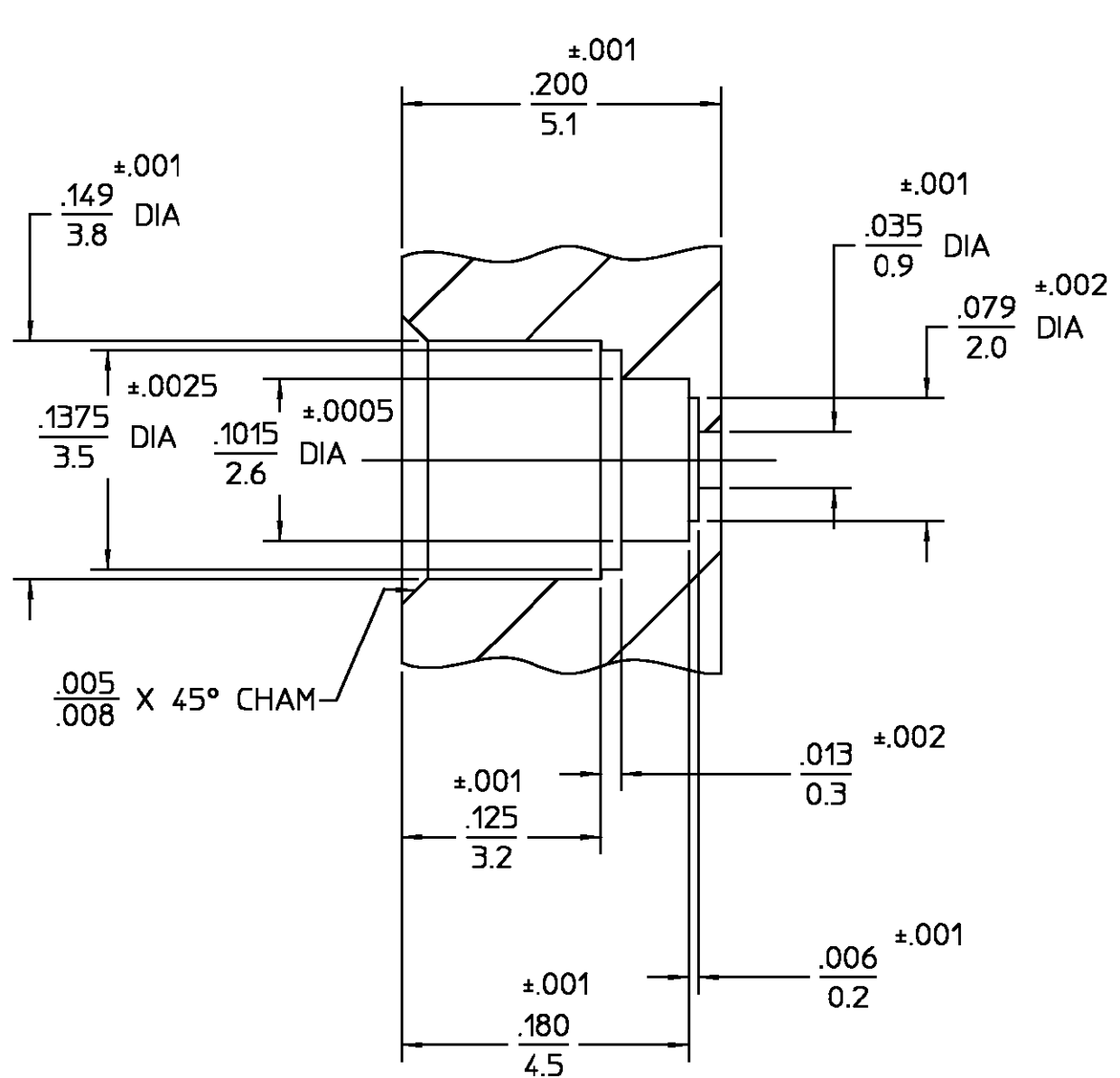


REVISIONS			
REV	DESCRIPTION	DATE	APPROVED
01 ₁	REVISED	BMH 2/24/97	DCpm 2/24/97



RECOMMENDED MOUNTING HOLE

.XXX = in
XX.X = mm

CONTACT EXT HOUSING	IRON NICKEL COBALT SEALING ALLOY (KOVAR) PER ASTM F15-78	GOLD PLATE PER MIL-G-45204
DIELECTRIC	CORNING GLASS 7070	N/A
COMPONENT	MATERIAL	FINISH
UNLESS OTHERWISE SPECIFIED DIMENSIONS ARE IN INCHES TOLERANCE ON	FRAC. DEC. ANGLES	± 1/64 ±.005 ± °
DRAWN BY <i>RAC</i>	DATE 1/30/95	AMP Incorporated 140 Fourth Avenue Waltham, MA 02451-7599
CHECKED BY <i>RAC</i>	APPROVED BY <i>RAC</i> 8/23/95	
USE ASSY PROCEDURE	TITLE OSMP SOLDER-IN SHROUD FULL DETENT	
NO. A.P. N/A	SIZE B	CODE IDENT NO. 2998-5054-94
	SCALE 20:1	REV 01 ₁
		SHEET 1 OF 1

CUSTOMER DRAWING

AMP PART # 1056750-1
SHEET 1 OF 1 REV A