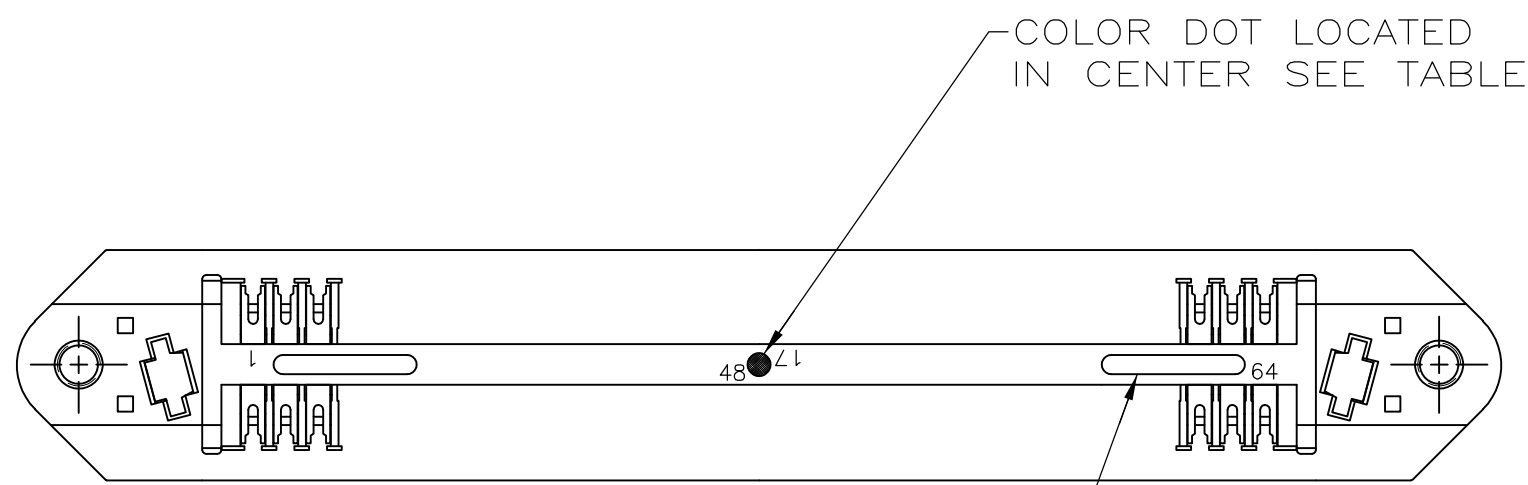
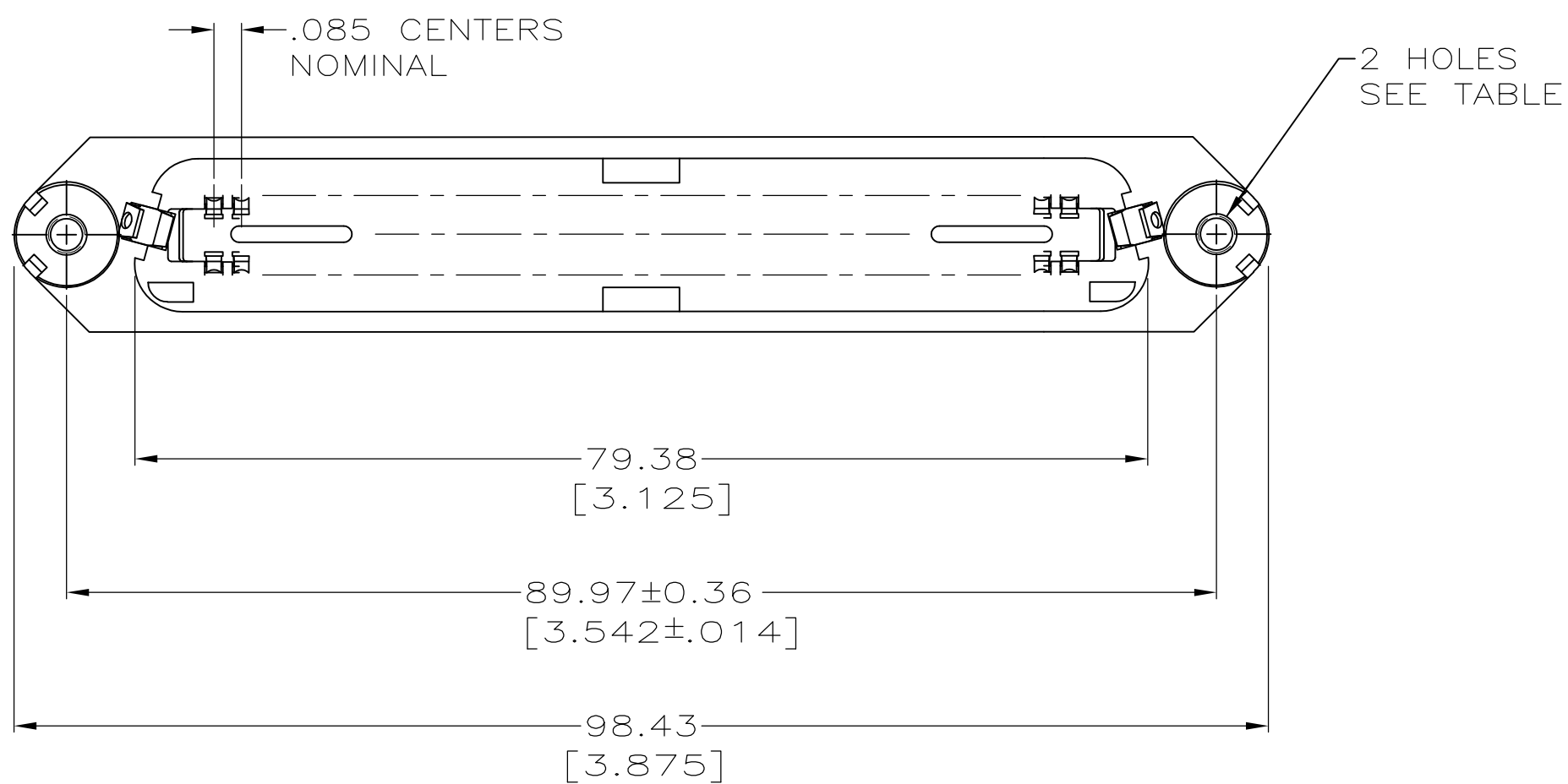
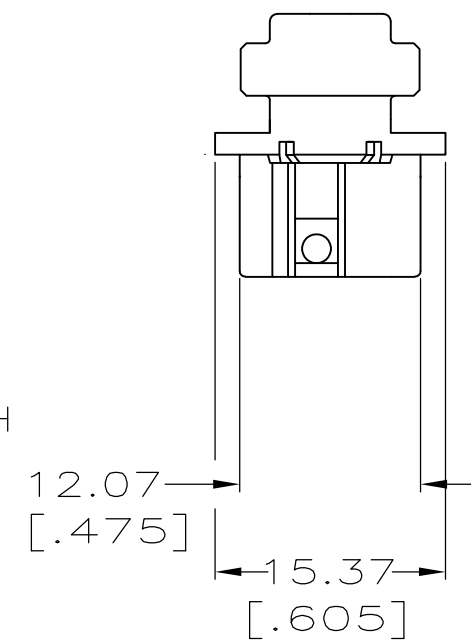
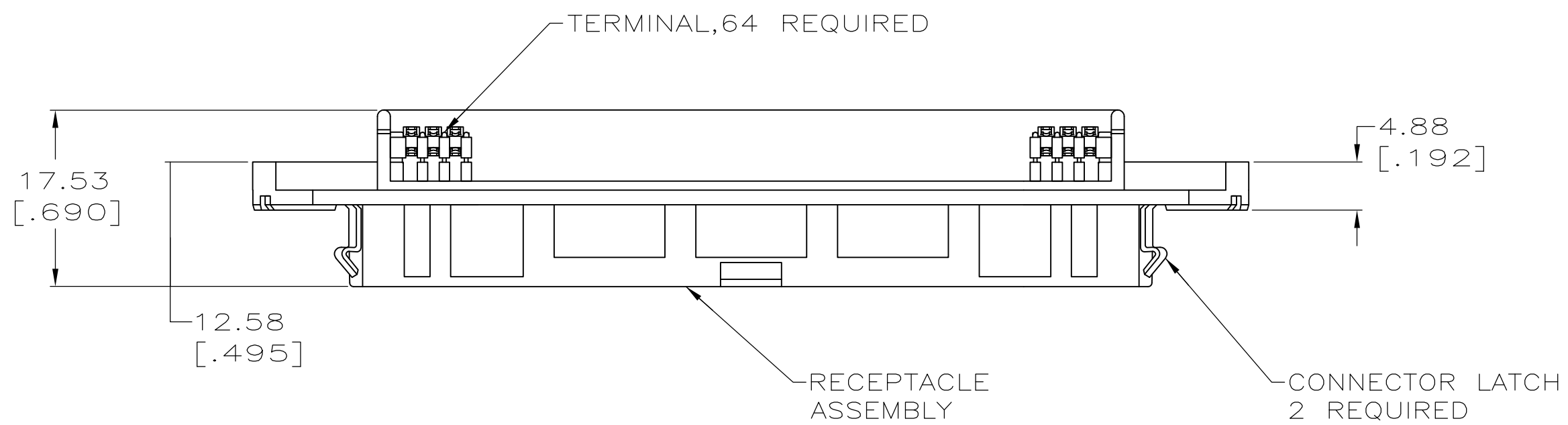


THIS DRAWING IS UNPUBLISHED. RELEASED FOR PUBLICATION
 © COPYRIGHT 2005 BY TYCO ELECTRONICS CORPORATION. ALL RIGHTS RESERVED.

| LOC | DIST | REVISIONS | | | |
|-----|------|-------------|---------------------------|---------|-------|
| P | LTR | DESCRIPTION | DATE | DWN | APVD |
| GP | 00 | B | REVISED PER ECO-08-007327 | 02OCT08 | BM WM |



- 1 MATERIAL: HOUSING - POLYPHENYLENE OXIDE.
 TERMINAL - HIGH STRENGTH COPPER ALLOY PLATED WITH 0.76µm [.000030] MIN GOLD OR GOLD FLASH OVER PALLADIUM NICKEL PLATE, 0.76µm [.000030] MIN TOTAL ON MATING SURFACE, OVER 1.27µm [.000050] MIN NICKEL PLATING.
 LATCH - BRIGHT ZINC PLATED STEEL.
- 2. THE CONTACT SURFACES OF THE TERMINALS ARE COATED WITH LUBRICANT.
- 3 ALL DIMENSIONS SHOWN ARE MAXIMUM UNLESS OTHERWISE SPECIFIED.
- 4 WIRE SIZE: 24 & 26 AWG SOLID OR 24 AWG 7 STRANDS OF COPPER CONDUCTORS. MAXIMUM INSULATION DIAMETER OF .045 IS ACCEPTABLE FOR MOST APPLICATIONS.
- 5 WIRE SIZE: 22 AWG SOLID OR STRANDED COPPER CONDUCTORS. MAXIMUM INSULATION DIA. OF .056 IS ACCEPTABLE FOR MOST APPLICATIONS.
- 6 CORING MAY OR MAY NOT APPEAR AND IS AT THE DISCRETION OF AMP INCORPORATED.



| | | | | | |
|----------------------------------------|------------|-------------------------|-----------------------------------------------------------------------------------------|--------------|-------------|
| Ø.182 - Ø.192 | BLUE | B | 4 | BLACK | 1-5554381-0 |
| #4-40UNC-2B | BLUE | B | 4 | BLACK | 5554381-2 |
| HOLE SIZE | COLOR DOT | SLOT SIZE | COLOR | PART NUMBER | |
| THIS DRAWING IS A CONTROLLED DOCUMENT. | | DWN G.PETERS 28SEP05 | Tyco Electronics Corporation Harrisburg, Pa 17105-3608 | | |
| DIMENSIONS: mm [INCHES] | | CHK W.MILLHIMES 28SEP05 | NAME | | |
| TOLERANCES UNLESS OTHERWISE SPECIFIED: | | APVD M.WALMSLEY 28SEP05 | RECEPTACLE ASSEMBLY, 64 POSITION, INTEGRAL LACKING LATCH, THICK FLANGE, CHAMP-LOK | | |
| 0 PLC ± - | 1 PLC ± - | PRODUCT SPEC | SIZE | CAGE CODE | DRAWING NO |
| 2 PLC ± - 3 | 3 PLC ± - | APPLICATION SPEC | A2 | 00779 | C=5554381 |
| 4 PLC ± - | ANGLES ± - | WEIGHT | RESTRICTED TO | | |
| MATERIAL 1 | FINISH 1 | CUSTOMER DRAWING | SCALE 2:1 | SHEET 1 OF 1 | REV B |

5554381