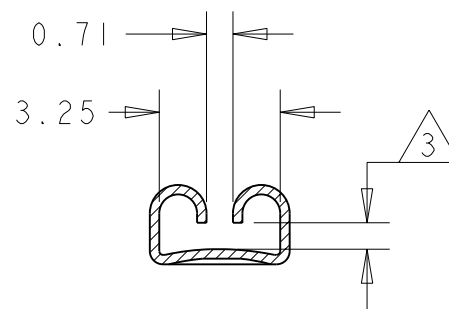
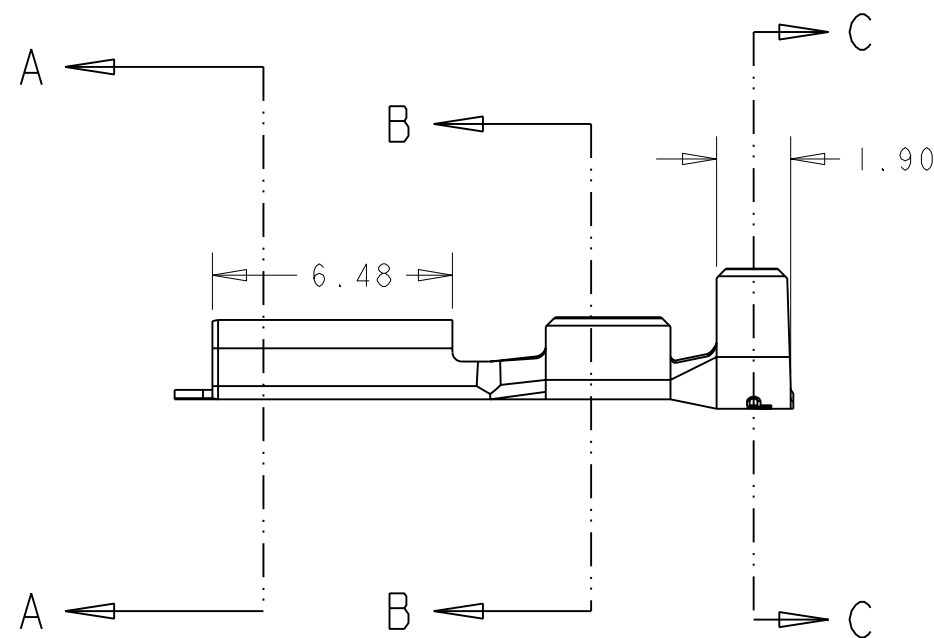
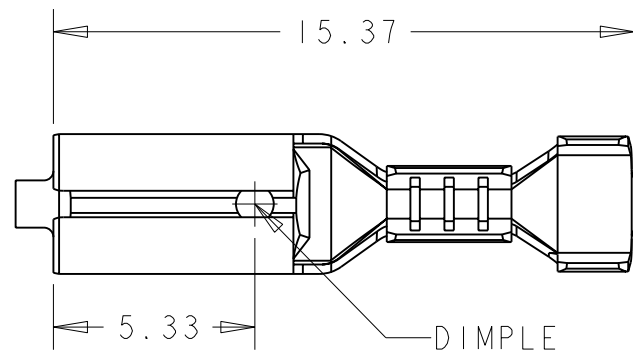
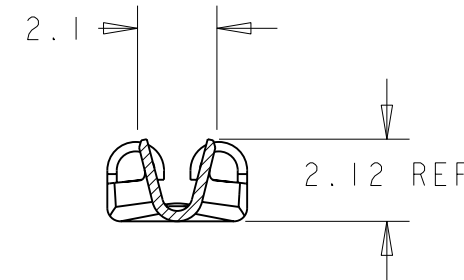


THIS DRAWING IS UNPUBLISHED. RELEASED FOR PUBLICATION 20
 © COPYRIGHT 20 ALL RIGHTS RESERVED.

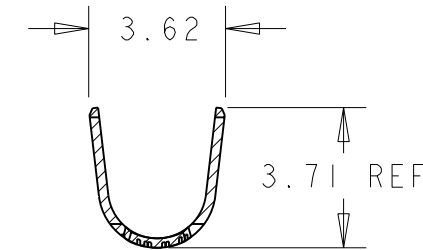
| LOC | DIST | REVISIONS | | | |
|-----|------|------------------------|-----------|-----|------|
| P | LTR | DESCRIPTION | DATE | DWN | APVD |
| | L1 | ECR-10-000004 | 01JAN10 | RK | SRE |
| | L2 | L.P VERSION INFO ADDED | 25MAY2011 | PKS | RRP |



SECTION A-A



SECTION B-B



SECTION C-C

NOTES:

- 1. WIRE SIZE: 0.2 - 0.56mm²
- 2. INSULATION DIAMETER: 2.0 - 3.0mm

TO SUIT 0.50mm THICK TAB

| | | | | |
|-------------------|-------------|---------------|---------------|----------|
| | | NONE | NICKEL SILVER | 150500-8 |
| | SPLICE FREE | ELECTRO TIN | BRASS | 150500-7 |
| 150205-6 | | NONE | PHOS BRONZE | 150500-6 |
| 150205-5 | | SILVER PLATED | BRASS | 150500-5 |
| 150205-4 | | PRE-TIN | BRASS | 150500-4 |
| OBSOLETE 150205-3 | | GOLD PLATED | BRASS | 150500-3 |
| 150205-2 | | ELECTRO TIN | BRASS | 150500-2 |
| 150205-1 | | NONE | BRASS | 150500-1 |
| L.P P/N | REELING | FINISH | MATERIAL | PART NO |

| | | | | | |
|--|--|---------------------------------|---|----------------------|---------------------------|
| THIS DRAWING IS A CONTROLLED DOCUMENT. | | DWN M. GREENER 15JUN2007 | TE Connectivity .110 SERIES MINIATURE FASTON RECEPTACLE | | |
| DIMENSIONS: mm | | CHK J. AMBROSE 15JUN2007 | | | NAME |
| | | APVD J. AMBROSE 15JUN2007 | | | PRODUCT SPEC 108-20020 |
| TOLERANCES UNLESS OTHERWISE SPECIFIED: | | APPLICATION SPEC 114-2036 | | RESTRICTED TO | |
| MATERIAL SEE TABLE | | WEIGHT - | | SIZE A3 | |
| FINISH SEE TABLE | | CUSTOMER DRAWING | | CAGE CODE 00779 | |
| | | SCALE NTS | | DRAWING NO 150500 | |
| | | | | SHEET 1 | |
| | | | | OF 1 | |
| | | | | REV L2 | |