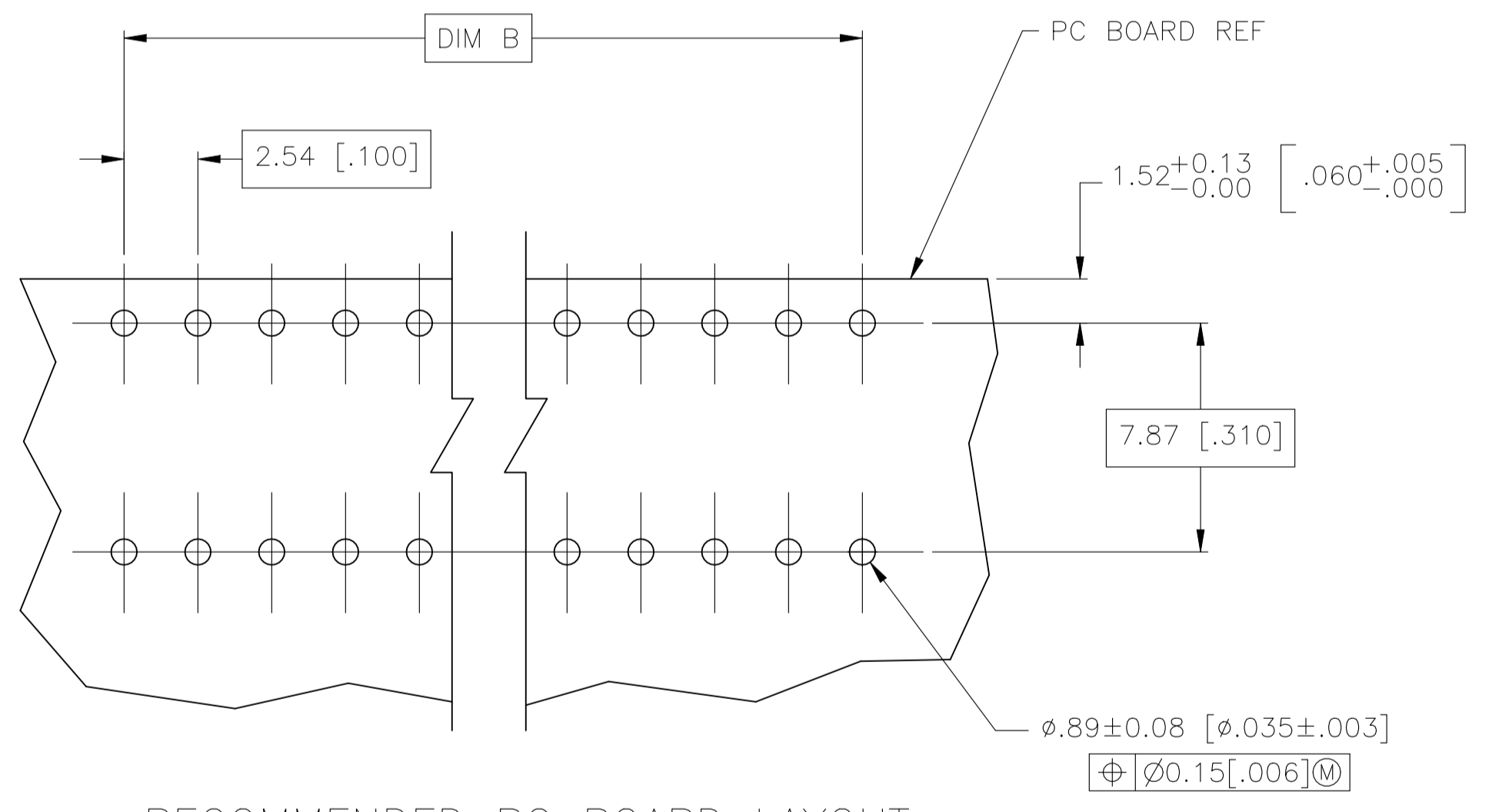
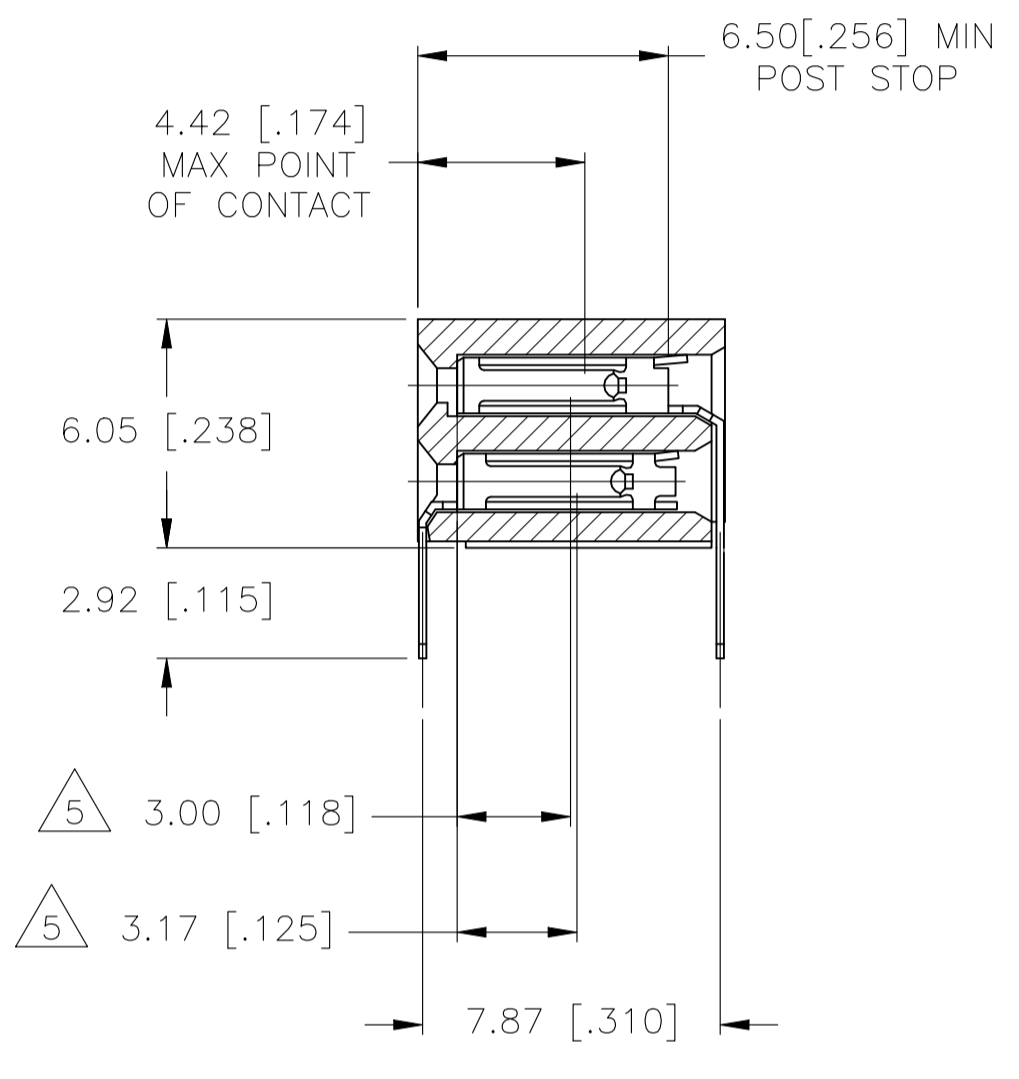
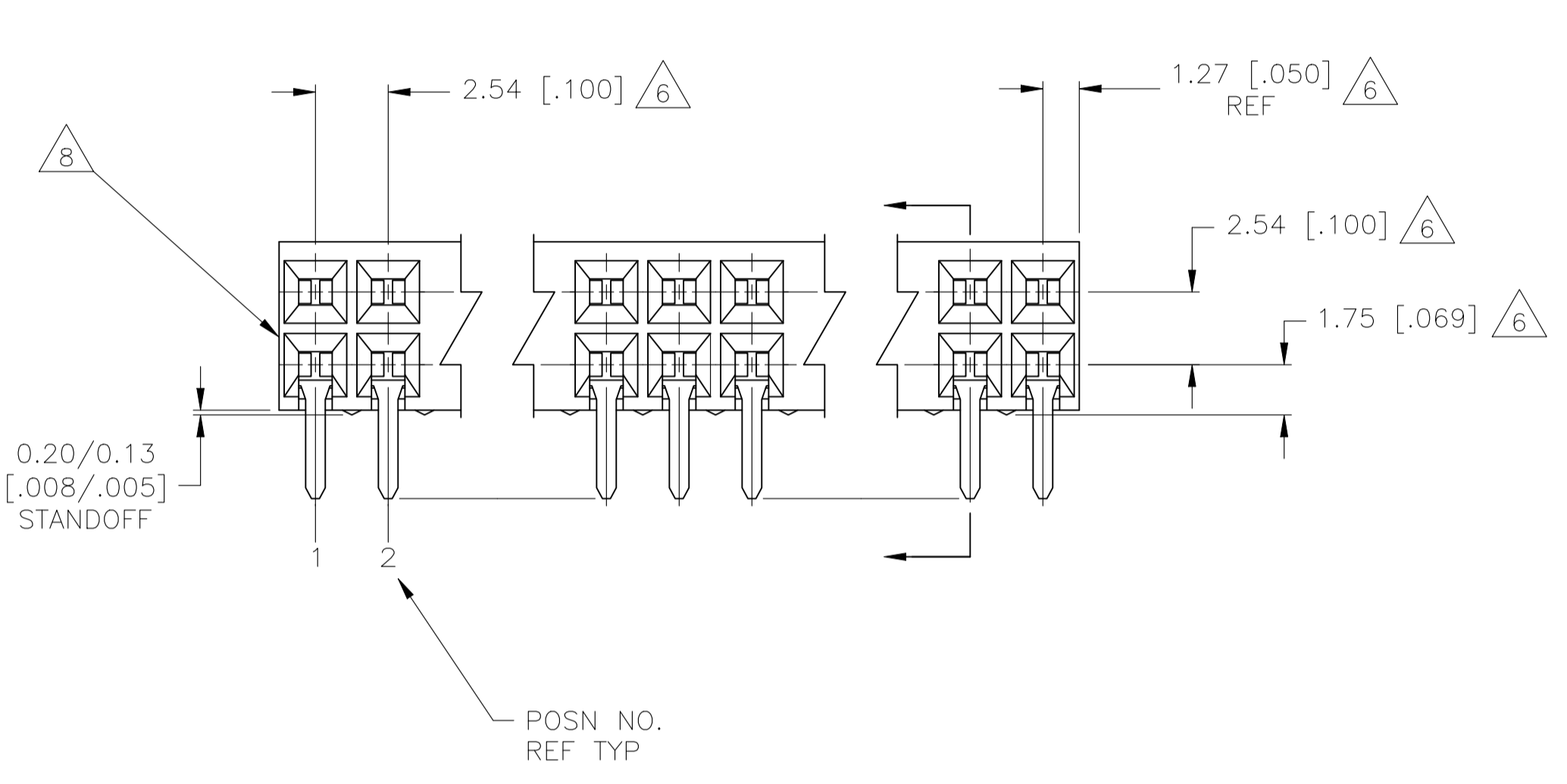
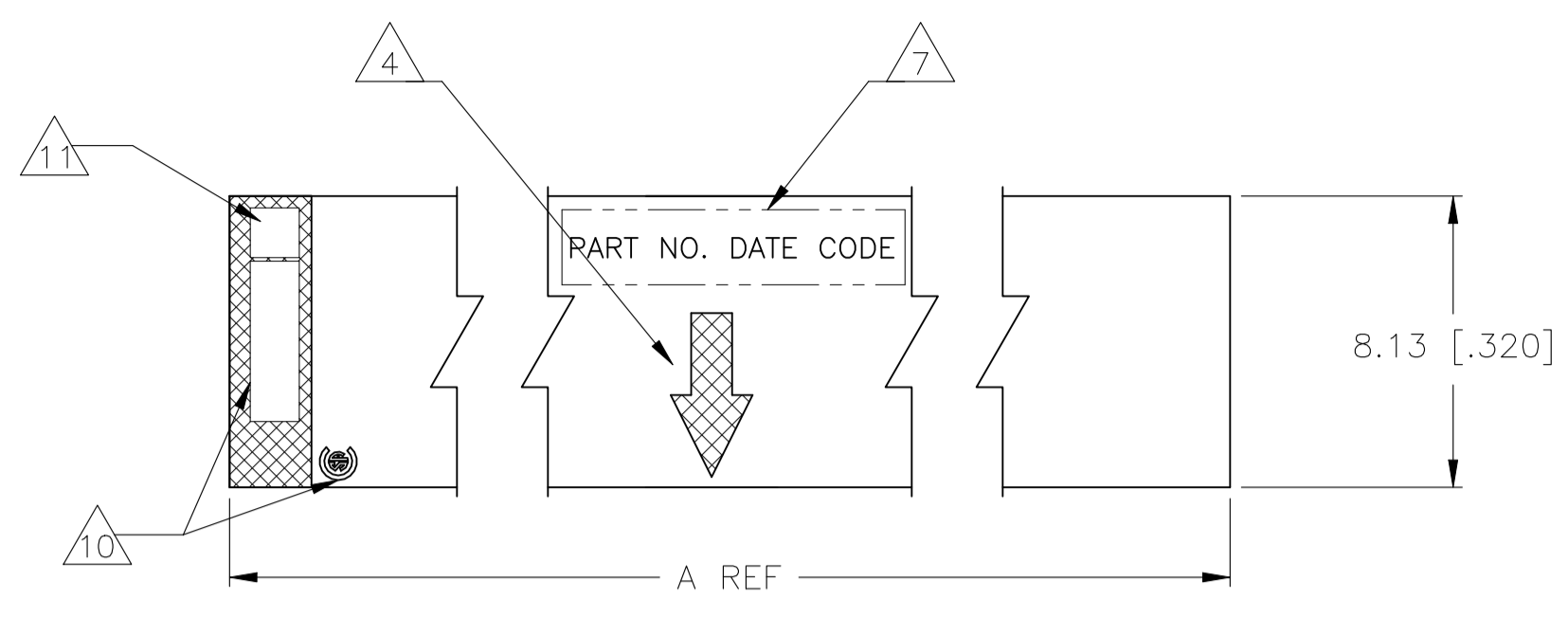


REVISIONS				
REV	DATE	DESCRIPTION	BY	APPV
AA	14JUL2022	POSITION 1 MARKING SHOWN	SCB	PS



RECOMMENDED PC BOARD LAYOUT

- 1 HOUSING MATERIAL: GLASS FILLED POLYESTER, COLOR- BLACK
- 2 CONTACT MATERIAL: PHOSPHOR BRONZE
- 3 CONTACT FINISH: 0.00254-0.00508[.000100-.000200] THK BRIGHT TIN-LEAD, ALL OVER 0.00127[.000050] NICKEL, ENTIRE CONTACT
- 4 MOLDED IN ARROW DESIGNATES THE MATING FACE OF THE CONNECTOR
- 5 POINT OF MEASUREMENT FOR PLATING THICKNESS OF CONTACT AREA
- 6 DIMENSIONS PERTAIN TO HOUSING CAVITY CENTERLINES
- 7 MARK PART NUMBER AND DATE CODE IN APPROXIMATE LOCATION SHOWN, EITHER END.
- 8 ALTERNATE LOCATION FOR DATE CODE FOR 4 AND 6 POSITION.
- 9 NO PART NUMBER MARKING REQUIRED FOR THIS PART.
- 10 TE LOGO AND CSA LOGO ARE MOLDED INTO HOUSING, THIS LOCATION.
- 11 POSITION #1 MARKING ON THIS LOCATION FOR ALL PART NUMBERS EXCEPT 6-102084-4

SUPERSEDED BY 5-5102084-9

REV	DATE	DESCRIPTION	BY	APPV		
9		2.54 [.100]	5.08 [.200]	4	8	6-102084-4
9		5.08 [.200]	7.62 [.300]	6	8	6-102084-3
9		7.62 [.300]	10.16 [.400]	8		6-102084-2
9		10.16 [.400]	12.70 [.500]	10		6-102084-1
		12.70 [.500]	15.24 [.600]	12		6-102084-0
		15.24 [.600]	17.78 [.700]	14		5-102084-9
		17.78 [.700]	20.32 [.800]	16		5-102084-8
		20.32 [.800]	22.86 [.900]	18		5-102084-7
		22.86 [.900]	25.40 [1.000]	20		5-102084-6
		25.40 [1.000]	27.94 [1.100]	22		5-102084-5
		27.94 [1.100]	30.48 [1.200]	24		5-102084-4
		30.48 [1.200]	33.02 [1.300]	26		5-102084-3
		33.02 [1.300]	35.56 [1.400]	28		5-102084-2
		35.56 [1.400]	38.10 [1.500]	30		5-102084-1
		38.10 [1.500]	40.64 [1.600]	32		5-102084-0
		40.64 [1.600]	43.18 [1.700]	34		4-102084-9
		43.18 [1.700]	45.72 [1.800]	36		4-102084-8
		45.72 [1.800]	48.26 [1.900]	38		4-102084-7
		48.26 [1.900]	50.8 [2.000]	40		4-102084-6
		50.8 [2.000]	53.34 [2.100]	42		4-102084-5
		53.34 [2.100]	55.88 [2.200]	44		4-102084-4
		55.88 [2.200]	58.42 [2.300]	46		4-102084-3
		58.42 [2.300]	60.96 [2.400]	48		4-102084-2
		60.96 [2.400]	63.50 [2.500]	50		4-102084-1
		63.50 [2.500]	66.04 [2.600]	52		4-102084-0
		66.04 [2.600]	68.58 [2.700]	54		3-102084-9
		68.58 [2.700]	71.12 [2.800]	56		3-102084-8
		71.12 [2.800]	73.66 [2.900]	58		3-102084-7
		73.66 [2.900]	76.20 [3.000]	60		3-102084-6
		76.20 [3.000]	78.74 [3.100]	62		3-102084-5
		78.74 [3.100]	81.28 [3.200]	64		3-102084-4
		81.28 [3.200]	83.82 [3.300]	66		3-102084-3
		83.82 [3.300]	86.36 [3.400]	68		3-102084-2
		86.36 [3.400]	88.90 [3.500]	70		3-102084-1
		88.90 [3.500]	91.44 [3.600]	72		3-102084-0
		91.44 [3.600]	93.98 [3.700]	74		2-102084-9
		93.98 [3.700]	96.52 [3.800]	76		2-102084-8
		96.52 [3.800]	99.06 [3.900]	78		2-102084-7
		99.06 [3.900]	101.6 [4.000]	80		2-102084-6
		101.6 [4.000]	104.14 [4.100]	82		2-102084-5
		104.14 [4.100]	106.68 [4.200]	84		2-102084-4
		106.68 [4.200]	109.22 [4.300]	86		2-102084-3
		109.22 [4.300]	111.76 [4.400]	88		2-102084-2
		111.76 [4.400]	114.30 [4.500]	90		2-102084-1
		114.30 [4.500]	116.84 [4.600]	92		2-102084-0
		116.84 [4.600]	119.38 [4.700]	94		1-102084-9
		119.38 [4.700]	121.92 [4.800]	96		1-102084-8
		121.92 [4.800]	124.46 [4.900]	98		1-102084-7
		124.46 [4.900]	127.00 [5.000]	100		1-102084-6
		127.00 [5.000]	129.54 [5.100]	102		1-102084-5
		129.54 [5.100]	132.08 [5.200]	104		1-102084-4
		132.08 [5.200]	134.62 [5.300]	106		1-102084-3
		134.62 [5.300]	137.16 [5.400]	108		1-102084-2
		137.16 [5.400]	139.70 [5.500]	110		1-102084-1
		139.70 [5.500]	142.24 [5.600]	112		1-102084-0
		142.24 [5.600]	144.78 [5.700]	114		102084-9
		144.78 [5.700]	147.32 [5.800]	116		102084-8
		147.32 [5.800]	149.86 [5.900]	118		102084-7
		149.86 [5.900]	152.40 [6.000]	120		102084-6
		152.40 [6.000]	154.94 [6.100]	122		102084-5
		154.94 [6.100]	157.48 [6.200]	124		102084-4
		157.48 [6.200]	160.02 [6.300]	126		102084-3
		160.02 [6.300]	162.56 [6.400]	128		102084-2
		162.56 [6.400]	165.10 [6.500]	130		102084-1

THIS DRAWING IS A CONTROLLED DOCUMENT.

DIMENSIONS: mm	TOLERANCES UNLESS OTHERWISE SPECIFIED:	0. PLC ± -	1. PLC ± -	2. PLC ± -	3. PLC ± 0.13(.005)	4. PLC ± -	ANGLES ± -	FINISH
MATERIAL		WEIGHT		SCALE		SHEET		REV

DIM: R BROWN 03JUN02
 CHK: J OLSON 03JUN02
 APVD: J OLSON 03JUN02
 NAME: AMPMODU MOD II RECEPTACLE ASSEMBLY, HORIZONTAL, .100 CL, 2 ROW, CLOSED-ENTRY, SHORT POINT OF CONTACT, END-TO-END STACKABLE
 APPLICATION SPEC: --
 SIZE: A1
 CAGE CODE: 00779
 DRAWING NO: 102084
 WEIGHT: --
 SCALE: 5:1
 SHEET: 1 of 1
 REV: AA