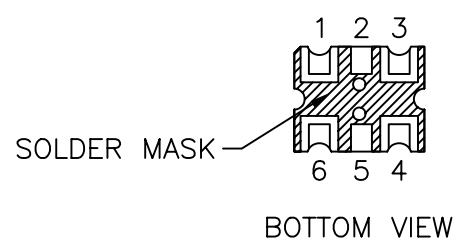
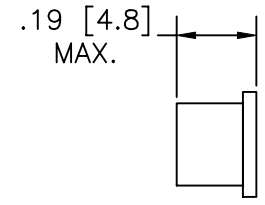
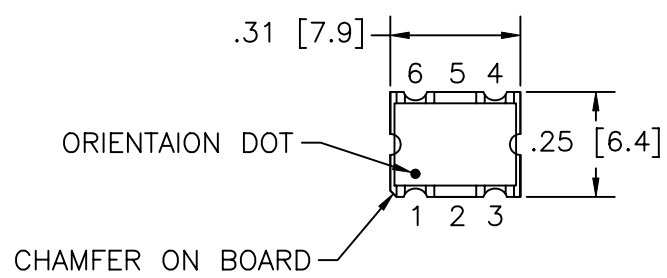


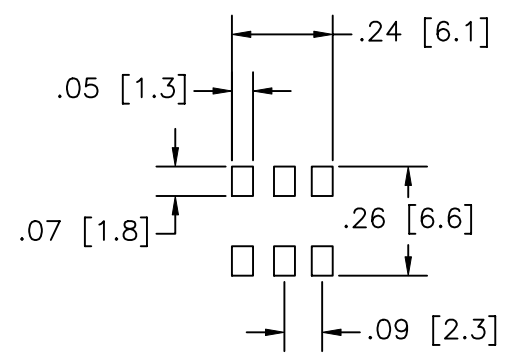
REVISION

LTR.	DESCRIPTION	DATE	APPVL.
-	ENG. RELEASED	03/23/09	MJD
A	PER ECN 1008003: ADDED CHAMFER TO BOARD	03/15/10	MJD



PIN CONFIGURATION

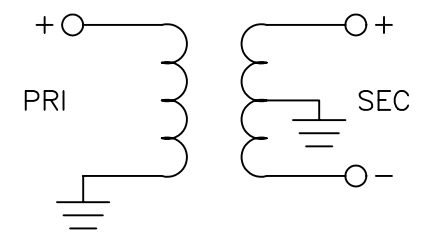
PIN	FUNCTION
3	PRIMARY
4	SECONDARY +
6	SECONDARY -



SUGGESTED PC LAYOUT

ELECTRICAL SPECIFICATION BALUN	
FREQUENCY RANGE (MHz)	1-1200
INSERTION LOSS	3.0
INPUT IMPEDANCE (OHMS) Nom.	50
OUTPUT IMPEDANCE (OHMS) Nom.	100 BALANCED
VSWR Max.	1.6:1
TEMPERATURE RANGE (°C)	-40 TO +85
INPUT POWER	1 Watt

SCHEMATIC DIAGRAM



RoHS
Compliant

UNLESS OTHERWISE SPECIFIED DRAWING PRACTICES PER MIL-STD-100		DRAWN MJD	DATE 10/30/08
TOLERANCES ANGLES ±1/2° .XX ±.01 .XXX ±.005		ENGRG APPD	DATE
SURFACE 63 / REMOVE BURRS ROUGHNESS ✓ SHARP EDGES		MFG APPD	DATE
MATERIAL: SEE NOTE 1		QA APPD	DATE
FINISH: SEE NOTE 2		RELEASED MJD	DATE 03/23/09

IFE ENGINEERING
40 PARKER ROAD, FABYAN CT 06255

TITLE
OUTLINE DRAWING
AB-005-SM

SIZE	CODE IDENT NO.	DRAWING NO.	REV.
A	OUFA1	073-098-181	A
SCALE 2:1		SHEET 1 OF 1	

NOTE:
SPECIFICATION SUBJECT TO CHANGE
WITHOUT NOTICE.