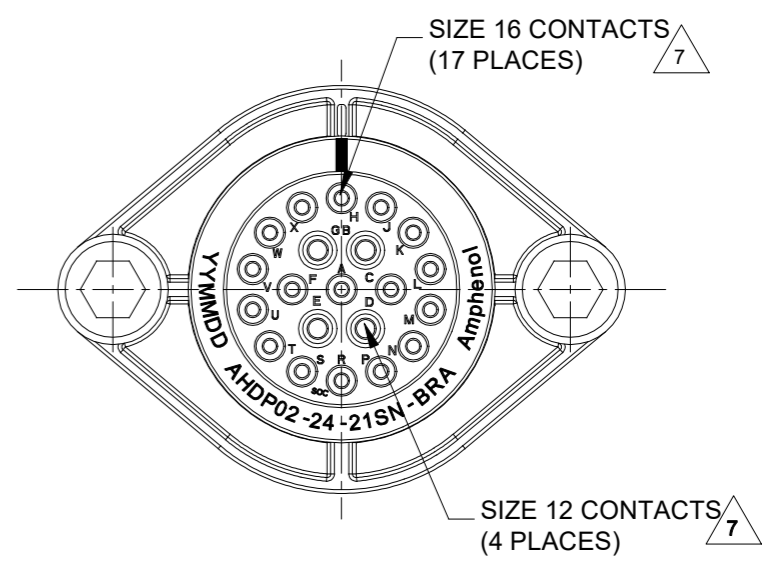
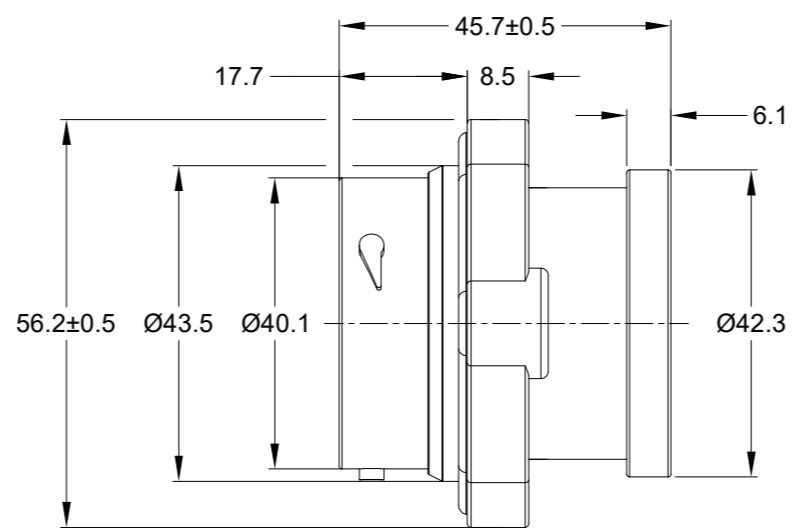
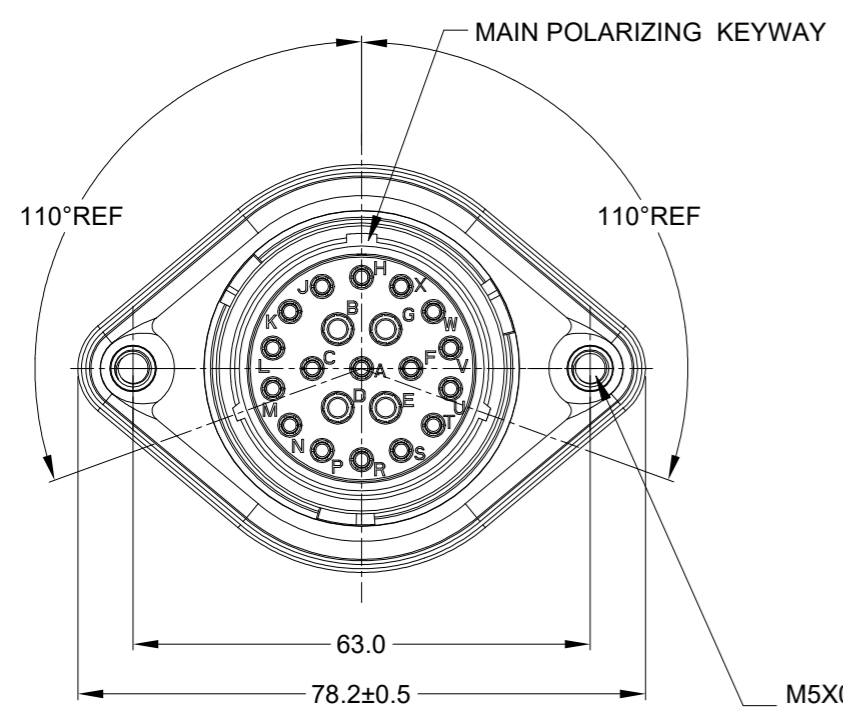
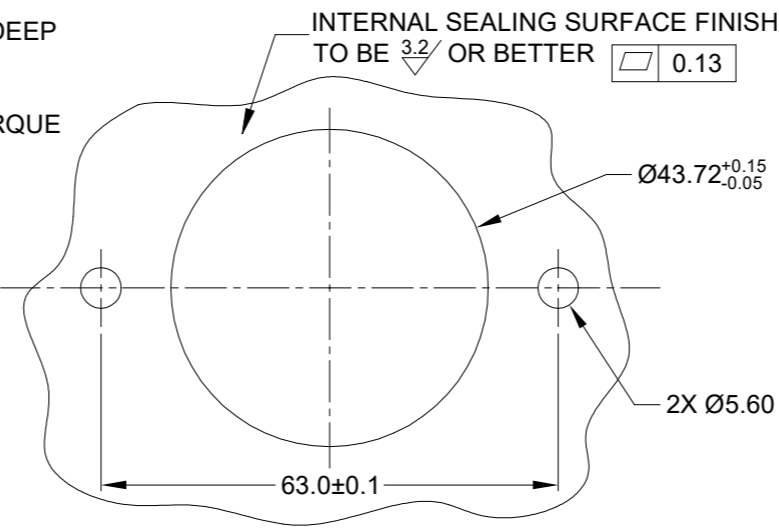


REVISIONS

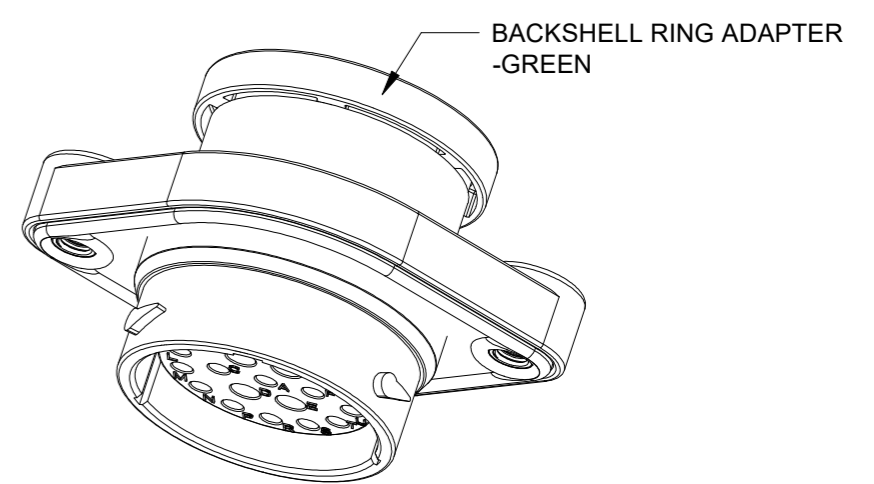
REV	ECO	DESCRIPTION	DATE	BY	APPR
A1	-	RELEASE NEW DRAWING	01/APR/22	MILO	TOMMY



M5X0.8-6H 8mm(2X) DEEP  
THREADED INSERT  
  
RECOMMENDED TORQUE  
VALUES: 1.9-2.2 N.m



RECOMMENDED PANEL  
MOUNTING HOLE  
  
RECOMMENDED PANEL  
THICKNESS: 1.6 TO 4.7MM



NOTES: UNLESS OTHERWISE SPECIFIED

- MATERIAL:  
HOUSING: THERMOPLASTIC; BLACK  
SEAL: SILICONE RUBBER  
THREADED INSERT: STAINLESS STEEL
- MODIFICATIONS: BACKSHELL RING ADAPTER (BRA);  
STANDARD DIA. WIRE SEAL  
SEALED PANEL MOUNT
- SPECIFICATIONS:  
3.1 OPERATING TEMPERATURE: -55°C TO +125°C.  
3.2 DIELECTRIC WITHSTANDING VOLTAGE: LESS THAN 2  
MILLIAMPS CURRENT LEAKAGE @ 1500 VOLTS AC.  
3.3 INSULATION RESISTANCE: 1000 MEGOHM MIN @ 25°C.  
3.4 MOISTURE RESISTANCE:  
IP68(IM OF WATER FOR A PERIOD OF 24 HOURS, MATED  
CONDITION);  
IP69K(MATED CONDITION)  
3.5 MATING CYCLE DURABILITY: 100 CYCLES  
3.6 RoHS COMPLIANT
- MATING PART: AHDP06-24-21P\* (\* = SEAL TYPE)
- ALL DIMENSIONS ARE FOR REFERENCE USE ONLY.
- RECEPTACLE IS SUPPLIED WITH DUST CAP (NOT SHOW)

CONTACT SIZE AND WIRE RANGE:

CONTACT SIZE	MIN. INSUL O.D.	MAX. INSUL O.D.	TYPICAL WIRE RANGE	CURRENT RATING
12	3.43 mm (.135 in)	4.32 mm (.170 in)	10-14 AWG (6.0-2.0mm <sup>2</sup> )	25 AMPS
16	2.54 mm (.100 in)	3.40 mm (.134 in)	14-20 AWG (2.0-0.5mm <sup>2</sup> )	13 AMPS

QUANTITY	AHDP02-24-21SN-BRA	DESCRIPTION	ITEM

**MATERIALS LIST**

SIGNATURES	DATE
DRAWN: MILO	01/APR/22
CHECKED: SULLEN	02/APR/22
ENGINEER:	
APPROVAL: TOMMY	06/APR/22

**Amphenol**  
Sine Systems - www.amphenol-sine.com  
44724 Morley Drive  
Clinton Township, MI 48036

21 POS, RECEPTACLE, SOCKET, PANELMATE  
AHDP SIZE 24, NORMAL SEAL, BRA

UNLESS OTHERWISE SPECIFIED  
1) All dimensions are in metric(mm).  
2) Tolerances are as follows:  
1 PL DEC ±0.30 Fractions ±1/64  
2 PL DEC ±0.15 Angles ±1°  
3 PL DEC ±0.08  
3) Note reference = X

MATERIAL SPECIFICATIONS:  
WEIGHT: 63.0g

PROCESS SPECIFICATIONS:

NEXT ASSY:

THIS DRAWING IS SUPPLIED FOR INFORMATION ONLY. DESIGN FEATURES, SPECIFICATIONS AND PERFORMANCE DATA SHOWN HEREON ARE THE PROPERTY OF THE AMPHENOL CORPORATION. NO RIGHTS OF REPRODUCTION ARE IMPLIED. ALL DIMENSIONS ARE SUBJECT TO NORMAL MANUFACTURING VARIATIONS.

SIZE	TYPE	DWG NO:	REVISION
B	C-	AHDP02-24-21SN-BRA	A1

SCALE: NONE DURAMATE SHEET 1 OF 1

TITLE: 21 POS RECEPTACLE SOCKET PANELMATE AHDP SIZE 24, NORMAL SEAL, BRA  
DWG NO: AHDP02-24-21SN-BRA  
REV: A1  
SH: 1  
OF: 1