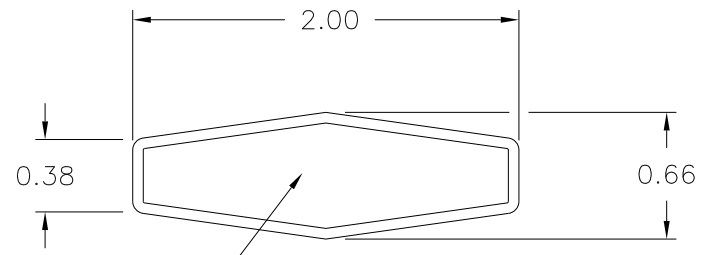


PART NAME: KNOB SCALE: 1:1 DATE: 4/18/89 DR. BY HD

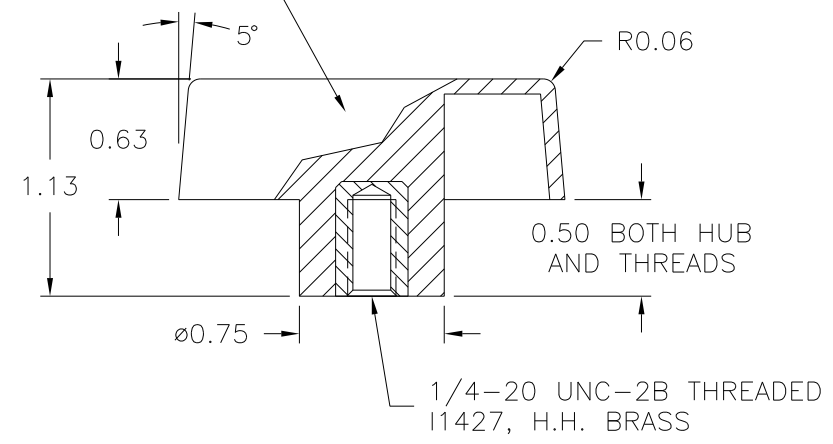
THIS DRAWING IS THE PROPERTY OF DAVIES MOLDING COMPANY, IS SUBMITTED SOLELY AS A DESIGN OR ENGINEERING PROJECT. WE ACCEPT NO RESPONSIBILITY WHATSOEVER FOR THE PRACTICAL APPLICATION OF THE PIECES MADE TO THIS DESIGN.



P/N	3089
M ^{NO.}	# 38
CAVITY	3089
CORE	3089
SLEEVE	3089
PIN	3089
ⓑ INSERT	I1427



OUTSIDE SURFACES TO HAVE COARSE TEXTURE (RE-6320)



Ⓐ MATERIAL: POLYPROPYLENE (CLD) Ⓒ
COLOR: BLACK

TOLERANCES: UNLESS OTHERWISE SPECIFIED	DO NOT SCALE DRAWING	C	ADDED MAT. CODE	DS	1/26/07
		B	REMOVED 0.020 SHIM	TS	7/16/02
DECIMALS: X.XXX ± .005 X.XX ± .015	MM: X.XX ± 0.15MM X.X ± 0.4MM	-	RE-DID REDRAW	TL	8/25/99
		A	WAS NYLON 6/6	HD	1/27/95
FRACTIONS ± 1/64	ANG. ± 1°	-	CAD REDRAW	HD	10/20/92
CHANGES					