

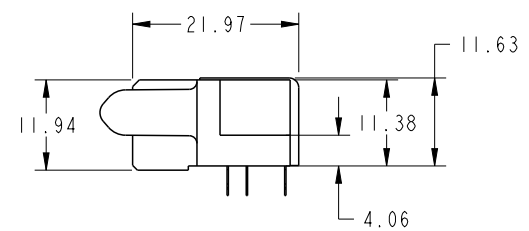
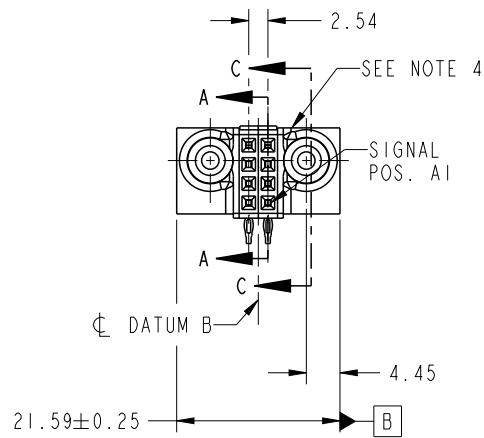
1

2

3

4

| | | | | | |
|-----------------------|------|--------|---|---|----|
| PRODUCT NO. | ROWS | SIGNAL | | | |
| | | E2 | 2 | 1 | E1 |
| 51915-460N_ NOTE 3 | D | | S | S | |
| | C | | X | X | |
| | B | | P | P | |
| | A | | N | N | |



| CODE | DIM "M" MATING LENGTH | CONTACT TYPE |
|------|-----------------------|--------------|
| S | [N/A] | SIGNAL |
| P | [N/A] | SIGNAL |
| N | [N/A] | SIGNAL |
| X | [N/A] | OMITTED |



Copyright FCI.

| | | | | | | | | | | | | | |
|---------------|---|---------------------------------------|-------|-------|-------------|------------|------------------------|--------|----------------|----------|-----------|-----|----------|
| spec ref | | SEE NOTES | | dr | De-Ming Lu | 2014/12/22 | projection | MM | size | A4 | scale | 1:1 | |
| tolerance std | | TOLERANCES UNLESS OTHERWISE SPECIFIED | | eng | De-Ming Lu | 2014/12/23 | | | product family | PwrBlade | ecn no | | - |
| SEE NOTES | | | | chr | - | - | | | | | rel level | | Released |
| surface | ✓ | linear | 0.X | ±0.50 | FCI | title | 8S | dwg no | 51915-460N | rev | A | | |
| | | | 0.XX | ±0.25 | | | | | | | | | |
| | | | 0.XXX | ±0.10 | | | | | | | | | |
| | | angular | 0° | ±2° | www.fci.com | cat. no. | Product - Customer Drw | | sheet 1 of 4 | | | | |

PrdE File - REV C - 2009-06-09

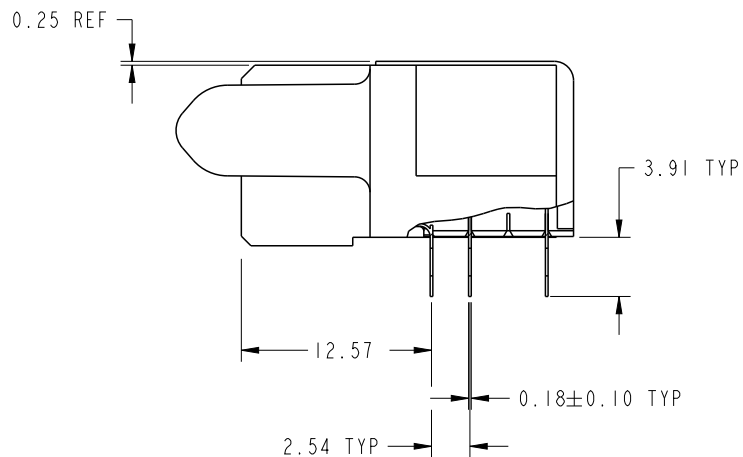
2

3

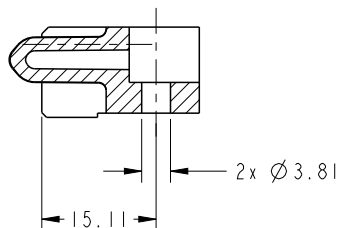
4

PRODUCT NUMBER

51915-460N--
NOTE 3



BROKEN-OUT SECTION A-A
SCALE 2:1

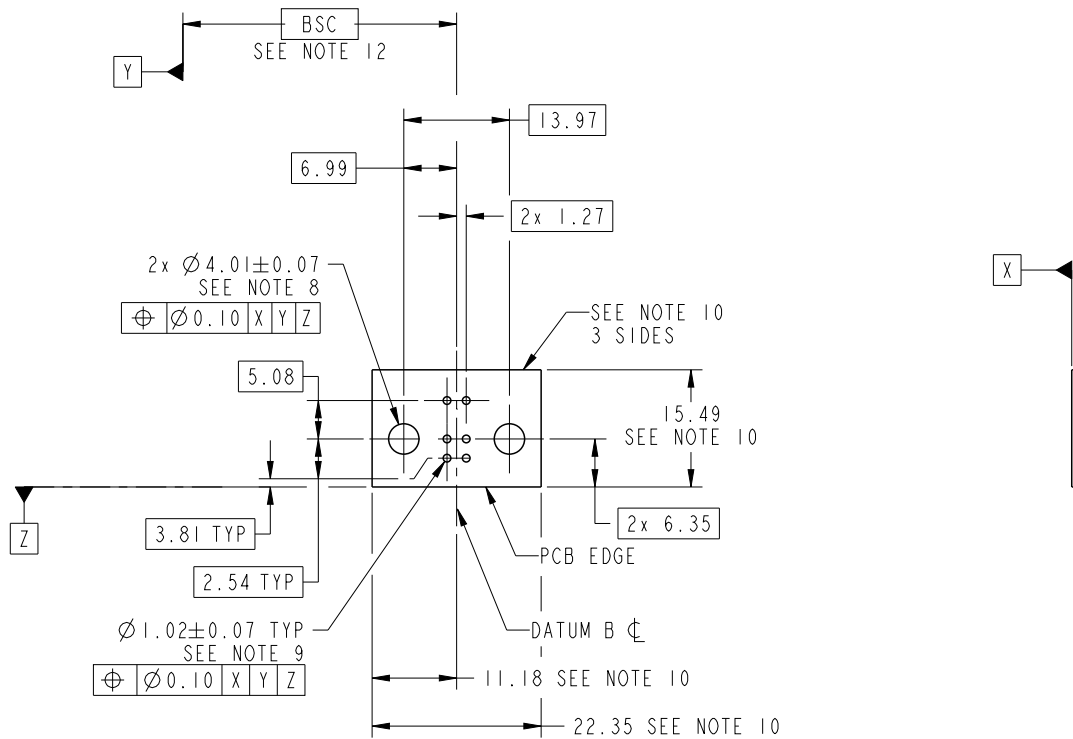


SECTION C-C

| | | | | | | | | |
|------|----------------|--------------------------|------------------------|----------|--------------|------------|-------|-----|
| dr | De-Ming Lu | 2014/12/22 | projection | MM | size | A4 | scale | 1:1 |
| eng | De-Ming Lu | 2014/12/23 | | | ecn no | - | | |
| chr | - | - | | | rel level | Released | | |
| appr | Pei-Ming Zheng | 2014/12/23 | product family | PwrBlade | rev | A | | |
| | | title | 8S | | dwg no | 51915-460N | | |
| | | cat. no. | Product - Customer Drw | | sheet 2 of 4 | | | |
| | | R/A PRESS-FIT RECEPTACLE | | | | | | |

PRODUCT NUMBER

51915-460N--
NOTE 3



RECOMMENDED PCB LAYOUT

| | | | | | | | | | |
|-------------|----------------|--------------------------|----------------|----------|-----------|------------------------|-------|--------------|---|
| dr | De-Ming Lu | 2014/12/22 | projection | MM | size | A4 | scale | 1:1 | |
| eng | De-Ming Lu | 2014/12/23 | | | ecn no | - | | | |
| chr | - | - | | | | | | | |
| appr | Pei-Ming Zheng | 2014/12/23 | product family | PwrBlade | rel level | Released | | | |
| | | title | 8S | | dwg no | 51915-460N | | rev | A |
| www.fci.com | | R/A PRESS-FIT RECEPTACLE | | cat. no. | | Product - Customer Drw | | sheet 3 of 4 | |

PRODUCT NUMBER

51915-460N--
NOTE 3

NOTES:

1. DIMENSIONS AND TOLERANCES ARE IN ACCORDANCE WITH ASME Y14.5M, 1994 UNLESS OTHERWISE SPECIFIED.

CONNECTOR NOTES:

- 2. HOUSING MATERIAL: UL 94 V-0 GLASS FILLED HIGH-TEMP THERMOPLASTIC
POWER CONTACT MATERIAL: COPPER ALLOY
SIGNAL PIN MATERIAL: COPPER ALLOY
- 3. SEE ITEM 7 & 8 IN PRINT 10064183 FOR PLATING SPEC OF 51915-460N AND 51915-460NLF RESPECTIVELY.
- 4. MANUFACTURER'S NAME, DATE CODE AND OPTIONAL P/N TO APPEAR ON THIS SURFACE. THE MARK CAN BE OMITTED IF THERE IS NOT ENOUGH SPACE ON THIS SURFACE.
- 5. PRODUCT SPECIFICATION GS-12-149.
APPLICATION SPECIFICATION BUS-20-067.
- 6. PACKAGED IN TRAYS.

PCB NOTES:

- 7. ALL HOLE DIAMETERS ARE FINISHED HOLE SIZE.
- 8. MOUNTING HOLES, WHERE APPLICABLE, ARE UNPLATED.
- 9. $\varnothing 1.151 \pm 0.025$ DRILLED HOLES PLATED WITH
0.008 MIN SnPb OR Sn OVER 0.03
TO 0.08 Cu PLATING TO ACHIEVE
 $\varnothing 1.02 \pm .07$ HOLE.
- 10. CONNECTOR KEEP-OUT ZONE.
- 11. THE VOID CORING IN BETWEEN POWER MODULES, SIGNAL MODULES AND END MODULES ARE OPTIONAL AND THE SHAPE MAY BE DIFFERENT FOR OPTIMIZE THE MOLDING PROCESS. THE VOID CORING WILL NOT EFFECT TO PRODUCT FUNCTION.
- 12. DATUM AND BASIC DIMENIONS ARE ESTABLISHED BY CUSTOMER.

| | | | | | | | | | | |
|-------------|----------------|------------|------------------------|--------|----------------|--------------|-----------|------------|-----|---|
| dr | De-Ming Lu | 2014/12/22 | projection | MM | size | A4 | scale | 1:1 | | |
| eng | De-Ming Lu | 2014/12/23 | | | ecn no | - | | | | |
| chr | - | - | | | product family | PwrBlade | rel level | Released | | |
| appr | Pei-Ming Zheng | 2014/12/23 | | | title | 8S | dwg no | 51915-460N | rev | A |
| www.fci.com | | cat. no. | Product - Customer Drw | | | sheet 4 of 4 | | | | |



Copyright FCI.