



Single Port RJ45 Connector

AR11-4526



- 10/100 Base T for LAN, WAN and other Ethernet applications
- Meets IEEE 802.3 specification
- Standard Operating Temp: 0°C +70°C

Electrical Specifications @ 25°C

OCL(μH Min) @100KHz, 0.1V With 8mA DC Bias	Turns Ratio (±2%)		Insertion Loss (dB Max)	Cross Talk (dB Min)
	TX=1CT:1CT	RX=1CT:1CT		
350	1:1	1:1	1-100MHz -1.0	1-100MHz -30

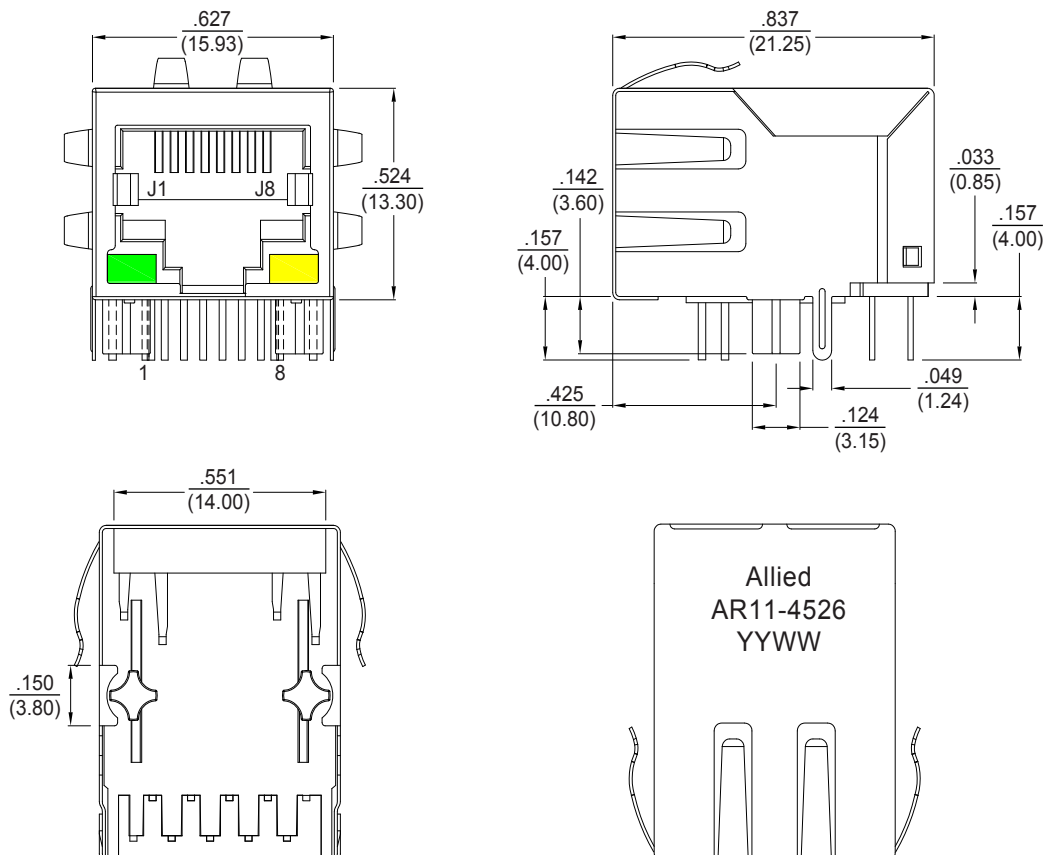
Electrical Specifications @ 25°C

Return Loss (dB Min)			CMR (dB Min)	Hi-Pot
1-30MHz	30-60MHz	60-800MHz	1-100MHz	
-18	-16	-12	-30	1500Vrms

All specifications subject to change without notice.

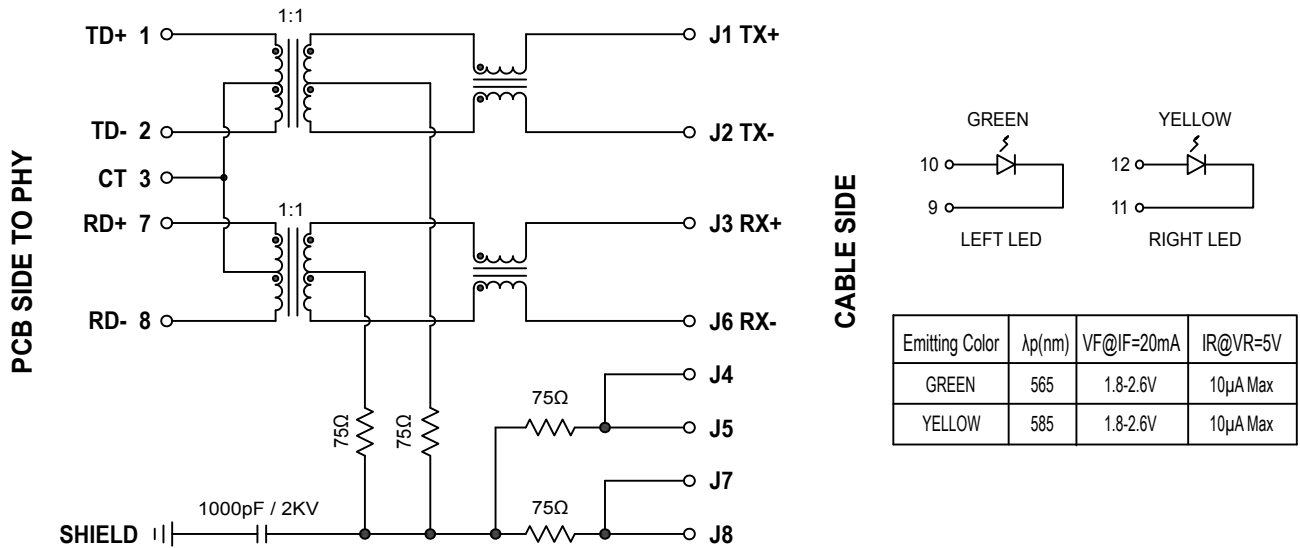
MECHANICAL

Dimensions:  $\frac{\text{inch}}{\text{mm}}$



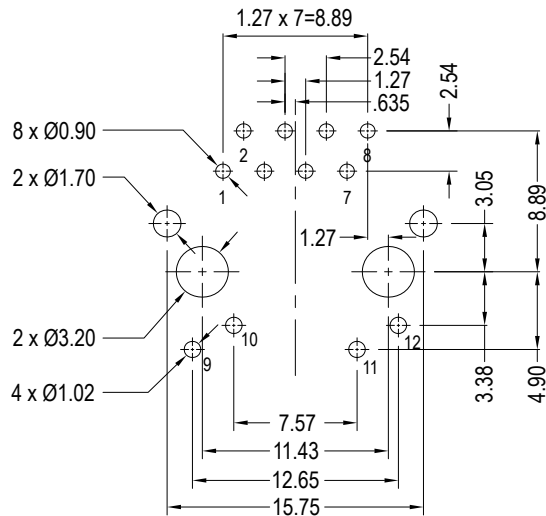


**SCHEMATIC**



**PCB LAYOUT**

Dimensions: mm



Tolerance is ±0.2mm unless otherwise specified

**NOTES**

- Connector Materials:  
 Housing: Thermoplastic PBT+30% G.F. UL94V-0  
 Contact: Phosphor Bronze C5210R-EH Thickness = 0.35mm  
 Pins: Brass C2680R-H Thickness = 0.35mm  
 Shield: SUS 201-1/2H Thickness = 0.20mm  
 Contact Plating: Gold 6μ" min. in contact area
- Wave solder tip temperature: 265°C max, 5 sec. max