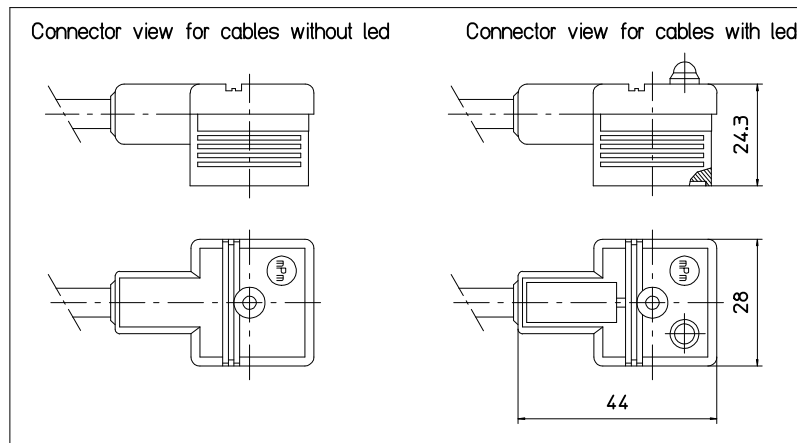
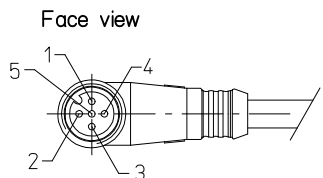
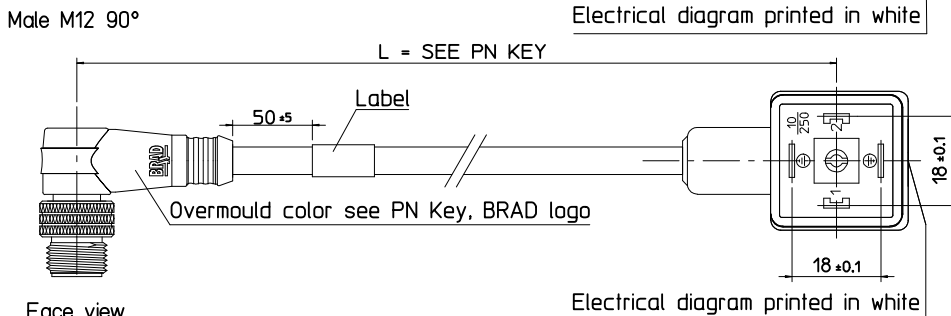
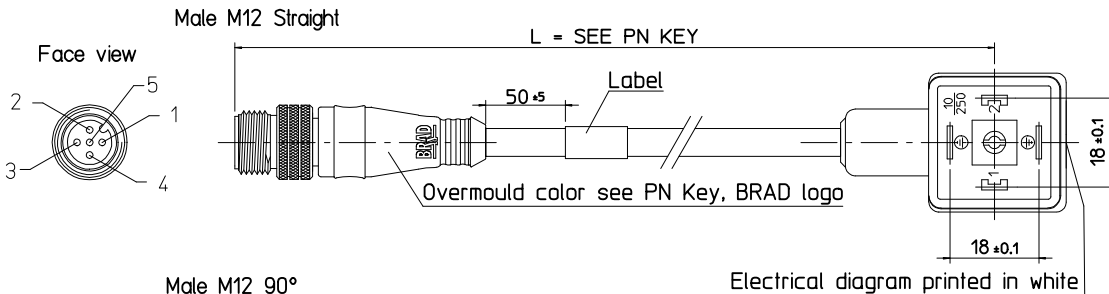
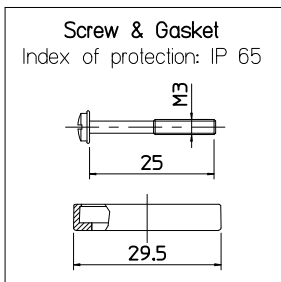
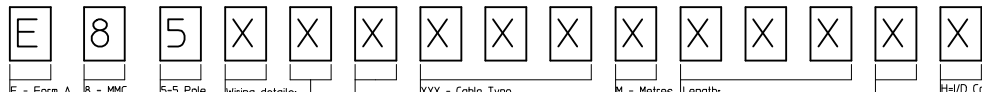


| Over | Up to and including | Tolerance |
|-------|---------------------|-----------|
| 0 | 1000 | ±20 |
| 1000 | 3000 | ±30 |
| 3000 | 5000 | ±40 |
| 5000 | 10000 | ±50 |
| 10000 | 15000 | ±100 |
| 15000 | 20000 | ±150 |
| 20000 | | ±L/100 |



PART No MATRIX - PN Key

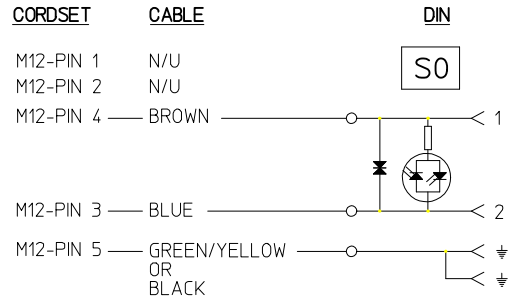


- E** = Form A (18mm contact spacing)
- 8** = MMC Single Keyway
- 5** = 5-Pole
- Wiring details:**
0 = Positive Switching (pin 3&4)
1 = Negative Switching (pin 1&4)
- Electrical configuration:**
0 = Without LED/Without circuit
A = S0 24V Yellow LED
B = C4 24V Yellow LED
C = S0 110V Yellow LED
D = C4 110V Yellow LED
E = S0 24V Green LED
F = C4 24V Green LED
G = S0 110V Green LED
H = C4 110V Green LED
J = S0 24V Red LED
K = C4 24V Red LED
L = S0 110V Red LED
M = C4 110V Red LED
S = C4 230V Yellow LED
- XXX** = Cable Type
DN Earth Position - o'clock & M12 connector body:
0 = Earth H6/H12, MALE Straight
2 = Earth H6/H12, MALE 90°
- M** = Metres
F = Feet
- Length:**
020-2 Meters
050-5 Meters
200-20 Meters
- OPTIONS**
H/H/D Carrier
H12 Overmoulding color:
Blank-Black Standard
Y=Yellow
A=Grey
- Coupling Nut Material:**
Blank-Standard
1=Stainless Steel
5=Delrin
7=Teflon coat

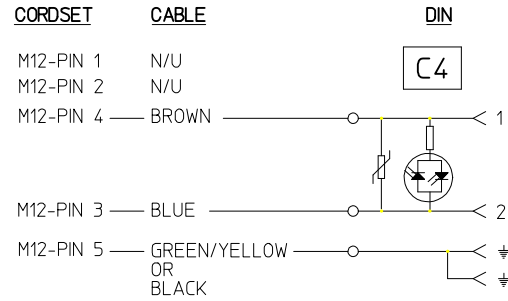
| | | | | | | | | |
|---|-------------------------------|--|-------|-----------------------------------|---|---|--------------|------------------------|
| ADD CABLE B31 EC NO: IPG2014-0850 DRWN: JMARSZALEK 2013/06/20 CHKD: MSZWAJKOWSKI 2013/11/07 APPR: MIWASIECZKO 2013/11/08 | QUALITY SYMBOLS ▽=0 ▽=0 | GENERAL TOLERANCES (UNLESS SPECIFIED) | | DIMENSION STYLE MM ONLY | | SCALE | DESIGN UNITS | FIRST ANGLE PROJECTION |
| | | mm | INCH | DRAWN BY | DATE | TITLE | METRIC | |
| REV DESCRIPTION | 4 PLACES | ± --- | ± --- | JMARSZALEK | 2012/11/08 | E85XXXXXXXXXX DIN A + CORDSETS M12 molex DOCUMENT NO. SD-121036-001 SHEET NO. 1 OF 3 | | |
| | 3 PLACES | ± --- | ± --- | CHECKED BY | DATE | | | |
| | 2 PLACES | ± --- | ± --- | MSZWAJKOWSKI | 2012/11/08 | | | |
| | 1 PLACE | ± --- | ± --- | APPROVED BY | DATE | | | |
| | 0 PLACE | ± --- | ± --- | MIWASIECZKO | 2012/11/09 | | | |
| | | ANGULAR ± --- ° | | MATERIAL NO. | | | | |
| | | DRAFT WHERE APPLICABLE MUST REMAIN WITHIN DIMENSIONS | | SEE SHEET 3 | | | | |
| | | | | SIZE | THIS DRAWING CONTAINS INFORMATION THAT IS PROPRIETARY TO MOLEX INCORPORATED AND SHOULD NOT BE USED WITHOUT WRITTEN PERMISSION | | | |

Electrical diagrams

Electrical diagram with circuit S0 (zener diode) for:



Electrical diagram with circuit C4 (VDR) for:



Cable type

| Cable Type | Jacket Material | Jacket Color | Wire cross section | Braid |
|------------|-----------------|--------------|---------------------|-------|
| A23 | PVC | Black | 0.75mm ² | no |
| A58 | PVC | Black | 20AWG | no |
| B08 | PUR | Yellow | 18AWG | no |
| E03 | PVC | Black | 0.34mm ² | no |
| E12 | PVC | Black | 0.5mm ² | no |
| I12 | CEI PVC | Grey | 0.5mm ² | no |
| P12 | PUR | Black | 0.5mm ² | no |
| P82 | PUR IRR | Orange | 0.34mm ² | no |
| S26 | PVC | Yellow | 0.34mm ² | yes |
| B31 | PUR | Black | 0.5mm ² | no |

| | | | | | | | |
|--|-----------------|--|-----------------|---|---------------------------------------|------------------------|--|
| ADD CABLE B31 EC NO: IPG2014-0850 DRWN: JMARSZALEK 2013/06/20 CHKD: MSZWAJKOWSKI 2013/11/07 APPR: MIWASIECZKO 2013/11/08 | QUALITY SYMBOLS | GENERAL TOLERANCES (UNLESS SPECIFIED) | DIMENSION STYLE | SCALE | DESIGN UNITS | FIRST ANGLE PROJECTION | |
| | =0 =0 | mm INCH 4 PLACES ± --- ± --- 3 PLACES ± --- ± --- 2 PLACES ± --- ± --- 1 PLACE ± --- ± --- 0 PLACE ± --- ± --- | MM ONLY | 1:1 | METRIC | | |
| | DESCRIPTION | ANGULAR ± --- ° | DRAWN BY | DATE | TITLE | | |
| | | DRAFT WHERE APPLICABLE MUST REMAIN WITHIN DIMENSIONS | JMARSZALEK | 2012/11/08 | E85XXXXXXXXXX DIN A + CORDSETS M12 | | |
| | | | CHECKED BY | DATE | | | |
| | | MSZWAJKOWSKI | 2012/11/08 | | | | |
| | | APPROVED BY | DATE | DOCUMENT NO. | | | |
| | | MIWASIECZKO | 2012/11/09 | SD-121036-001 | | | |
| | | MATERIAL NO. | | SHEET NO. | | | |
| | | SEE SHEET 3 | | 2 OF 3 | | | |
| | | SIZE | | THIS DRAWING CONTAINS INFORMATION THAT IS PROPRIETARY TO MOLEX INCORPORATED AND SHOULD NOT BE USED WITHOUT WRITTEN PERMISSION | | | |
| | | A3 | | | | | |

PART LIST

| Pos. | Molex PN: | Engineering No.: | Pos. | Molex PN: | Engineering No.: | Pos. | Molex PN: | Engineering No.: | Pos. | Molex PN: | Engineering No.: | Pos. | Molex PN: | Engineering No.: |
|------|------------|------------------|------|------------|------------------|------|------------|------------------|------|------------|------------------|------|-----------|------------------|
| 1 | 1210350133 | E85000P12M006 | 41 | 1210360356 | E850B0P12M030 | 81 | 1210360678 | E850B2E12M003 | 121 | 1210360893 | E850B0B31M006 | 161 | | |
| 2 | 1210350148 | E85000P12M020 | 42 | 1210360399 | E850B0P12M003 | 82 | 1210360686 | E850A2A58M010 | 122 | 1210360894 | E850B0B31M010 | 162 | | |
| 3 | 1210350156 | E85000P12M010 | 43 | 1210360453 | E850B0P12M012 | 83 | 1210360694 | E850A0A58M006 | 123 | 1210360895 | E850B0B31M015 | 163 | | |
| 4 | 1210350157 | E85000P12M030 | 44 | 1210360454 | E850B0P12M013 | 84 | 1210360696 | E85002E12M003 | 124 | 1210360896 | E850B0B31M030 | 164 | | |
| 5 | 1210350201 | E85000E12M010 | 45 | 1210360455 | E850B0P12M014 | 85 | 1210360708 | E850B0A23M030 | 125 | 1210360897 | E850B2B31M006 | 165 | | |
| 6 | 1210350202 | E85002P12M015 | 46 | 1210360456 | E850B0P12M017 | 86 | 1210360719 | E850B2A23M017 | 126 | 1210360898 | E850B2B31M010 | 166 | | |
| 7 | 1210350207 | E85000E12M003 | 47 | 1210360457 | E850B2P12M005 | 87 | 1210360725 | E850D0A23M030 | 127 | 1210360899 | E850B2B31M015 | 167 | | |
| 8 | 1210350208 | E85000E12M006 | 48 | 1210360458 | E850D0P12M010 | 88 | 1210360743 | E850B2I12M006 | 128 | 1210360900 | E850B2B31M030 | 168 | | |
| 9 | 1210350209 | E85000P12M003 | 49 | 1210360491 | E850A0A58M010 | 89 | 1210360745 | E850B0I12M006 | 129 | 1210361900 | E850B0A23M015 | 169 | | |
| 10 | 1210350210 | E85000P82M030 | 50 | 1210360492 | E850A0A58M015 | 90 | 1210360754 | E850A0A58M005 | 130 | | | 170 | | |
| 11 | 1210350242 | E85002E12M006 | 51 | 1210360493 | E850A0A58M030 | 91 | 1210360756 | E85002E12M030 | 131 | | | 171 | | |
| 12 | 1210350290 | E85000E12M030 | 52 | 1210360494 | E850A0A58M050 | 92 | 1210360771 | E850A0P12M030 | 132 | | | 172 | | |
| 13 | 1210350291 | E85000E12M050 | 53 | 1210360495 | E850A0A58M100 | 93 | 1210360772 | E850A0P12M040 | 133 | | | 173 | | |
| 14 | 1210350292 | E85000P12M100 | 54 | 1210360496 | E850B2B08M030 | 94 | 1210360773 | E850A0P12M100 | 134 | | | 174 | | |
| 15 | 1210350309 | E85002A23M020 | 55 | 1210360497 | E850B2P12M025G | 95 | 1210360774 | E850A2P12M010 | 135 | | | 175 | | |
| 16 | 1210350310 | E85002A23M030 | 56 | 1210360542 | E850B0E12M0155 | 96 | 1210360775 | E850A2P12M015 | 136 | | | 176 | | |
| 17 | 1210350311 | E85002A23M040 | 57 | 1210360557 | E850B0E12M006 | 97 | 1210360776 | E850A2P12M020 | 137 | | | 177 | | |
| 18 | 1210350313 | E85000P12M017 | 58 | 1210360558 | E850B0E12M030 | 98 | 1210360788 | E850D0P12M006 | 138 | | | 178 | | |
| 19 | 1210350326 | E85000P12M050 | 59 | 1210360559 | E850B0E12M050 | 99 | 1210360789 | E850D0P12M020 | 139 | | | 179 | | |
| 20 | 1210350339 | E85002P12M020 | 60 | 1210360560 | E850B0P12M0201 | 100 | 1210360795 | E850A0P12M006 | 140 | | | 180 | | |
| 21 | 1210350348 | E85000P12M015 | 61 | 1210360574 | E850B0E12M020 | 101 | 1210360796 | E850C0P12M006 | 141 | | | 181 | | |
| 22 | 1210350349 | E85000P12M009 | 62 | 1210360576 | E850B2E12M010 | 102 | 1210360797 | E850A0P12M010 | 142 | | | 182 | | |
| 23 | 1210360178 | E850A0P12M020 | 63 | 1210360585 | E850A0A58M020 | 103 | 1210360798 | E850C0P12M010 | 143 | | | 183 | | |
| 24 | 1210360184 | E850B0I12M010 | 64 | 1210360586 | E850B0A58M020 | 104 | 1210360799 | E850C0P12M020 | 144 | | | 184 | | |
| 25 | 1210360186 | E850B0I12M020 | 65 | 1210360588 | E850B0B08M003 | 105 | 1210360813 | E850A0A58M007 | 145 | | | 185 | | |
| 26 | 1210360187 | E850B0I12M030 | 66 | 1210360589 | E850B0B08M010 | 106 | 1210360815 | E850B0I12M010Y | 146 | | | 186 | | |
| 27 | 1210360192 | E850B0P12M006 | 67 | 1210360590 | E850B0B08M020 | 107 | 1210360816 | E850B0I12M020Y | 147 | | | 187 | | |
| 28 | 1210360193 | E850B0P12M010 | 68 | 1210360593 | E850B0P12M040 | 108 | 1210360817 | E850B0I12M030Y | 148 | | | 188 | | |
| 29 | 1210360194 | E850B0P12M015 | 69 | 1210360594 | E850B0P12M100 | 109 | 1210360819 | E850B0I12M006Y | 149 | | | 189 | | |
| 30 | 1210360195 | E850B0P12M020 | 70 | 1210360595 | E850B0S26M010H | 110 | 1210360821 | E850B2P12M015 | 150 | | | 190 | | |
| 31 | 1210360196 | E850B0P12M050 | 71 | 1210360596 | E850B2E12M006 | 111 | 1210360844 | E850B0P12M021 | 151 | | | 191 | | |
| 32 | 1210360198 | E850B0S26M015 | 72 | 1210360601 | E850K0E12M010 | 112 | 1210360845 | E850B0P12M024 | 152 | | | 192 | | |
| 33 | 1210360199 | E850B0S26M020 | 73 | 1210360627 | E850B0E12M010 | 113 | 1210360846 | E850B0P12M027 | 153 | | | 193 | | |
| 34 | 1210360203 | E850B2I12M010 | 74 | 1210360628 | E850B0S26M015H | 114 | 1210360847 | E850B0P12M058 | 154 | | | 194 | | |
| 35 | 1210360206 | E850B2I12M050 | 75 | 1210360629 | E850B2P12M0105 | 115 | 1210360848 | E850B0P12M080 | 155 | | | 195 | | |
| 36 | 1210360208 | E850B2P12M006 | 76 | 1210360651 | E850B2P12M020H | 116 | 1210360849 | E850B0P12M085 | 156 | | | 196 | | |
| 37 | 1210360209 | E850B2P12M010 | 77 | 1210360658 | E850B0A58M006 | 117 | 1210360850 | E850B0P12M090 | 157 | | | 197 | | |
| 38 | 1210360210 | E850B2P12M020 | 78 | 1210360659 | E850B0A58M015 | 118 | 1210360853 | E850B2P12M003 | 158 | | | 198 | | |
| 39 | 1210360211 | E850B2P12M030 | 79 | 1210360667 | E850A0A58M070 | 119 | 1210360857 | E850B0P12M010H | 159 | | | 199 | | |
| 40 | 1210360212 | E850B2P12M050 | 80 | 1210360675 | E850C0A58M100 | 120 | 1210360858 | E850B0P12M020H | 160 | | | 200 | | |

| | | | | | | |
|---|-----------------|--|---|---|--------------|--|
| ADD NEW PN EC NO: IPG2014-0850 DRWN: JMARSZALEK 2013/06/20 CHKD: MSZWAJKOWSKI 2013/11/07 APPR: MIWASIECZKO 2013/11/08 | QUALITY SYMBOLS | GENERAL TOLERANCES (UNLESS SPECIFIED) | DIMENSION STYLE | SCALE | DESIGN UNITS | FIRST ANGLE PROJECTION |
| | ▼ = 0 ◻ = 0 | mm INCH 4 PLACES ± --- ± --- 3 PLACES ± --- ± --- 2 PLACES ± --- ± --- 1 PLACE ± --- ± --- 0 PLACE ± --- ± --- | MM ONLY | 1:1 | METRIC | DRAWN BY: JMARSZALEK DATE: 2012/11/08 CHECKED BY: MSZWAJKOWSKI DATE: 2012/11/08 APPROVED BY: MIWASIECZKO DATE: 2012/11/09 |
| | | ANGULAR ± --- ° | TITLE | E85XXXXXXXXXX DIN A + CORDSETS M12 | | |
| | | DRAFT WHERE APPLICABLE MUST REMAIN WITHIN DIMENSIONS | SEE SHEET 3 | molex DOCUMENT NO. SD-121036-001 SHEET NO. 3 OF 3 | | |
| | | | THIS DRAWING CONTAINS INFORMATION THAT IS PROPRIETARY TO MOLEX INCORPORATED AND SHOULD NOT BE USED WITHOUT WRITTEN PERMISSION | | | |