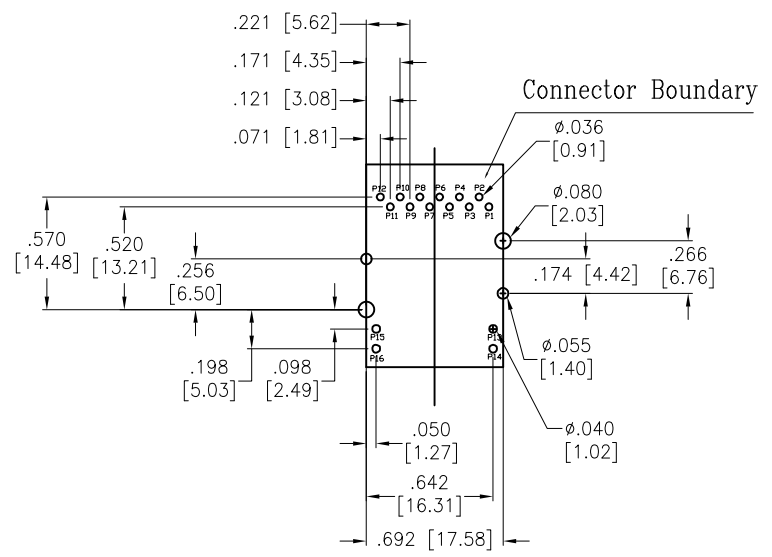
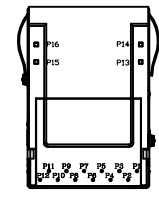
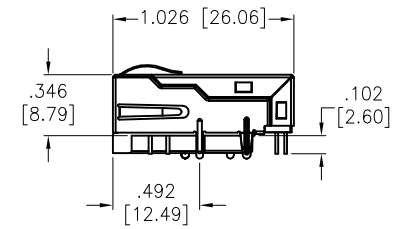
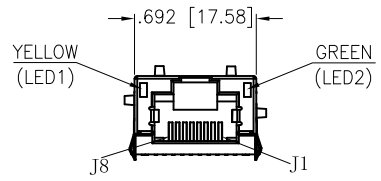


Rev	AWO #	Description	Date	Appr
-		RELEASED	8/20/19	

APPROVED: _____
DATE: _____ TITLE: _____



RECOMMENDED PCB LAYOUT



SPECIFICATIONS:
Material:
Housing: Thermoplastic, rated UL 94V-0, Color: Black
Contacts: Phosphor Bronze
Shield: Brass, Nickel plated
Plating:
Round contact
Gold over Nickel underplate overall
Flat contact
Gold over Nickel underplate on contact area,
Tin over Nickel underplate on solder tails

Electrical:
Voltage rating: 150 VAC
Contact Resistance: 20 mohms max
Insulation resistance: 500 Mohms min
Dielectric withstanding voltage: 2250 VDC minimum for 1 minute
Temperature Rating:
Operating temperature: -40°C to +85°C

Agency Certifications:
UL Recognized
Environmental:
Lead free, RoHS compliant.



UNLESS OTHERWISE SPECIFIED
ALL DIMENSIONS ARE INCHES [MM]
TOLERANCES: EXCEPT AS NOTED

INCHES		HOLES	
.X	± .10	Ø.X	± .10
.XX	± .020	Ø.XX	± .015
.XXX	± .015	Ø.XXX	± .010

ADAM TECH INTERCONNECTS
909 Rahway Avenue,
Union, NJ 07083
Phone: 908-687-5000
Fax: 908-687-5710

APPROVALS		DATE
DRAWN	OW	8/20/19
CHECKED	IW	8/20/19
APPROVED		

TITLE		
MODULAR TELEPHONE JACK, 1 PORT, 8P8C, FULL SHIELDED W/ LED1 YELLOW, LED2 GREEN, 5G BASE-T		
SIZE	PART NO.	REV.
X	MTJ-88BAX1-FS-PG-LG-M383C-WOT	-
REF:	S00005C	SCALE: NTS
		SHEET 1 OF 2

6 5 4 3 2 1

APPROVED: _____
 DATE: _____ TITLE: _____

Rev	AWO #	Description	Date	Appr
SEE SHT 1 OF 2 FOR REVISION				

Circuit Schematic:

MD1+ P1
 CT1 P3
 MD1- P2

MD2+ P4
 CT2 P6
 MD2- P5

MD3+ P7
 CT3 P9
 MD3- P8

MD4+ P10
 CT4 P12
 MD4- P11

J1 MX1-
 J2 MX1-
 J3 MX2-
 J6 MX2-
 J4 MX3-
 J5 MX3-
 J7 MX4-
 J8 MX4-

SHIELD CAP 1000pF

4*75OHMS

P16
 P15
 P14
 P13

Pin	Green	Yellow	
P13	-	P15	-
P14	+	P16	+

Electronical Specifications:

PARAMETER	SPECIFICATIONS		
URNS RATIO	1.00 ± 2%		
POLARITY	PER SCHEMATIC		
INSERTION LOSS	1-50MHz	50-125MHz	125-250MHz
	-0.5 dB MIN	-1.2 dB MIN	-2 dB MIN
RETURN LOSS	1-40 MHz	40-250 MHz	
	-16 dB MIN	-16+10Log10(f/40) 40<f<=250 dB	
COMMON MODE REJECTION RATIO	1-40 MHz	40-100 MHz	100-250 MHz
	-30 dB MIN	-28 dB MIN	-26 dB MIN
DIFFERENTIAL MODE TO COMMON MODE ATTENUATION	1-250 MHz		
	-30dB MIN		
INDUCTANCE (OCL)	120uH MIN @100KHZ,0.1V 8mA		
INPUT - OUTPUT ISOLATION	2250 VDC MINIMUM FOR 60 SECONDS		

NOTE: f IS FREQUENCY IN MHz

UNLESS OTHERWISE SPECIFIED ALL DIMENSIONS ARE INCHES [MM] TOLERANCES: EXCEPT AS NOTED INCHES HOLES .X ± .10 Ø.X ± .10 .XX ± .020 Ø.XX ± .015 .XXX ± .015 Ø.XXX ± .010		ADAM TECH INTERCONNECTS		909 Rahway Avenue, Union, NJ 07083 Phone: 908-687-5000 Fax: 908-687-5710
		TITLE MODULAR TELEPHONE JACK, 1 PORT, 8P8C, FULL SHIELDED W/ LED1 YELLOW, LED2 GREEN, 5G BASE-T		
APPROVALS	DATE	SIZE	PART NO.	REV.
DRAWN OW	8/20/19	X	MTJ-88BAX1-FS-PG-LG-M383C-WOT	-
CHECKED IW	8/20/19	REF: S00005C	SCALE: NTS	SHEET 2 OF 2
APPROVED				

6 5 4 3 2 1