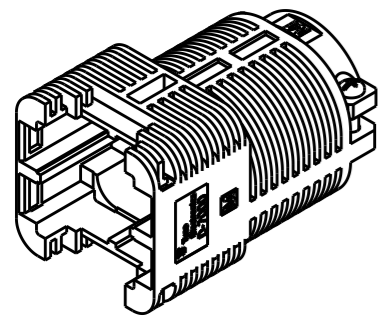
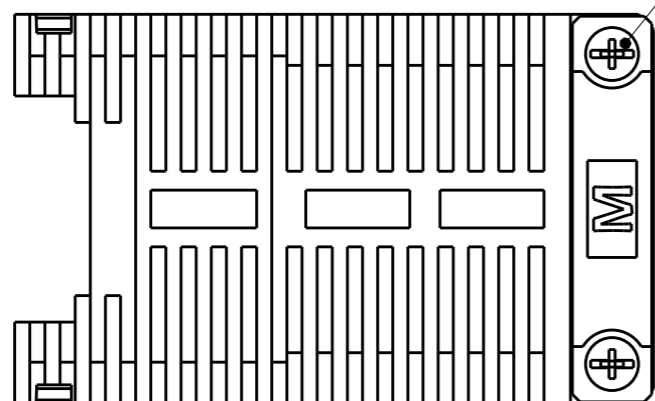


LOC	DIST	REVISIONS					
		P	LTR	DESCRIPTION	DATE	DWN	APVD
J	-		D	REVISED	07JAN2013	H.U	N.Y

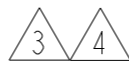
CLAMP COVER ASSY



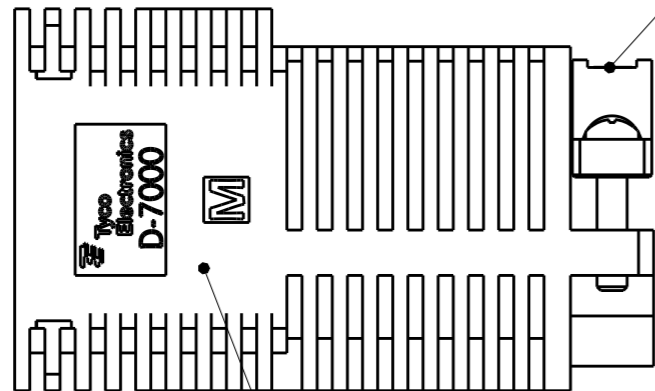
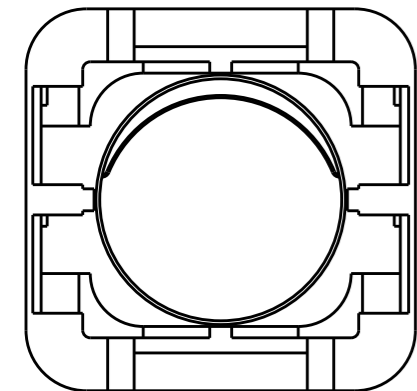
SCALE 1:2



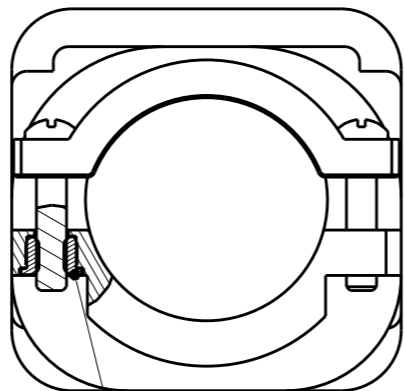
SCREW M4
STEEL (FINISH: BLACK OXIDE)



CLAMP SADDLE HSG
GF THERMOPLASTIC 94V-0



CLAMP COVER HSG
GF THERMOPLASTIC 94V-0



INSERT NUT M4
BRASS



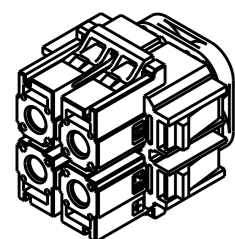
1. THE SHAPE, SIZE AND POSITION OF THE CHARACTER SHOW THE OUTLINE. THEY DON'T SHOW DETAILS.
 2. CONTACT OUR SALES ABOUT ANOTHER KEYING PRODUCT.
- MATERIAL.
 FINISH.

AS SHOWN : 1-2069313-1

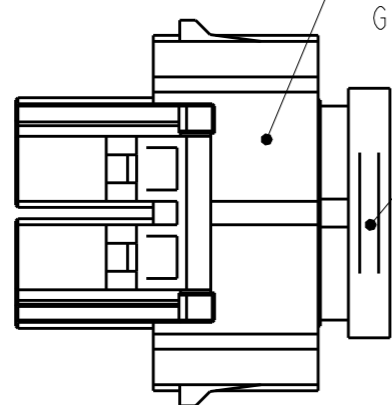
APPLICATED CABTIRE CABLE
INSULATION DIA
SIZE S : $\varnothing 19\sim 25$
SIZE M : $\varnothing 25\sim 31$

APPLICATED SOCKET CONTACTS
1871132-*

SOCKET HSG ASSY



SCALE 1:2

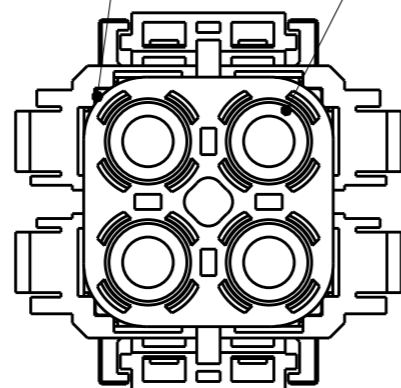
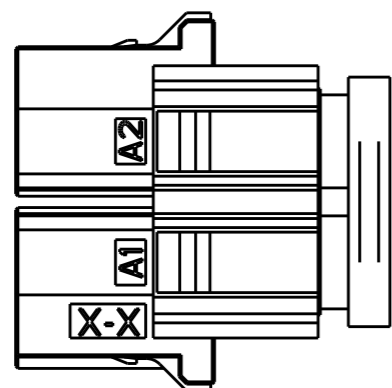
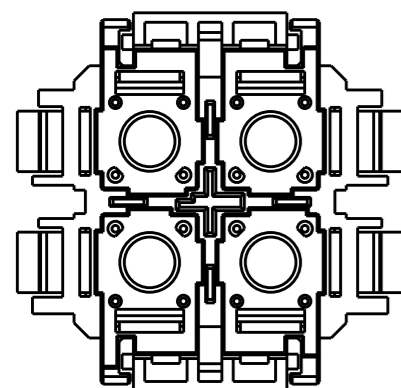


SOCKET BODY HSG
GF THERMOPLASTIC 94V-0

CYLINDER HSG
GF THERMOPLASTIC 94V-0

PLATE COVER HSG
GF THERMOPLASTIC 94V-0

RETENTION PLATE
STAINLESS STEEL



THIS DRAWING IS A CONTROLLED DOCUMENT.

DIMENSIONS: mm	TOLERANCES UNLESS OTHERWISE SPECIFIED: $\pm 1.0, \pm 5^\circ$
	0-PLC \pm
	1-PLC ± 0.1
	2-PLC ± 0.01
	3-PLC ± 0.001
	4-PLC ± 0.0001
	ANGLES \pm
MATERIAL 	FINISH

DWN	M. MAEBASHI	31 JUL 2010
CHK	N. YAMASAKI	31 JUL 2010
APVD	N. YAMASAKI	31 JUL 2010
PRODUCT SPEC	108-78470	
APPLICATION SPEC	114-5452	
WEIGHT	-	
CUSTOMER DRAWING		

XX	25~31	1-2069313-1
XX	19~25	2-2069313-1
KEY	APPLICATED INSULATION DIA	PART NO



NAME DYNAMIC D7000 SERIES DYNA-CLAMP KIT 7100 TYPE			
SIZE	CAGE CODE	DRAWING NO	RESTRICTED TO
A3	00779	C-2069313	-
SCALE 1:1		SHEET 1 OF 2	REV D

THIS DRAWING IS UNPUBLISHED.

RELEASED FOR PUBLICATION

20

© COPYRIGHT 20

BY Tyco Electronics Japan G.K.

ALL RIGHTS RESERVED.

LOC J

DIST -

REVISIONS

P

LTR

DESCRIPTION

DATE

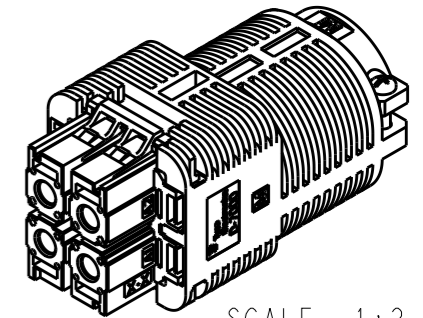
DWN

APVD

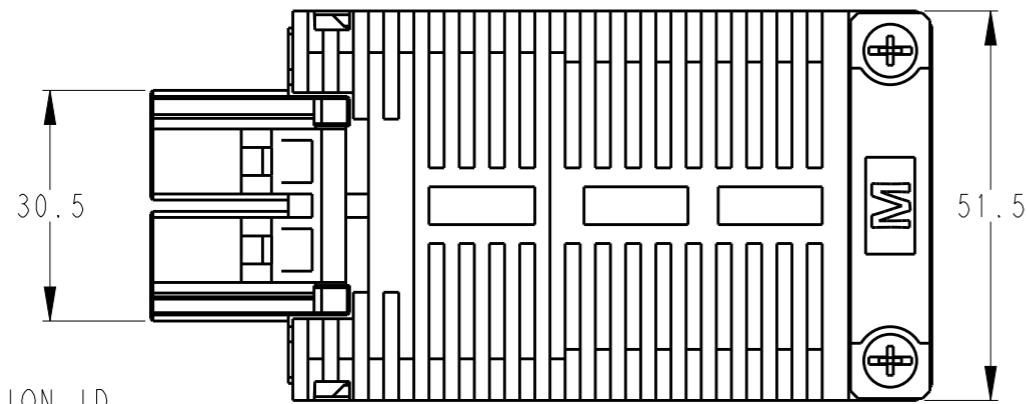
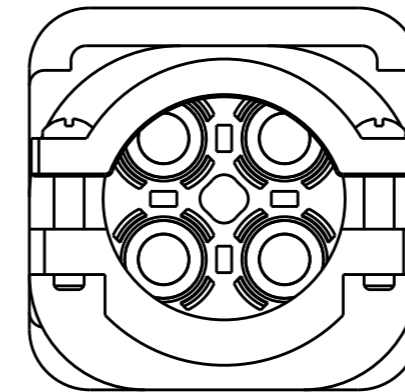
SEE SHEET 1 OF 2

AS SHOWN : 1-2069313-1

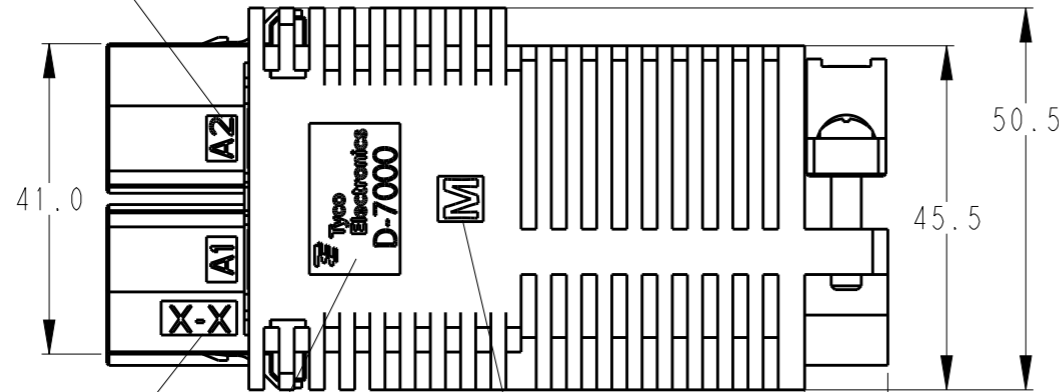
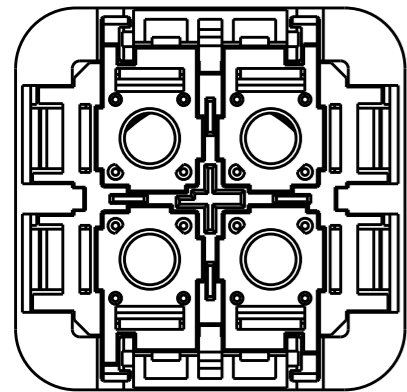
APPLICATED CABTIRE CABLE
INSULATION DIA
SIZE S : Ø19~25
SIZE M : Ø25~31



SCALE 1:2



POSITION ID

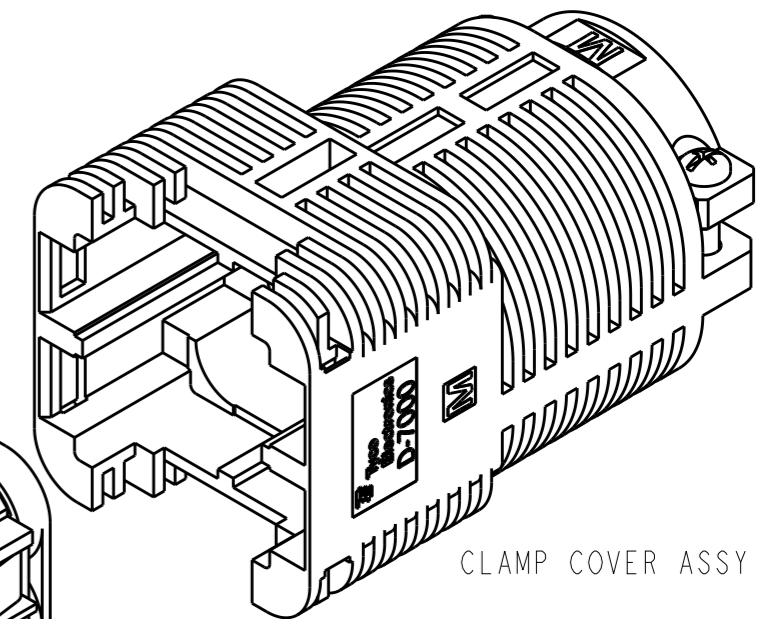
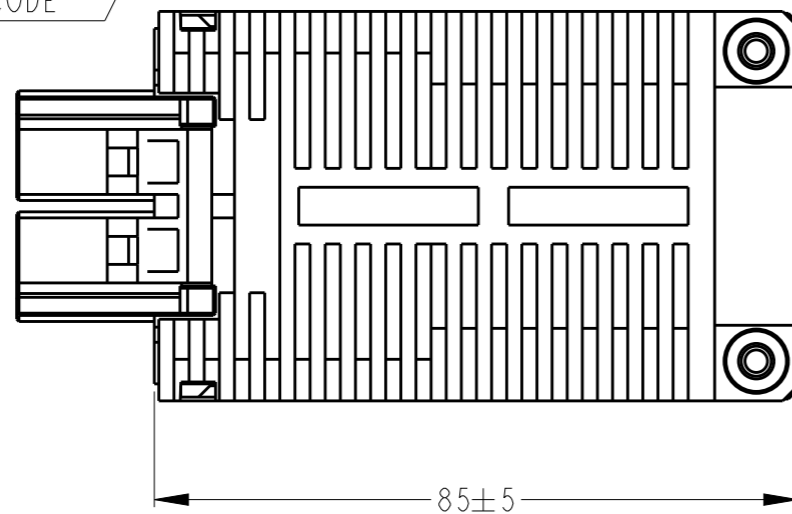


KEYING MARK

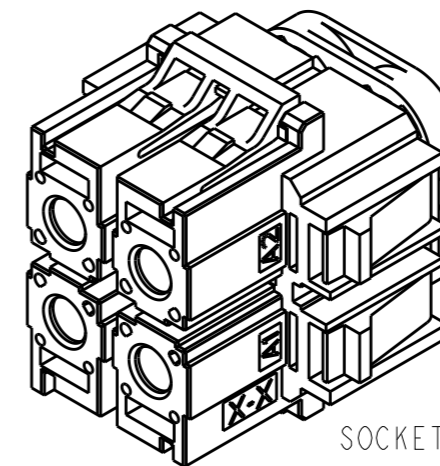
LOGO MARK
SERIES CODE

CLAMP SIZE

11



CLAMP COVER ASSY



SOCKET HSG ASSY

THIS DRAWING IS A CONTROLLED DOCUMENT.

DWN 31JUL2010
M. MAEBASHI

CHK 31JUL2010
N. YAMASAKI

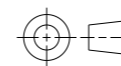
APVD 31JUL2010
N. YAMASAKI



TE Connectivity

DIMENSIONS:

mm



TOLERANCES UNLESS OTHERWISE SPECIFIED:
±1.0, ±5°

Ø PLC	±
1 PLC	±0.1
2 PLC	±0.01
3 PLC	±0.001
4 PLC	±0.0001
ANGLES	±

MATERIAL

SEE SHEET 1 OF 2

FINISH

SEE SHEET 1 OF 2

PRODUCT SPEC

108-78470

APPLICATION SPEC

114-5452

WEIGHT

-

NAME

DYNAMIC D7000 SERIES
DYNA-CLAMP KIT
7100 TYPE

SIZE

A3

CAGE CODE

00779

DRAWING NO

C-2069313

RESTRICTED TO

-

CUSTOMER DRAWING

SCALE 1:1

SHEET 2 OF 2

REV D