

2

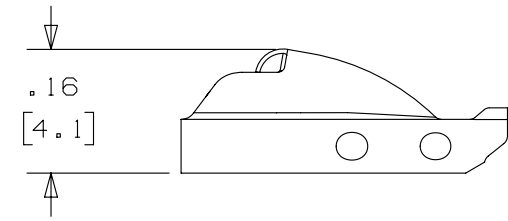
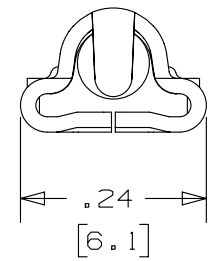
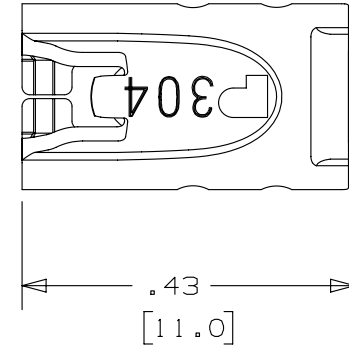
1

THIS COPY IS PROVIDED ON A RESTRICTED BASIS AND IS NOT TO BE USED IN ANY WAY DETRIMENTAL TO THE INTERESTS OF PANDUIT CORP.

NOTES:

1. TO BE USED WITH PANDUIT STAINLESS STEEL BANDING MBS-MR & MBS-TLR.
2. APPLICATION TOOL: GS4MT, PPTMT, ST2MT, ST3MT AND HTMT.
3. TOOL TENSION SETTING: 1 TO 4 (GS4MT & PPTMT TOOLS ONLY).
4. DIMENSIONS IN [] ARE MILLIMETERS.
5. MINIMUM LOOP TENSILE STRENGTH: 100 lbs. [445 N].
6. TOLERANCES: .XXX = ±.010 [.254]
 .XX = ±.02 [.508]
 .X = ±.03 [.762]
 ANGLES = ±2°

(A)



REV	DATE	BY	CHK	APR	DESCRIPTION	ECN
02A	3/13	JAMB	MIM	RGRO	UPDATE DRAWING TO NEW GLOBAL PANDUIT TITLE BLOCK WITH PANDUIT LOGO. ORIG CAD FILE SPEC WAS S41145_01	SSECN01042
01	10/03	BRH	DPN	JJB	(A) ADDED ST3MT TO APPLICATION TOOL NOTE	11162
00	8/03	JAMB	DPN	JJB	DRAWING RELEASED	10938

TITLE		METAL LOCKING TIE HEAD STANDARD PART # MTHS-C	
CUSTOMER DRAWING			
ITEM REVISION NAME	N41145BS/02	PANDUIT	
DATASET FILE NAME	N41145BS/02		
UNLESS OTHERWISE SPECIFIED, DIMENSIONAL TOLERANCES ARE: IN [mm]		MATERIAL:	
.x ± .1 [2.54]	.xxx ± .005 [.127]	304 STAINLESS STEEL	
.xx ± .01 [.25]	ANGLES ± 5 °	DRAWING NUMBER:	
THIRD ANGLE PROJECTION		N41145BS_DC	
DRAWN BY	DATE	CHK	SCALE
JAMB	8-13-03	DPN	4:1
SHT 1 OF 1			SIZE
			A

2

1