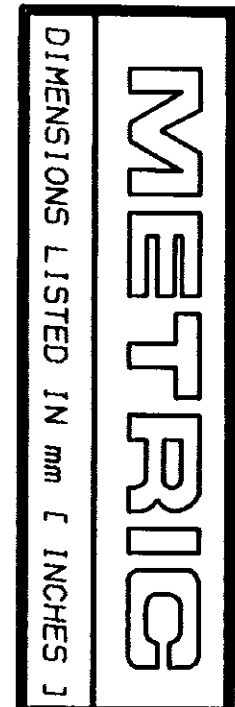
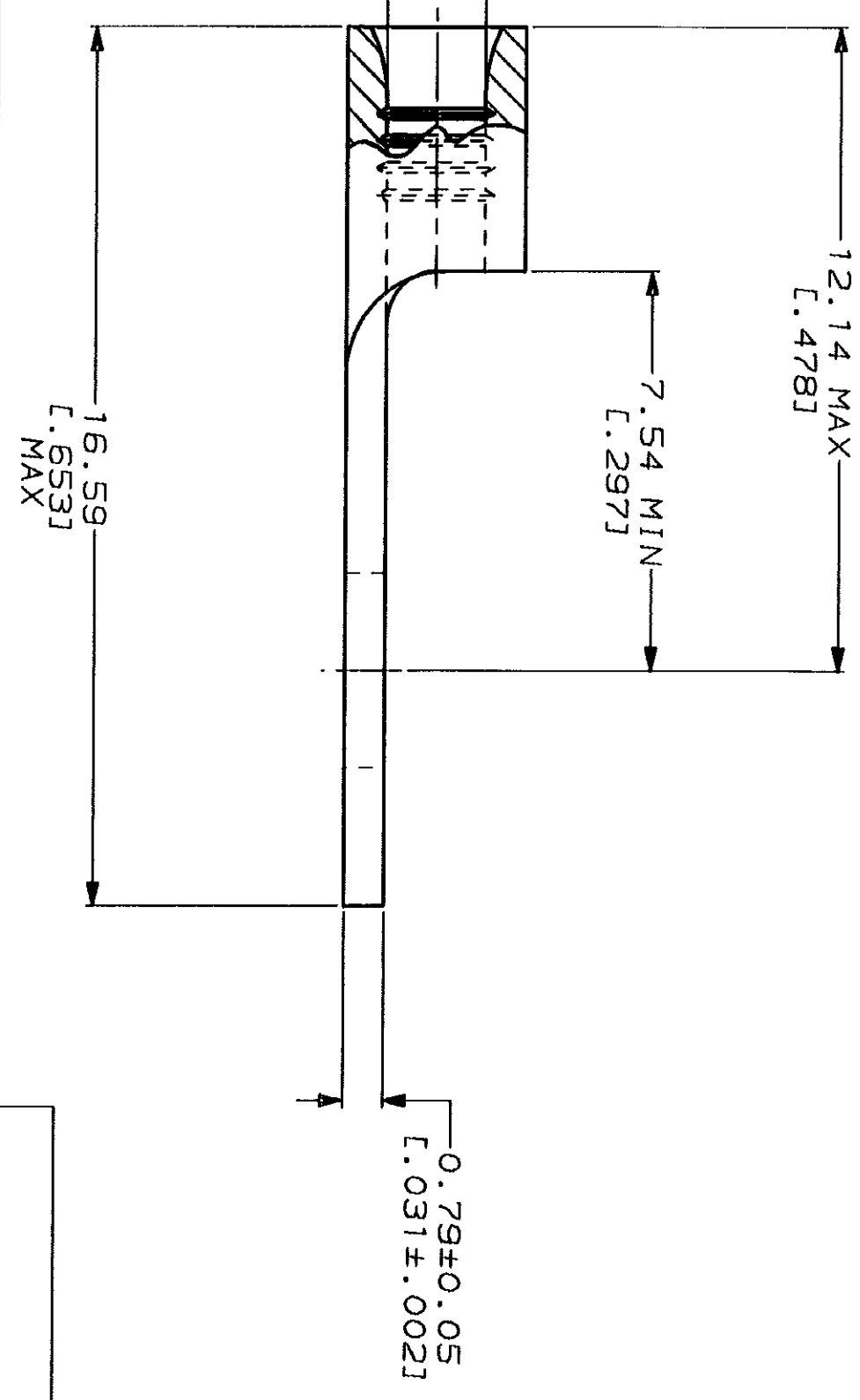
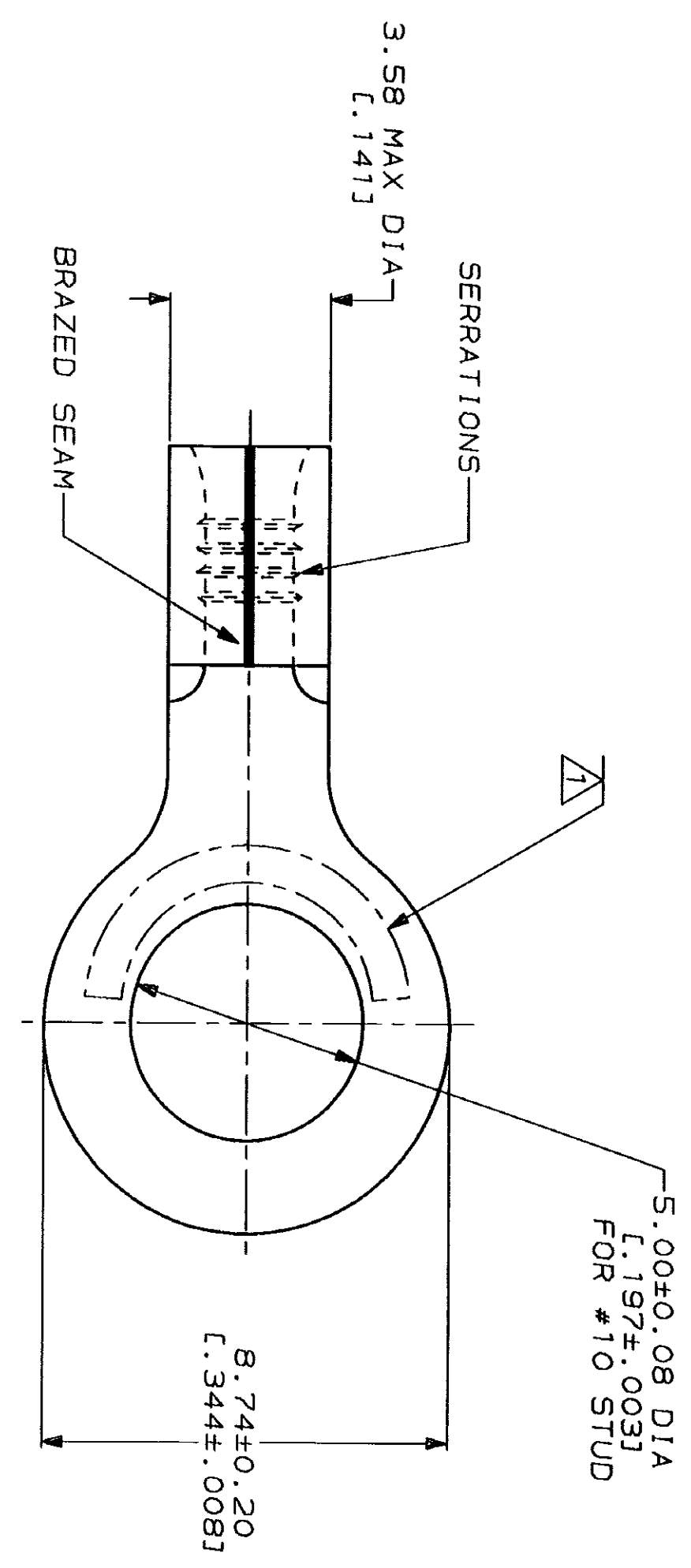


| LOC | DIST | P | F | ZONE | LTR | REVISIONS | DESCRIPTION | DATE | APPD |
|-----|------|---|---|------|-----|--------------------------------------|-------------|---------|---------------------|
| G | 14 | | | B | | REV. RDRW, 8 SM PKG PER 0720-0040-93 | | 3-10-93 | 1 st DAP |



| | |
|--------------------------------|--------------------------------|
| AMP WIRE RANGE | UL E13288 Listed |
| 22-16 AWG SOLID OR STRANDED | 22-16 AWG SOLID OR STRANDED |
| LR7189 Certified | MILITARY P/N AND CLASS |
| 22-16 AWG SOLID OR STRANDED | NOT APPLICABLE |

STAMP AMP 22-18* APPROX AS SHOWN
 22-16 TERMINALS ARE STAMPED 22-18 IN
 ACCORDANCE WITH MILITARY SPECIFICATION
 MIL-T-7928, COMMERCIAL WIRE RANGE IS 22-16



AMP INCORPORATED
CUSTOMER SERVICE SYSTEMS

| | |
|--|--|
| FOR ADDITIONAL PRODUCT INFORMATION OR COPIES OF DRAWINGS AND TECHNICAL DOCUMENTS | PRODUCT INFORMATION CENTER 1-800-522-6752 |
| FOR APPLICATION TOOLING INFORMATION | TOOLING ASSISTANCE CENTER 1-800-722-1111 |
| FOR ORDER ENTRY | 1-800-526-5142 |

MAX RECOMMENDED OPERATING TEMPERATURE: 170°C MAX
 VOLTAGE RATING: NOT APPLICABLE
 WIRE CROSS SECTIONAL AREA RANGE: 0.26-1.65mm² (509-3,260) CIR MILS
 SOLID OR STRANDED

DO NOT SCALE PRINT. UNLESS SPECIFIED DIMENSIONS IN mm FINISHES TOLERANCES ON: 1 PLG DEC ± 2 PLG DEC ± 3 PLG DEC ± ANGLES

| |
|-----------------------------|
| DR 3-10-93 TA BRINKMAN |
| CHK 3-10-93 DA PATTERSON |
| APPD 3-10-93 DE MILLER |
| APPD 3-10-93 JL MECKLEY |

| | | |
|--------------|-----|---|
| NAME | AMP | AMP Incorporated Harrisburg, PA 17105-3608 |
| QUANTITY | 100 | LOOSE PIECE, BOX |
| PACKAGE TYPE | --- | LOOSE PIECE |
| PART NO | --- | 323087 |

TERMINAL, RING
 TONGUE, SOLISTRAND™

| | |
|---|-----------|
| FINISH | TIN PLATE |
| 0.00254 [0.00100] MIN THK PER MIL-T-10727 | |
| APPLICATION SPEC | |
| WEIGHT | |
| SCALE | 8:1 |
| CAGE CODE | 00779 |
| DRAWING NO | 323087 |
| SHEET | 1 OF 1 |