

Ratings

Voltage: 600 V
 Temperature: -40~105 °C
 Flammability: FT2

Conductor

Conductor count: 9
 Gauge: 20 AWG 0.52 mm²
 Material: tinned copper strands
 Strand size: $\phi 0.16 \times 26$
 Resistance at 20 °C: 36.7 Ω /km max

Insulator

Material: mPPE
 Color: red, black, white, yellow, blue, green, orange, purple, gray
 Diameter: $\phi 1.5 \pm 0.10$ mm
 Average thickness: 0.26 mm
 Resistance at 20 °C: 100 M Ω /km min

Filler

Material: cotton rope

Wrap

Material: cotton paper

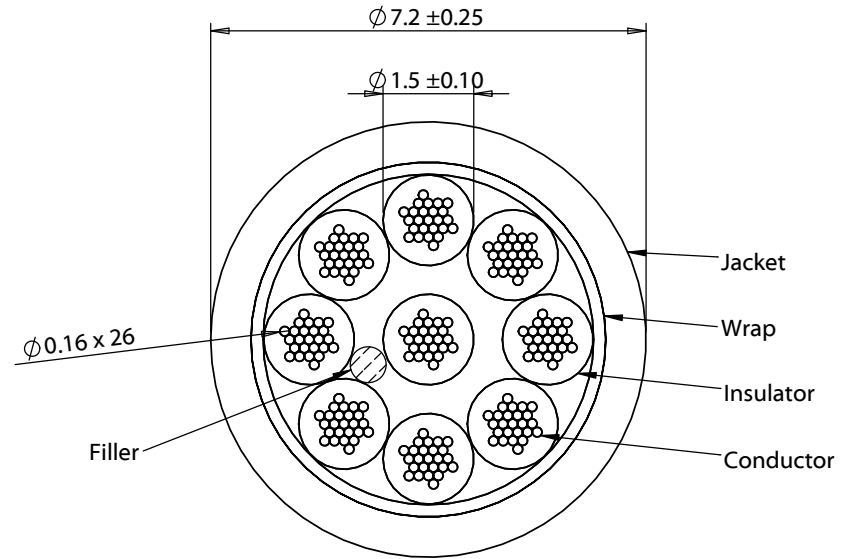
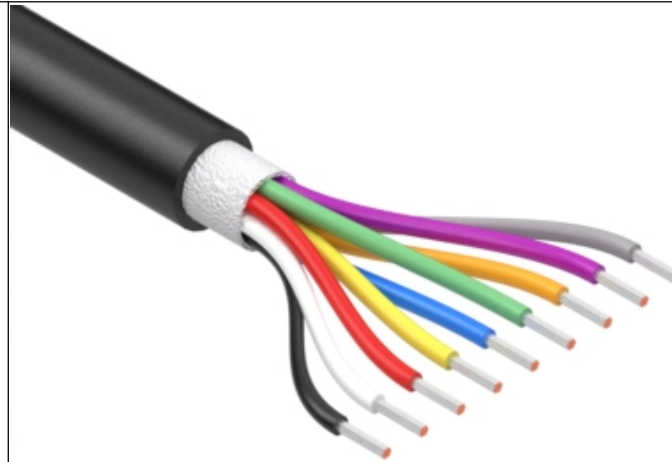
Outer jacket

Material: mPPE, 85A
 Color: black
 Diameter: $\phi 7.2 \pm 0.25$ mm
 Average thickness: 0.84 mm

Wire marking: E339579 UL AWM STYLE 21509 20 AWG 105°C
 600V --- cUL AWM I A 105°C 600V FT2 TENSILITY

Bend radius

Minimum: 6 times diameter (43.2 mm)



Revision:	Date:	Description:
A	5/4/2021	Initial release

Prepared:
AW
Digitally signed by AW
 Date: 2021.05.06
 13:05:31 -07'00'

Verified:
JC
Digitally signed by JC
 Date: 2021.05.11
 15:14:59 -07'00'

Dimensions are in millimeters.
 Tolerances:
 X: ± 0.5 mm
 X.X: ± 0.3 mm
 X.XX: ± 0.05 mm

Notes:
 RoHS compliant
 Phthalate and halogen free

Description:
 Wire, 9C TS, 20 AWG, 21509, 600V, 105C, 7.2 mm, FT2, mPPE

TENSILITY

tel 1.541.323.3228 800 877.670.7118
 fax 1.541.323.4202 web tensility.com

Size:	Part number:
A	30-02031
Scale: 8:1	Sheet 1 of 1