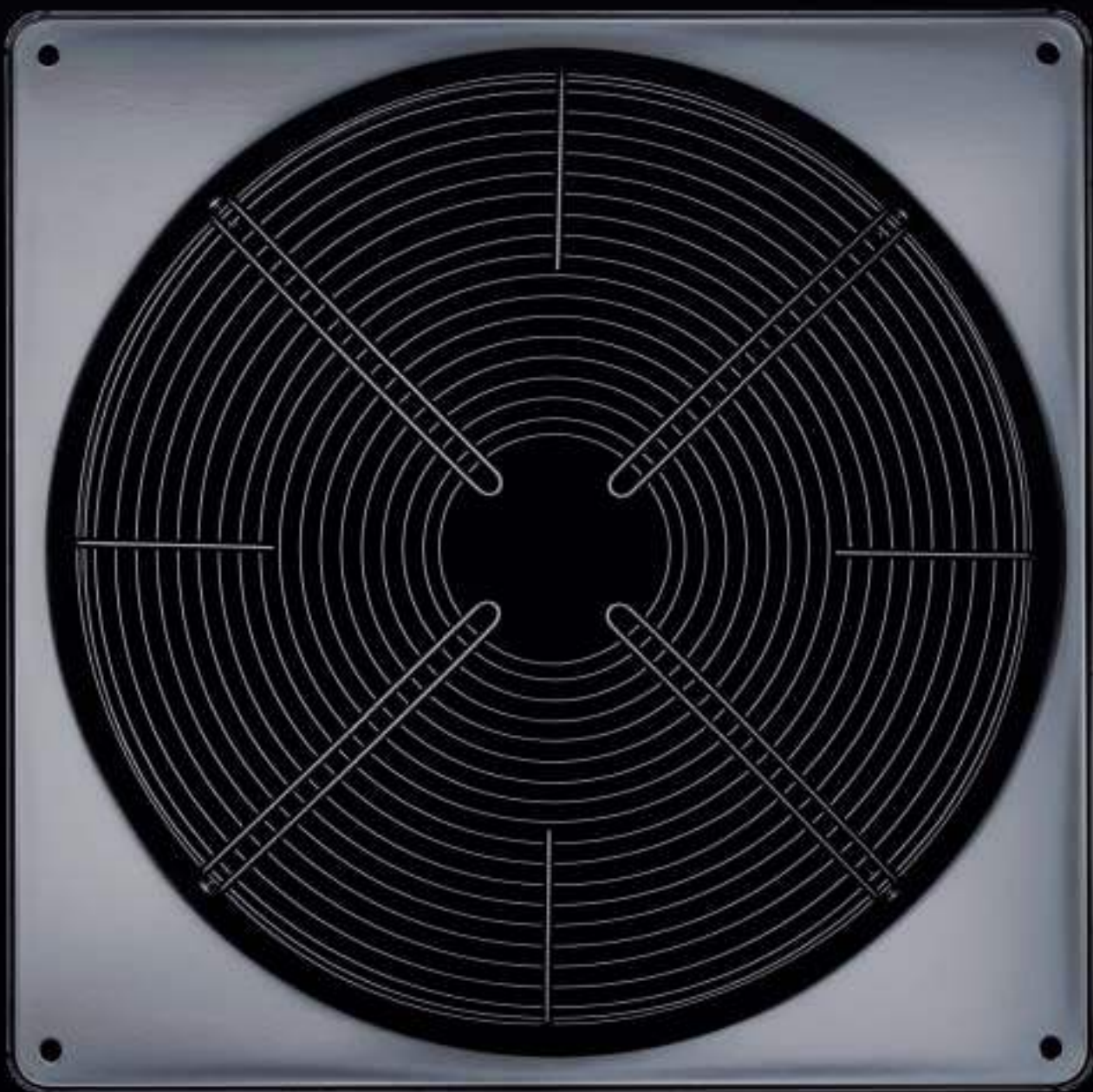
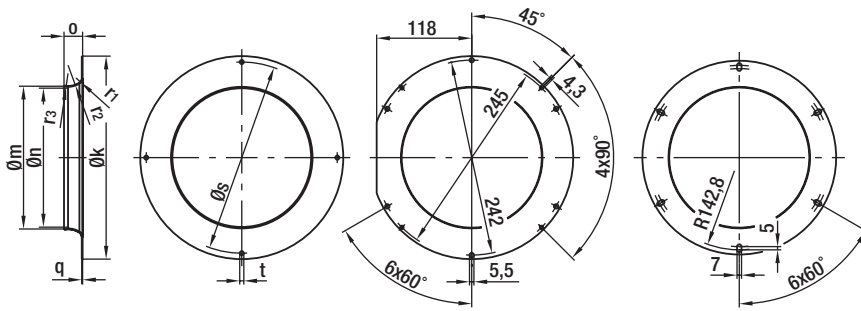


Accessories

| | |
|--|-----|
| Inlet rings | 340 |
| Guard grilles | 342 |
| Wall rings | 352 |
| Lead connections, capacitors, terminal boxes | 355 |
| Air filters, anti-vibration mount | 358 |



Accessories



- Material: galvanised sheet steel

ebm-papst • Muldfingen

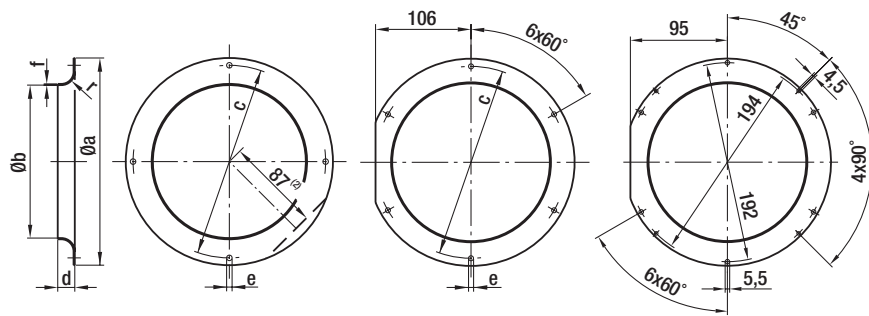
Inlet rings for backward curved centrifugal fans

| Part no. | Size ⁽¹⁾ | AC/EC | Vers. | k | m | n | o | q | r ₁ | r ₂ | r ₃ | s | t |
|--------------|------------------------|-------|-------|-----|-------|-------|------|------|----------------|----------------|----------------|-----|--------|
| 96120-2-4013 | 120 (K) | EC | 1 | 146 | 94,4 | --- | 18,0 | 0,80 | 16,0 | --- | --- | 134 | 4x4,5 |
| 09566-2-4013 | 133 (K) | AC/EC | 1 | 129 | 87,0 | --- | 13,0 | 1,00 | 8,0 | --- | --- | 118 | 4x4,5 |
| 09576-2-4013 | 175 / 190 (K) | AC/EC | 1 | 170 | 125,5 | --- | 14,0 | 1,25 | 10,0 | --- | --- | 158 | 4x4,5 |
| 09609-2-4013 | 220 (K) | AC/EC | 2 | 252 | 155,0 | --- | 21,0 | 0,80 | 22,0 | --- | --- | --- | --- |
| 96358-2-4013 | 225 (K) | AC/EC | 1 | 223 | 146,0 | --- | 28,0 | 1,50 | 25,0 | --- | --- | 210 | 4x4,5 |
| 96359-2-4013 | 250 (K)(S) | AC/EC | 1 | 255 | 164,5 | --- | 31,0 | 1,50 | 28,0 | --- | --- | 240 | 4x4,5 |
| 96360-2-4013 | 270 / 280 (S) | AC/EC | 1 | 280 | 182,5 | --- | 35,0 | 1,50 | 31,0 | --- | --- | 260 | 4x4,5 |
| 97512-2-4013 | 310 (K) | AC/EC | 3 | 300 | 192,0 | --- | 53,0 | 1,00 | 30,0 | 60,0 | --- | --- | --- |
| 31050-2-4013 | 310 (A) | AC/EC | 1 | 300 | 211,0 | 208,1 | 48,0 | 1,25 | 18,0 | 55,5 | 35,0 | 280 | 4x4,5 |
| 31051-2-4013 | 310 ⁽²⁾ (A) | AC/EC | 1 | 300 | 211,0 | 209,2 | 27,5 | 1,25 | 10,0 | 32,0 | 20,0 | 280 | 4x4,5 |
| 51357-2-4013 | 330 / 355 (K) | AC | 1 | 350 | 224,0 | --- | 60,0 | 1,50 | 54,0 | 28,0 | --- | 325 | 4x4,5 |
| 35560-2-4013 | 355 (A) | AC/EC | 1 | 350 | 240,0 | 236,4 | 60,0 | 1,50 | 22,5 | 70,0 | 44,0 | 325 | 4x4,5 |
| 35561-2-4013 | 355 ⁽²⁾ (A) | AC/EC | 1 | 350 | 240,0 | 238,0 | 30,0 | 1,50 | 11,0 | 35,0 | 22,0 | 325 | 4x4,5 |
| 54476-2-4013 | 400 (A) | AC/EC | 1 | 370 | 257,0 | --- | 66,0 | 1,50 | 22,0 | 50,0 | 90,0 | 345 | 4x4,5 |
| 54478-2-4013 | 450 (A) | AC | 1 | 413 | 287,0 | --- | 71,0 | 1,50 | 25,0 | 55,0 | 100,0 | 390 | 6x9 |
| 54480-2-4013 | 500 (A) | AC | 1 | 456 | 323,0 | --- | 79,0 | 1,50 | 28,0 | 65,0 | 115,0 | 430 | 6x9 |
| 63072-2-4013 | 500 (A) | EC | 1 | 470 | 342,0 | 337,0 | 75,0 | 2,00 | 28,0 | 87,0 | 55,0 | 445 | 6x9 |
| 63071-2-4013 | 560 (A) | EC | 1 | 515 | 385,0 | 380,0 | 82,0 | 2,00 | 30,0 | 95,0 | 60,0 | 490 | 6x9 |
| 63070-2-4013 | 630 (A) | EC | 1 | 634 | 433,0 | 427,0 | 98,5 | 2,00 | 37,0 | 14,0 | 72,0 | 600 | 6x10,5 |

subject to alterations

⁽¹⁾ Size with key for impeller material: (K) = plastic, (S) = sheet steel, (A) = aluminium

⁽²⁾ Short inlet ring



- Material: galvanised sheet steel

ebm-papst • Mulfingen

Inlet rings for forward curved centrifugal fans

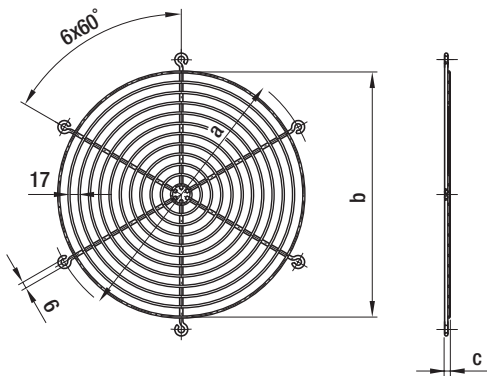
| Part no. | Size | Vers. | a | b | c | d | e | f | r |
|--------------|--------------------------|------------------|-----|-------|-----|----|-------|------|------|
| 09560-2-4013 | 076 / 085 ⁽¹⁾ | 1 | 92 | 63,4 | 84 | 6 | 3x4,2 | 0,80 | 6,8 |
| 09563-2-4013 | 097 ⁽¹⁾ | 1 | 116 | 80,0 | 108 | 10 | 3x4,5 | 0,80 | 10,0 |
| 09566-2-4013 | 108 | 1 | 129 | 87,0 | 118 | 13 | 4x4,5 | 1,00 | 8,0 |
| 09569-2-4013 | 120 | 1 | 142 | 100,0 | 132 | 9 | 4x4,5 | 1,00 | 8,0 |
| 09572-2-4013 | 133 | 1 | 150 | 112,0 | 142 | 12 | 4x4,5 | 1,00 | 10,0 |
| 09576-2-4013 | 140 / 146 | 1 | 170 | 125,5 | 158 | 14 | 4x4,5 | 1,25 | 10,0 |
| 09588-2-4013 | 160 | 1 ⁽²⁾ | 185 | 130,0 | 175 | 17 | 4x4,5 | 0,75 | 12,0 |
| 09597-2-4013 | 180 | 3 | 210 | 149,0 | --- | 28 | --- | 1,25 | 25,0 |
| 09605-2-4013 | 200 / 225 | 2 | 230 | 175,0 | 213 | 24 | 6x5,5 | 1,25 | 20,0 |

subject to alterations

⁽¹⁾ 3 drilled holes staggered by 120°

⁽²⁾ Dimension 87 only with 09588-2-4013

Accessories



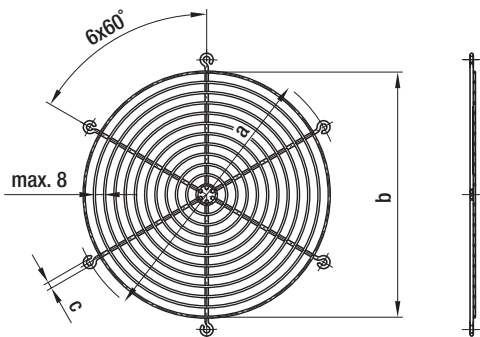
- **Material:** ⁽¹⁾galvanised steel wire or ⁽²⁾phosphatized steel wire, plastic coated in RAL no. 9005, black

ebm-papst • Mulfingen

Guard grilles (e.g. for backward curved centrifugal fans)

| Part no. | Size | a | b | c |
|-----------------------------|-----------|-----|-----|----|
| 65152-2-4039 ⁽¹⁾ | 250 | 250 | 172 | 5 |
| 53526-2-4039 ⁽¹⁾ | 280 / 310 | 290 | 210 | 10 |
| 54329-2-4039 ⁽²⁾ | 355 | 328 | 286 | 10 |
| 54328-2-4039 ⁽²⁾ | 400 | 366 | 286 | 10 |

subject to alterations



- **Material:** phosphatized steel wire, plastic coated in RAL no. 9005, black

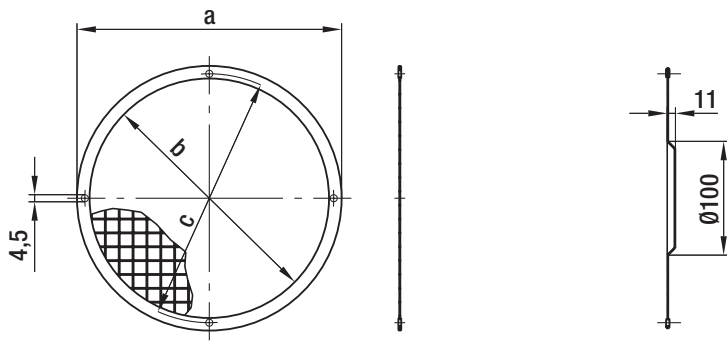
ebm-papst • Mulfingen

Guard grilles (e.g. for axial fans)

| Part no. | Size | a | b | c |
|--------------|------|-----|-----|---|
| 09513-2-4039 | 200 | 250 | 227 | 6 |
| 09518-2-4039 | 250 | 295 | 265 | 7 |
| 09532-2-4039 | 300 | 380 | 323 | 9 |

subject to alterations

Accessories



⁽²⁾ Size 160

- **Material:** welded grille made of galvanised steel, frame made of tinned sheet iron 0.3 mm thick

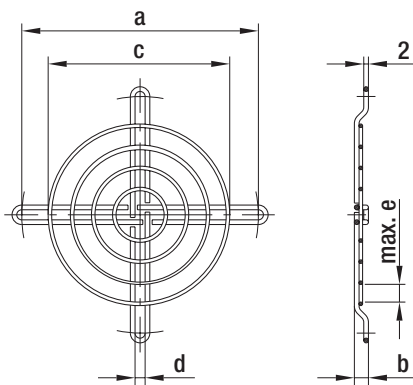
ebm-papst • Mulfingen

Guard grilles for blowers with single inlet

| Part no. | Size | a | b | c |
|--------------|------------------------|-----|-----|-----|
| 09489-2-4039 | 076/085 ⁽¹⁾ | 90 | 74 | 84 |
| 09490-2-4039 | 108 | 126 | 110 | 118 |
| 09494-2-4039 | 120 | 140 | 124 | 132 |
| 09492-2-4039 | 140/146 | 168 | 152 | 158 |
| 09503-2-4039 | 160 ⁽²⁾ | 183 | 170 | 175 |
| 09493-2-4039 | 180 | 205 | 189 | 194 |

subject to alterations

⁽¹⁾ 3 drilled holes staggered by 120°



- **Material:** ⁽¹⁾sheet steel, plastic coated, silver-metallic gloss or ⁽²⁾galvanised sheet steel, chromatised in blue

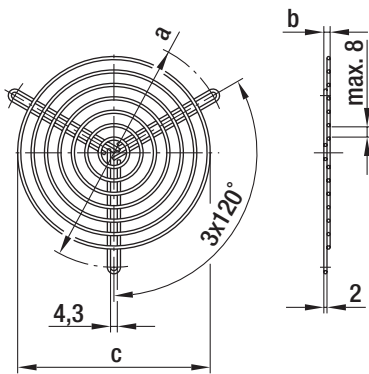
ebm-papst • Mulfingen

Guard grilles for blowers with single inlet

| Part no. | Size | a | b | c | d | e |
|-----------------------------|---------|-----|-----|-----|-----|---|
| 09603-2-4039 ⁽¹⁾ | 076/085 | 101 | 6,0 | 79 | 4,3 | 8 |
| 98214-2-4039 ⁽¹⁾ | 108 | 120 | 3,5 | 88 | 4,3 | 8 |
| 25028-2-4039 ⁽²⁾ | 140/146 | 162 | 8,5 | 139 | 4,3 | 8 |
| 17729-2-4039 ⁽²⁾ | 160 | 175 | 3,5 | 139 | 4,6 | 7 |

subject to alterations

Accessories



- **Material:** phosphatized steel wire, plastic coated in ⁽¹⁾RAL no. 9005, black or ⁽²⁾silver-metallic gloss

ebm-papst · Mulfingen

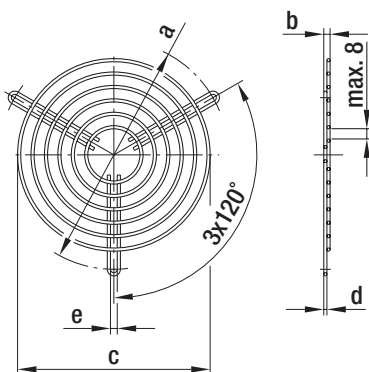
Guard grilles for blowers with dual inlet

| Part no. | Size | a | b | c |
|-----------------------------|--------------------|-----|-----|-----|
| 83319-2-4039 ⁽²⁾ | 097 ⁽³⁾ | 96 | 3,5 | 71 |
| 09485-2-4039 ⁽²⁾ | 097 ⁽⁴⁾ | 114 | 3,5 | 88 |
| 09500-2-4039 ⁽²⁾ | 133 / 146 | 145 | 4,0 | 122 |
| 31003-2-4039 ⁽²⁾ | 180 | 174 | 9,5 | 192 |
| 95644-2-4039 ⁽¹⁾ | 200 | 250 | 5,0 | 206 |

subject to alterations

⁽³⁾ for D2E097-CB

⁽⁴⁾ for D2E097-B*



- **Material:** phosphatized steel wire, plastic coated, silver-metallic gloss

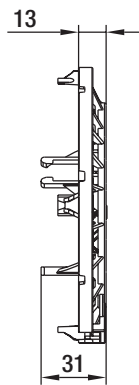
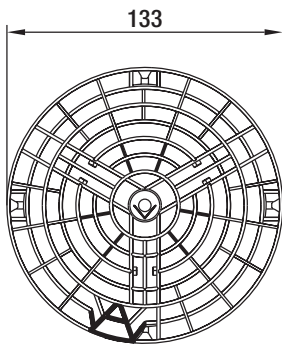
ebm-papst · Mulfingen

Guard grilles for blowers with dual inlet (EW sheet steel support)

| Part no. | Size | a | b | c | d | e |
|--------------|------|-----|----|-----|-----|-----|
| 35000-2-4039 | 160 | 182 | 12 | 144 | 2,4 | 4,5 |
| 62226-2-4039 | 180 | 192 | 9 | 173 | 3,0 | 5,2 |
| 62227-2-4039 | 200 | 213 | 9 | 190 | 3,0 | 5,2 |
| 62228-2-4039 | 225 | 242 | 9 | 222 | 3,0 | 5,2 |
| 25825-2-4039 | 250 | 275 | 9 | 255 | 3,0 | 5,2 |

subject to alterations

Accessories



- **Material:** Ultramid A3X2G5, black
- **Special feature:** triangular, raised contour
- **Suitable for:** D2E 140 -HR
D2E 146 -HR
D2E 146 -HS
D2E 146 -HT
D4E 146 -LV
K4E 146 -AB
D4E 160 -HN

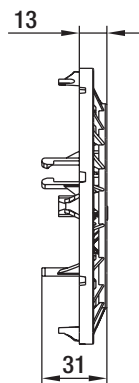
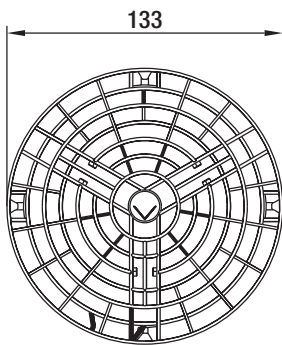
ebm-papst • Mulfingen

Guard grilles for blowers with dual inlet with plastic housing (cable exit side of blower)

Part no.

34265-2-2929

subject to alterations



- **Material:** Ultramid A3X2G5, black
- **Special feature:** outmost two rings are closed
- **Suitable for:** D2E 140 -HR
D2E 146 -HR
D2E 146 -HS
D2E 146 -HT
D4E 146 -LV
K4E 146 -AB
D4E 160 -HN

ebm-papst • Mulfingen

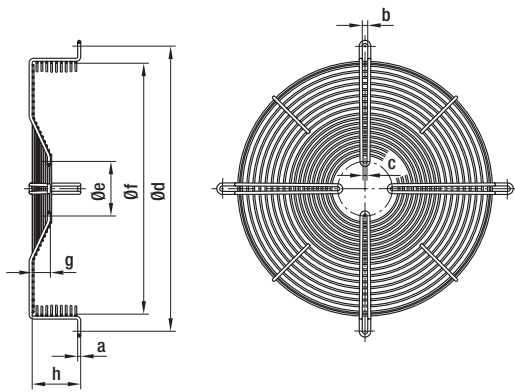
Guard grilles for blowers with dual inlet with plastic housing (side of blower opposite cable exit)

Part no.

38182-2-2929

subject to alterations

Accessories



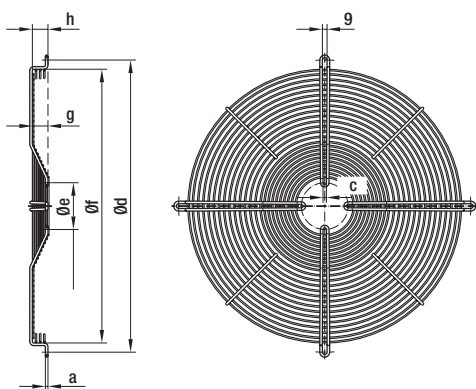
- **Material:** phosphatized steel wire, plastic coated in RAL no. 9005, black
- **Note:** Please consult your engineer for relevant part numbers of complete fans.

ebm-papst • Muldingen

Basket guard grilles for S-Range axial fans

| Part no. | Size | AC/EC | AC motor | EC motor | a | b | c | d | e | f | g | h |
|--------------|------|-------|----------|----------|-----|-----|-----|-----|-----|-------|------|----|
| 19110-2-4039 | 200 | AC/EC | 068 | 074 | 3,9 | 6,5 | 4,3 | 260 | 58 | 229,0 | --- | 39 |
| 19111-2-4039 | 250 | AC/EC | 068 | 074 | 3,9 | 6,5 | 4,5 | 300 | 58 | 271,0 | --- | 38 |
| 19112-2-4039 | 250 | AC/EC | 068 | 074 | 3,9 | 6,5 | 4,5 | 300 | 58 | 271,0 | --- | 53 |
| 64555-2-4039 | 300 | AC/EC | 068 | 074 | 4,5 | 4,3 | 4,3 | 360 | 58 | 329,5 | --- | 50 |
| 64556-2-4039 | 300 | AC | 068 | --- | 4,5 | 4,3 | 4,3 | 360 | 58 | 329,5 | 26,0 | 50 |
| 64557-2-4039 | 300 | AC | 074 | --- | 5,0 | 6,5 | 6,5 | 330 | 90 | 324,0 | --- | 50 |
| 64558-2-4039 | 315 | AC | 068 | --- | 4,5 | 6,5 | 4,5 | 375 | 58 | 336,5 | 30,0 | 80 |
| 64559-2-4039 | 330 | AC | 068 | --- | 4,5 | 6,5 | 4,5 | 410 | 58 | 354,5 | 30,0 | 80 |
| 64560-2-4039 | 350 | AC | 074 | --- | 5,0 | 6,5 | 6,5 | 422 | 90 | 380,0 | 30,0 | 80 |
| 64379-2-4039 | 400 | AC/EC | 074 | 084 | 5,0 | 9,0 | 6,5 | 470 | 90 | 420,0 | 30,0 | 80 |
| 64536-2-4039 | 420 | AC/EC | 074 | 084 | 5,0 | 9,0 | 6,5 | 502 | 90 | 458,0 | 30,0 | 80 |
| 64378-2-4039 | 450 | AC/EC | 074 | 084 | 5,0 | 9,0 | 6,5 | 522 | 90 | 482,0 | 30,0 | 80 |
| 25938-2-4039 | 450 | AC | 094 | --- | 7,0 | 9,0 | 7,0 | 515 | 115 | 472,0 | 16,5 | 80 |

subject to alterations



- **Material:** phosphatized steel wire, plastic coated in RAL no. 9005, black

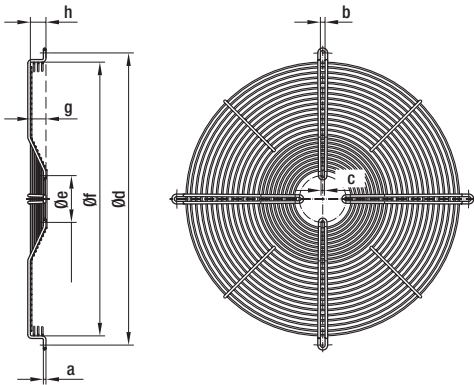
ebm-papst • Muldingen

Basket guard grilles for S-Range axial fans (for mounting on square wall rings with long nozzle)

| Part no. | Size | AC/EC | AC motor | EC motor | a | c | d | e | f | g | h |
|--------------|-----------|-------|----------|----------|---|-----|-----|-----|-----|------|------|
| 63978-2-4039 | 420 / 450 | AC/EC | 074 | 084 | 5 | 6,5 | 562 | 90 | 526 | 30,0 | 30,0 |
| 25950-2-4039 | 450 | AC | 094 | --- | 7 | 7,0 | 560 | 115 | 523 | 16,5 | 38,0 |

subject to alterations

Accessories



- **Material:** phosphatized steel wire, plastic coated in RAL no. 9005, black
- **Note:** Please consult your engineer for relevant part numbers of complete fans.

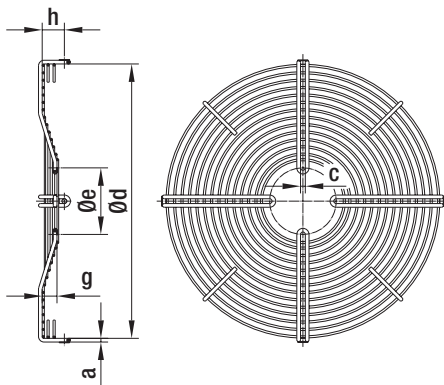
ebm-papst • Mulfingen

Guard grilles for S-Range axial fans

| Part no. | Size | AC/EC | AC motor | EC motor | a | b | c | d | e | f | g | h |
|--------------|-----------|-------|----------|----------|-----|-----|-----|-----|-----|-----|------|------|
| 18656-2-4039 | 200 | AC | 068 | --- | 3,9 | 4,6 | 4,6 | 245 | 58 | --- | --- | --- |
| 62622-2-4039 | 200 | EC | --- | 074 | 3,9 | 4,6 | 4,6 | 245 | 58 | --- | --- | --- |
| 09414-2-4039 | 250 | AC | 068 | --- | 3,9 | 4,6 | 4,6 | 290 | 58 | --- | --- | --- |
| 62623-2-4039 | 250 | EC | --- | 074 | 3,9 | 4,6 | 4,6 | 290 | 58 | --- | --- | --- |
| 09415-2-4039 | 300 | AC | 068 | --- | 3,9 | 4,6 | 4,6 | 360 | 58 | --- | --- | --- |
| 62624-2-4039 | 300 | EC | --- | 074 | 3,9 | 4,6 | 4,6 | 360 | 58 | --- | --- | --- |
| 72320-2-4039 | 300 | AC | 068 | --- | 4,5 | 4,3 | 4,3 | 360 | 58 | 329 | 26,0 | 26,0 |
| 64052-2-4039 | 300 | AC | 074 | --- | 5,0 | 6,5 | 6,5 | 360 | 90 | --- | --- | --- |
| 64489-2-4039 | 315 | AC | 068 | --- | 4,5 | 6,4 | 4,3 | 375 | 58 | 336 | 30,0 | 30,0 |
| 64490-2-4039 | 330 | AC | 068 | --- | 4,5 | 6,4 | 4,3 | 410 | 58 | 371 | 30,0 | 30,0 |
| 64051-2-4039 | 350 | AC | 074 | --- | 5,0 | 6,5 | 6,5 | 422 | 90 | 374 | 30,0 | 30,0 |
| 64538-2-4039 | 400 / 420 | AC | 074 | 084 | 5,0 | 9,0 | 6,5 | 502 | 90 | 452 | 30,0 | 30,0 |
| 64539-2-4039 | 450 | AC | 074 | 084 | 5,0 | 9,0 | 6,5 | 522 | 90 | 476 | 30,0 | 30,0 |
| 25950-2-4039 | 450 | AC | 094 | --- | 7,0 | 9,0 | 7,0 | 560 | 115 | 517 | 16,5 | 21,5 |

subject to alterations

Accessories



Possible mounting

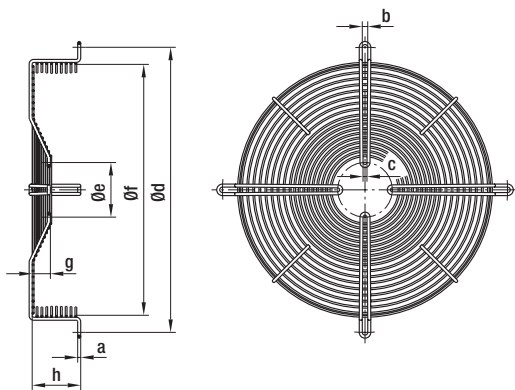
- **Material:** phosphatized steel wire, plastic coated in RAL no. 9005, black
- **Wall rings:** see page 353
- **Note:** Please consult your engineer for relevant part numbers of complete fans.

ebm-papst • Mulfingen

Guard grilles for S-Range axial fans (for mounting on the square wall ring with long nozzle, but directly on the nozzle side)

| Part no. | Size | AC/EC | AC motor | EC motor | a | c | d | e | g | h |
|--------------|------|-------|--------------|----------|---|-----|-----|-----|------|----|
| 35802-2-4039 | 350 | AC | 074 | --- | 5 | 6,5 | 371 | 90 | 20,0 | 30 |
| 35803-2-4039 | 400 | AC | 074 (4-pole) | --- | 5 | 6,5 | 413 | 90 | --- | 16 |
| 35804-2-4039 | 400 | AC/EC | 074 (6-pole) | 084 | 5 | 6,5 | 413 | 90 | 30,0 | 28 |
| 35805-2-4039 | 450 | AC | 074 (4-pole) | --- | 5 | 6,5 | 466 | 90 | --- | 25 |
| 35806-2-4039 | 450 | AC/EC | 074 (6-pole) | 084 | 5 | 6,5 | 466 | 90 | 20,0 | 30 |
| 26510-2-4039 | 450 | AC | 094 | --- | 7 | 7,0 | 466 | 115 | 16,5 | 41 |

subject to alterations



- **Material:** phosphatized steel wire, plastic coated in RAL no. 9005, black
- **Note:** Please consult your engineer for relevant part numbers of complete fans.

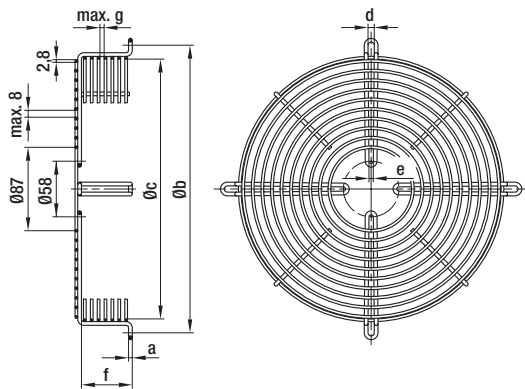
ebm-papst • Mulfingen

Basket guard grilles for K-Range axial fans

| Part no. | Size | AC/EC | AC motor | EC motor | a | b | c | d | e | f | g | h |
|--------------|------|-------|----------|----------|-----|-----|-----|-----|----|-----|-----|----|
| 66024-2-4039 | 250 | AC/EC | 068 | 074 | 4,5 | 4,3 | 4,3 | 300 | 58 | 271 | 26 | 60 |
| 77709-2-4039 | 300 | AC/EC | 068 | 074 | 3,9 | 4,5 | 4,5 | 360 | 58 | 340 | 26 | 26 |
| 19115-2-4039 | 350 | AC/EC | 068 | 074 | 4,5 | 6,5 | 4,5 | 422 | 58 | 380 | --- | 54 |
| 62229-2-4039 | 360 | AC/EC | 068 | 074 | 4,5 | 6,3 | 4,3 | 400 | 58 | 357 | 12 | 16 |
| 64378-2-4039 | 450 | AC/EC | 074 | 084 | 5,0 | 9,0 | 6,5 | 522 | 90 | 476 | 30 | 80 |
| 64539-2-4039 | 450 | AC/EC | 074 | 084 | 5,0 | 9,0 | 6,5 | 522 | 90 | 476 | 30 | 30 |

subject to alterations

Accessories



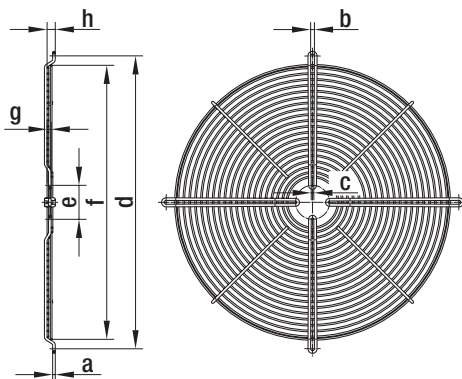
- **Material:** phosphatized steel wire, plastic coated in RAL no. 9005, black
- **Note:** Please consult your engineer for relevant part numbers of complete fans.

ebm-papst • Muldingen

Basket guard grilles for A-Range axial fans

| Part no. | Size | a | b | c | d | e | f | g |
|--------------|------|-----|-----|-----|-----|-----|----|---|
| 19110-2-4039 | 200 | 3,9 | 260 | 229 | 6,5 | 4,3 | 39 | 6 |
| 19111-2-4039 | 250 | 3,9 | 300 | 271 | 6,5 | 4,5 | 38 | 6 |
| 19112-2-4039 | 250 | 3,9 | 300 | 271 | 6,5 | 4,5 | 53 | 6 |
| 19113-2-4039 | 300 | 3,9 | 360 | 327 | 6,5 | 4,5 | 35 | 6 |
| 19114-2-4039 | 350 | 4,5 | 422 | 375 | 6,5 | 4,5 | 72 | 6 |
| 19115-2-4039 | 350 | 4,5 | 422 | 380 | 6,5 | 4,5 | 54 | 6 |
| 63406-2-4039 | 400 | 4,5 | 470 | 428 | 9,0 | 4,5 | 67 | 8 |

subject to alterations



- **Material:** phosphatized steel wire, plastic coated in RAL no. 9005, black
- **Note:** Please consult your engineer for relevant part numbers of complete fans.

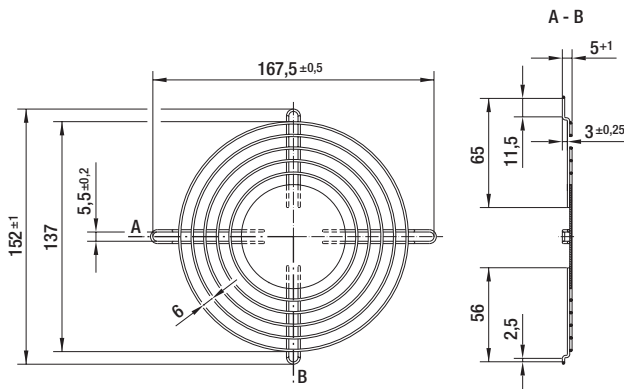
ebm-papst • Muldingen

Guard grilles for A-Range axial fans

| Part no. | Size | a | b | c | d | e | f | g | h |
|--------------|------|-----|-----|-----|-----|----|-------|-----|------|
| 18656-2-4039 | 200 | 3,9 | 4,6 | 4,6 | 245 | 58 | 195,0 | --- | --- |
| 09414-2-4039 | 250 | 3,9 | 4,6 | 4,6 | 290 | 58 | 247,0 | --- | --- |
| 09415-2-4039 | 300 | 3,9 | 4,6 | 4,6 | 360 | 58 | 300,0 | --- | --- |
| 19699-2-4039 | 315 | 4,5 | 6,3 | 4,3 | 375 | 58 | 327,0 | --- | 3,5 |
| 69667-2-4039 | 350 | 4,5 | 6,5 | 4,5 | 422 | 58 | 387,0 | --- | 6,5 |
| 19117-2-4039 | 400 | 4,5 | 6,3 | 4,3 | 500 | 58 | 467,5 | 7 | 14,0 |

subject to alterations

Accessories



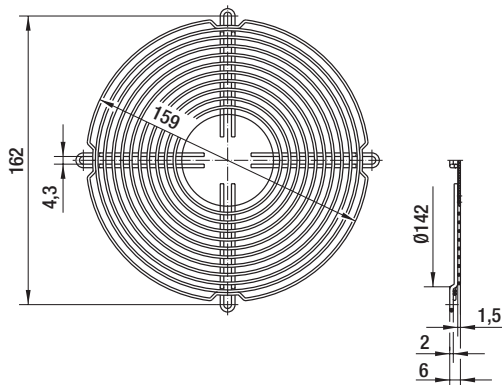
- **Material:** galvanised steel wire, chromatised in blue

ebm-papst • Mulfingen

Guard grille for axial fans

| Part no. | Size |
|--------------|------|
| 51019-2-4039 | 130 |

subject to alterations



- **Material:** galvanised steel wire, chromatised in blue (alternatively: nickel-plated)

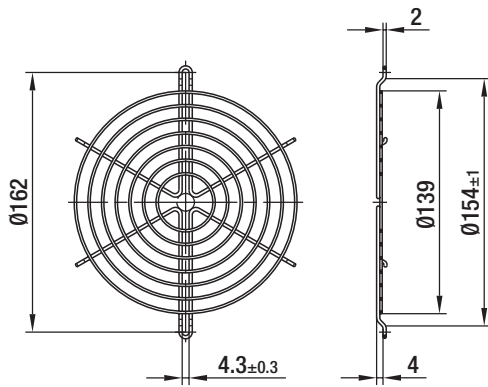
ebm-papst • Mulfingen

Guard grille for axial fans (according to EN 294)

| Part no. | Size |
|--------------|-----------------|
| 50952-2-4039 | 130 / 142 / 143 |

subject to alterations

Accessories



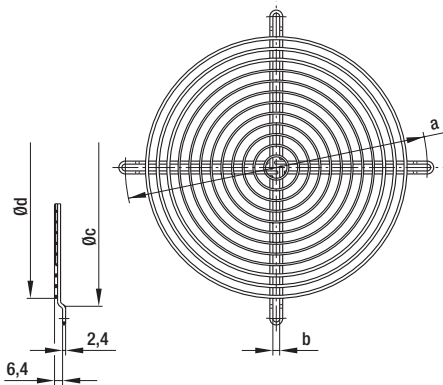
- **Material:** steel wire, ⁽¹⁾plastic coated, silver-metallic gloss or ⁽²⁾galvanised, chromatised in blue

ebm-papst • Mulfingen

Guard grille for axial fans

| Part no. | Size |
|--------------|------|
| 03749-2-4039 | 142 |
| 04013-2-4039 | 143 |

subject to alterations



- **Material:** steel wire, plastic coated, silver-metallic gloss

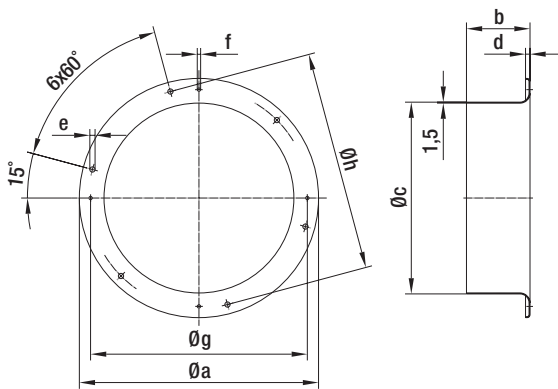
ebm-papst • Mulfingen

Guard grille for axial fans

| Part no. | Size | a | b | c | d |
|--------------|------|-----|-----|-------|-----|
| 78128-2-4039 | 200 | 240 | 5,4 | 221,5 | 208 |
| 09418-2-4039 | 250 | 295 | 6,4 | 278,5 | 270 |

subject to alterations

Accessories



- **Material:** sheet steel, plastic coated in RAL no. 9005, black

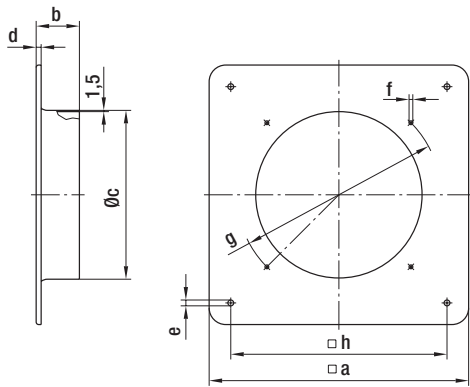
ebm-papst • Mulfingen

Wall rings with long nozzle for axial fans

| Part no. | Size | a | b | c | d | e | f | g | h |
|--------------|--------------------|-----|-----|-----|----|----|-----|-----|-----|
| 18912-2-4037 | 200 | 280 | 80 | 203 | 5 | 7 | 4,5 | 245 | 250 |
| 64009-2-4037 | 250 (S-Range) | 320 | 86 | 260 | 6 | 7 | 4,5 | 290 | 295 |
| 18910-2-4037 | 250 (A-Range) | 320 | 85 | 257 | 6 | 7 | 4,5 | 290 | 295 |
| 18908-2-4037 | 300 | 397 | 80 | 326 | 11 | 9 | M4 | 360 | 380 |
| 18902-2-4037 | 315 | 397 | 74 | 347 | 11 | 9 | M6 | 374 | 380 |
| 18892-2-4037 | 330 | 440 | 80 | 369 | 11 | 9 | M6 | 408 | 404 |
| 18900-2-4037 | 350 | 460 | 80 | 390 | 12 | 9 | M6 | 422 | 442 |
| 18930-2-4037 | 400 | 528 | 96 | 419 | 12 | 9 | M8 | 500 | 504 |
| 18929-2-4037 | 420 | 544 | 96 | 447 | 12 | 9 | M8 | 500 | 520 |
| 64000-2-4037 | 450 ⁽¹⁾ | 607 | 100 | 465 | 14 | 11 | M8 | 560 | 578 |

subject to alterations

⁽¹⁾ Use guard grille 63978-2-4039 to mount the axial fan



- **Material:** sheet steel, plastic coated in RAL no. 9005, black

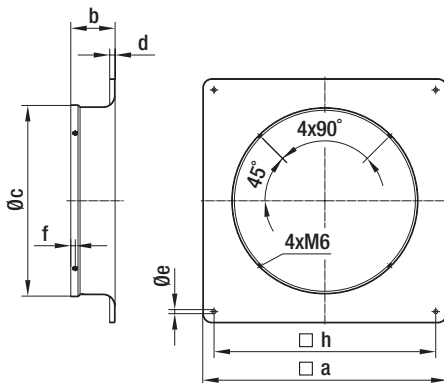
ebm-papst • Mulfingen

Square wall rings with long nozzle for axial fans

| Part no. | Size | a | b | c | d | e | f | g | h |
|--------------|--------------------|-----|-------|-----|----|----|-----|-----|-----|
| 18918-2-4037 | 200 | 312 | 52,0 | 203 | 6 | 7 | 4,5 | 245 | 260 |
| 37701-2-4037 | 250 (S-Range) | 370 | 56,0 | 260 | 6 | 7 | 4,5 | 290 | 320 |
| 18933-2-4037 | 250 (A-Range) | 370 | 55,0 | 257 | 6 | 7 | 4,5 | 290 | 320 |
| 18924-2-4037 | 300 | 430 | 80,0 | 326 | 11 | 9 | 4,5 | 360 | 380 |
| 18903-2-4037 | 315 | 430 | 72,5 | 345 | 11 | 9 | M6 | 375 | 380 |
| 18901-2-4037 | 350 | 485 | 80,0 | 388 | 12 | 9 | M6 | 422 | 435 |
| 64005-2-4037 | 400 | 540 | 98,0 | 417 | 12 | 9 | M8 | 500 | 490 |
| 64006-2-4037 | 420 ⁽¹⁾ | 576 | 94,0 | 439 | 14 | 11 | M8 | 560 | 535 |
| 64007-2-4037 | 450 ⁽¹⁾ | 576 | 100,0 | 465 | 14 | 11 | M8 | 560 | 535 |

subject to alterations

⁽¹⁾ Use guard grille 63978-2-4039 to mount the axial fan



- **Material:** sheet steel, plastic coated in RAL no. 9005, black
- **Guard grilles:** see page 348

Possible mounting

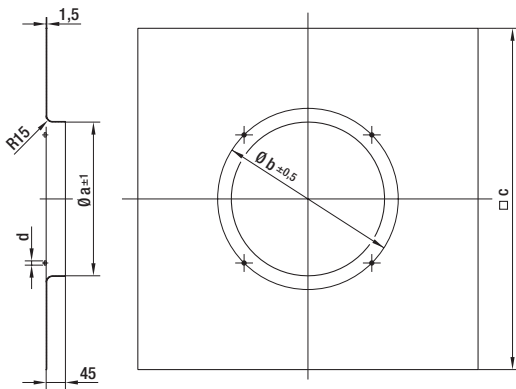
ebm-papst • Mulfingen

Square wall rings with long nozzle for S-Range axial fans (for mounting directly on the nozzle side)

| Part no. | Size | a | b | c | d | e | f | h |
|--------------|------|-----|-----|-----|----|----|----|-----|
| 64011-2-4037 | 350 | 485 | 80 | 367 | 12 | 9 | 10 | 435 |
| 64020-2-4037 | 400 | 540 | 98 | 409 | 12 | 9 | 10 | 490 |
| 64001-2-4037 | 450 | 576 | 100 | 463 | 14 | 11 | 10 | 535 |

subject to alterations

Accessories



- **Material:** galvanised sheet steel

ebm-papst • Mulfingen

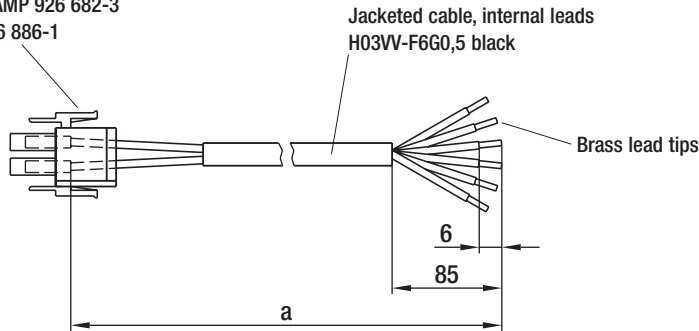
Square wall rings with short nozzle for S-Range axial fans

| Part no. | Size | a | b | c | d |
|--------------|------|-----|-----|-----|----|
| 35222-2-4037 | 350 | 358 | 422 | 795 | M6 |
| 35223-2-4037 | 400 | 400 | 468 | 840 | M8 |
| 35224-2-4037 | 420 | 426 | 500 | 850 | M8 |
| 35225-2-4037 | 450 | 452 | 515 | 850 | M8 |

subject to alterations

Accessories

AMP-Universal-Mate-N-Lok suitable for:
connector shell AMP 926 682-3
plug pin AMP 926 886-1



- **Suitable for:** D2E 140 -HR
D2E 146 -HR
D2E 146 -HS
D2E 146 -HT

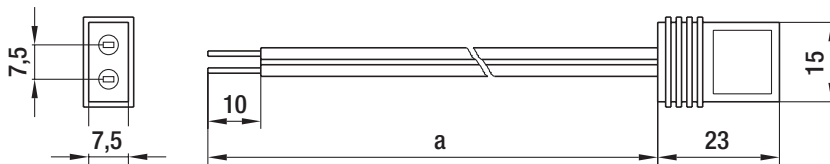
- **Plug assignment:**
1 = Step 1 (white)
2 = Step 2 (red)
3 = Step 3 (grey)
4 = Step 4 (black)
5 = N (blue)
6 = PE (green / yellow)

ebm-papst • Muldingen

Lead connections for centrifugal blowers

| Part no. | a |
|--------------|------|
| 21956-4-1040 | 300 |
| 21957-4-1040 | 450 |
| 21958-4-1040 | 650 |
| 21959-4-1040 | 1000 |

subject to alterations



- **Plug connection:**
2.8 x 0.5 mm

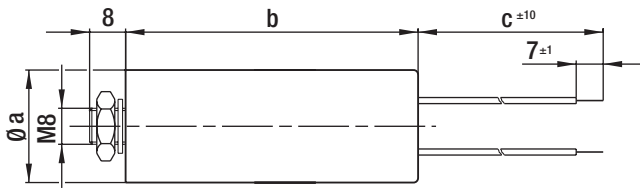
ebm-papst • Muldingen

Lead connections for axial fans (with plug connector)

| Part no. | Size | a |
|--------------|-----------|------|
| 01434-4-6711 | 142 / 143 | 610 |
| 01477-4-6711 | 142 / 143 | 1000 |
| 01505-4-6711 | 142 / 143 | 2000 |

subject to alterations

Accessories



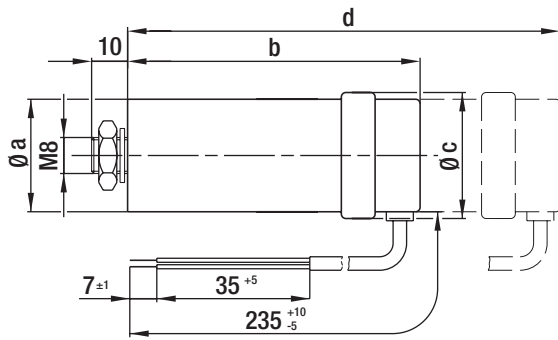
- **Material:** housing made of thermoplast
- **Connection lead:** multi-lead PVC cable 0.5 mm (16 x 0.2 mm² with brass lead tips)
- **Approval:** VDE according to DIN EN 60252 (VDE 0560/8)
- **Calculated life time:**
400 V; -25..+85 °C; 30,000 hrs; class A
450 V; -25..+85 °C; 10,000 hrs; class B

ebm-papst • Mulfingen

MKP motor capacitors (without fuse)

| Part no. | Capacity | a | b (max.) | c |
|--------------|----------|-------|----------|-----|
| 02100-4-7320 | 1,0 µF | 25-28 | 58 | 235 |
| 99282-4-7320 | 1,5 µF | 25-28 | 58 | 235 |
| 99283-4-7320 | 2,0 µF | 25-28 | 58 | 235 |
| 02103-4-7320 | 2,5 µF | 25-28 | 58 | 235 |
| 68462-4-7320 | 3,0 µF | 25-28 | 58 | 235 |
| 99284-4-7320 | 4,0 µF | 28-32 | 58 | 235 |
| 02101-4-7320 | 5,0 µF | 30-36 | 58 | 235 |
| 99285-4-7320 | 6,0 µF | 30-36 | 70 | 235 |
| 66788-4-7320 | 7,0 µF | 30-36 | 70 | 100 |
| 99286-4-7320 | 8,0 µF | 35-40 | 72 | 235 |
| 99287-4-7320 | 10,0 µF | 35-40 | 72 | 200 |
| 30457-4-7320 | 14,0 µF | 40-45 | 92 | 150 |
| 90025-4-7320 | 25,0 µF | 40 | 95 | 235 |

subject to alterations



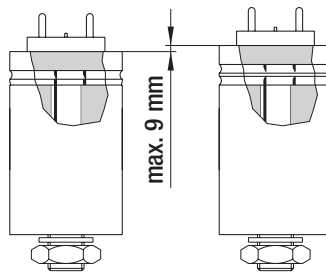
- **Material:** plastic cap, aluminium cup
- **Designation:** FPU or P2 according to IEC 252 (non-flammable, non-explosive, circuit-breaking)
- **Approval:** VDE according to DIN EN 60252 (VDE 0560/8)
- **Calculated life time:**
 420 V; -25...+85 °C; 30,000 hrs; class A
 470 V; -25...+85 °C; 10,000 hrs; class B
 500 V; -25...+85 °C; 3,000 hrs; class C

ebm-papst • Muldingen

MKP motor capacitors (with fuse)

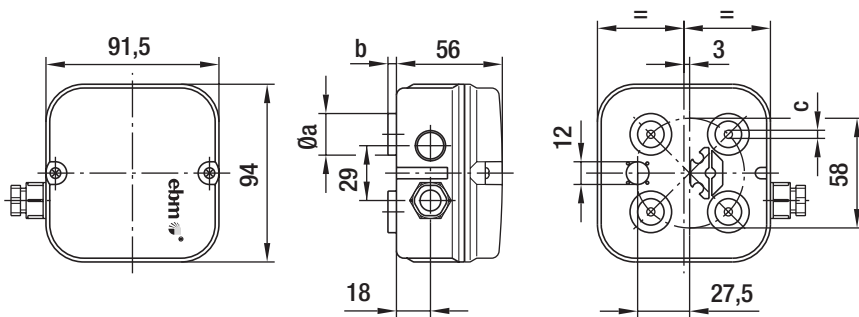
| Part no. | Capacity | a | b (max.) | c | d (max.) |
|--------------|----------|-------|----------|----|----------|
| 02151-4-7320 | 1,0 µF | 25-30 | 77 | 28 | 92 |
| 02155-4-7320 | 1,5 µF | 25 | 77 | 28 | 92 |
| 02156-4-7320 | 2,0 µF | 25 | 77 | 28 | 92 |
| 02159-4-7320 | 2,5 µF | 30 | 71 | 33 | 92 |
| 02160-4-7320 | 3,0 µF | 30 | 71 | 33 | 92 |
| 02161-4-7320 | 4,0 µF | 25-30 | 104 | 28 | 92 |
| 02162-4-7320 | 5,0 µF | 25-30 | 104 | 28 | 104 |
| 02163-4-7320 | 6,0 µF | 30 | 101 | 33 | 110 |
| 02164-4-7320 | 7,0 µF | 30-35 | 101 | 33 | 110 |
| 02165-4-7320 | 8,0 µF | 30-35 | 102 | 33 | 111 |
| 02166-4-7320 | 10,0 µF | 35 | 96 | 38 | 110 |
| 90026-4-7320 | 14,0 µF | 40 | 130 | 48 | 139 |
| 02170-4-7320 | 25,0 µF | 40-45 | 116 | 48 | 130 |

subject to alterations



- **Pull-off protector:** The housing expands by max. 9mm. The protector responds to overload by the generated excess pressure snapping off the internal lead in a predetermined breaking point.
- **Mounting:** d is the overall dimension of the capacitor which has to be taken into account when mounting the part. The capacitor design, however, depends on the manufacturer. The expansion (9mm) is either added to dimension b, or it is already integrated in the capacitor.

Accessories



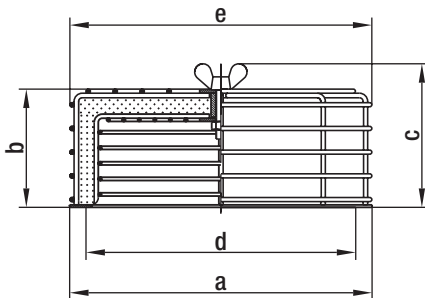
- **Description:** Two-piece terminal box for AC motors of size 068 or 074, terminal strip with 4- or 7-pole. Suitable for installation of capacitor with 10 µF max.
- **Material:** ABS
- **Type of protection:** IP54

ebm-papst • Muldingen

Terminal box

| Part no. | AC motor | a | b | c |
|--------------|--------------|---------|------|-----|
| 64442-1-7612 | 068 (4-pole) | 22 | 5,0 | 4,3 |
| 64444-1-7612 | 068 (7-pole) | 22 | 5,0 | 4,3 |
| 64443-1-7612 | 074 (4-pole) | 12x14,5 | 10,5 | 5,5 |
| 64445-1-7612 | 074 (7-pole) | 12x14,5 | 10,5 | 5,5 |

subject to alterations



- **Material:** steel wire / sheet steel, plastic coated in RAL no. 9005, black
- **Filter:** Viledon filter type R: PSB / 29 OS (according to DIN 24185)
separation capacity: < 86 %
efficiency: < 20 %
dust binding capacity: 650 g/m²

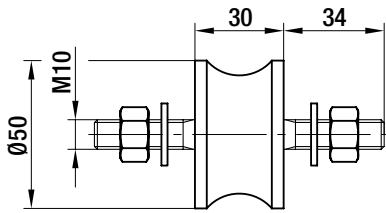
ebm-papst • Muldingen

Air filter for centrifugal blowers (with die-cast aluminium housing)

| Part no. | Size | a | b | c | d | e | Spare filter |
|--------------|-----------------|-----|----|----|---------|-----|--------------|
| 95777-1-5171 | 108 / 120 | 142 | 66 | 83 | 118-132 | 145 | 95779-1-5171 |
| 95778-1-5171 | 140 / 146 / 160 | 185 | 74 | 91 | 158-175 | 185 | 95780-1-5171 |
| 95347-1-5171 | 180 | 210 | 74 | 91 | 194 | 185 | 95780-1-5171 |

subject to alterations

Accessories



- **Material:** element made of rubber, 40° Shore
- **Delivery (1 set) includes:**
4 elements, 8 hexagon nuts M10, galvanised (DIN EN ISO 4032-M10-10) and 8 plain washers, galvanised (DIN EN ISO 7091-10-100HV)
- **Note:** the vibration-absorbing elements may only be exposed to pressure or shearing strain, yet tensile load has to be avoided.

ebm-papst • Mulfingen

Anti-vibration mount for backward curved centrifugal fans (Ø 500 - Ø 630)

Part no.

58000-1-5164

subject to alterations