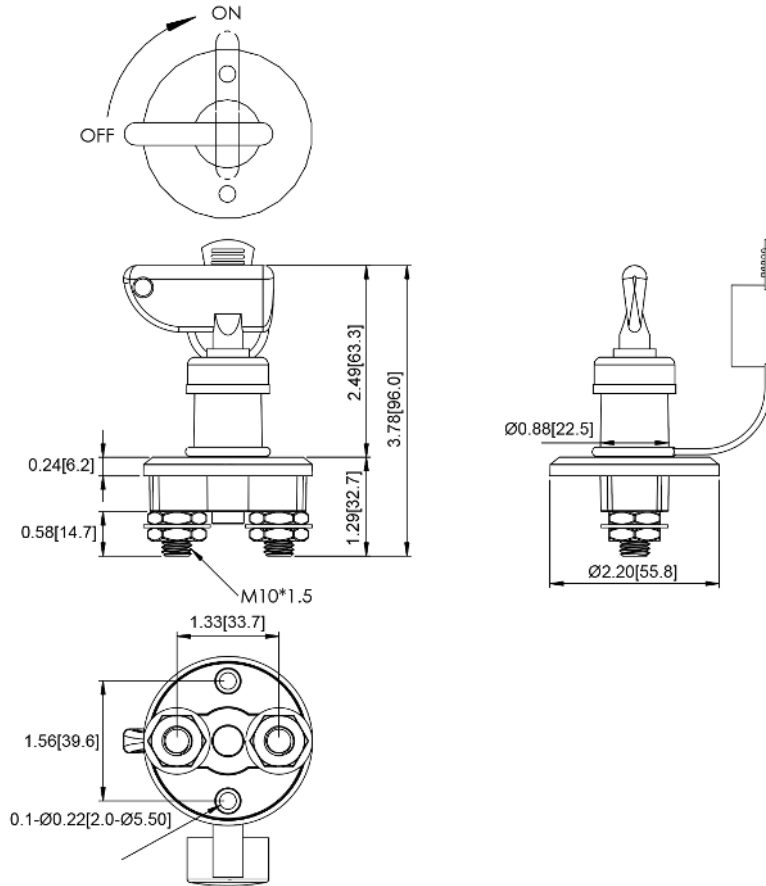
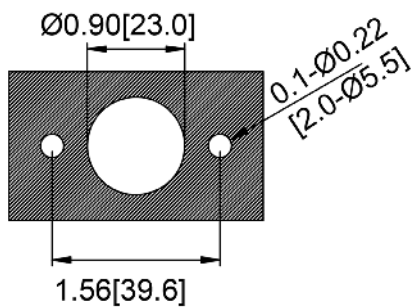


Mechanical Dimensions: Inches [mm]

Tolerances ± 0.012 [0.3] Unless Otherwise Specified

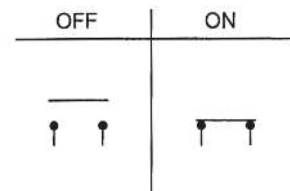


Mounting Hole



Circuit Diagram

SPST OFF-ON



Electrical Specifications

Continuous Rating	300A 12V DC
Intermittent Rating	800A

Material Specifications

Housing	Nitrile Butadiene Rubber
Terminals Contacts	Copper Alloy
Actuator	POM

Key is only removable in the Off position

Rev	Date of issue	Revision Notes	Designed	Approved
A	11-16-2022	Initial Drawing	RC	OF