

100/1000 Base T Gigabit LAN Filter Module

AGTA-2401BS

- Ethernet based LAN, WAN and other networking applications
- Cw/w: 25PF Typ @ 100KHz, 200mV
- LL: 0.5μH Max @ 100KHz, 200mV
- DCR: 0.9Ω Max
- Operating Temp: 0°C to 70°C



Electrical Specifications @ 25°C

OCL(μH Min) @ 100kHz, 200mV With 8mA DC Bias	Turns Ratio chip: cable (±5%)	Return Loss (dB Min)				
		Insertion Loss (dB Max)	1-30MHz	40MHz	50MHz	60-80MHz
350	1CT:1CT	-1.0	-18	-14.4	-13.1	-12

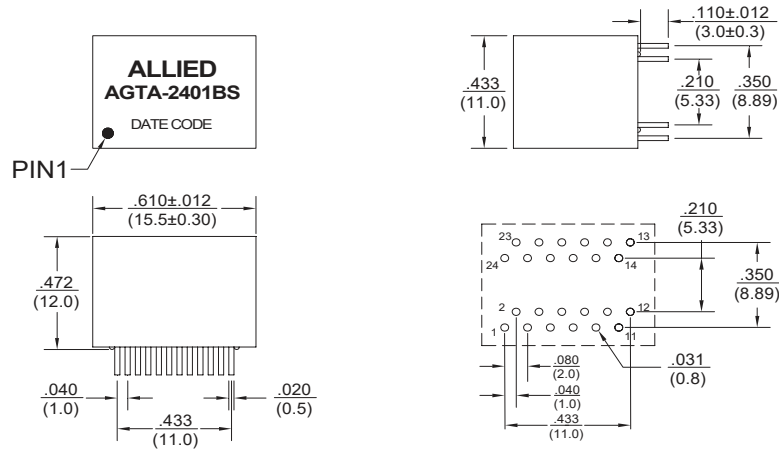
Electrical Specifications @ 25°C

Common Mode Rejection (dB Min)			Cross Talk (dB Min)		Isolation HI-POT (Vrms)
30MHz	60MHz	100MHz	30MHz	60-100MHz	
-40	-35	-30	-42	-35	1500

All specifications subject to change without notice.

MECHANICAL

Dimensions: $\frac{\text{inch}}{\text{mm}}$



Unless otherwise specified, all tolerances are ±.010 (0.25)

SCHEMATICS

